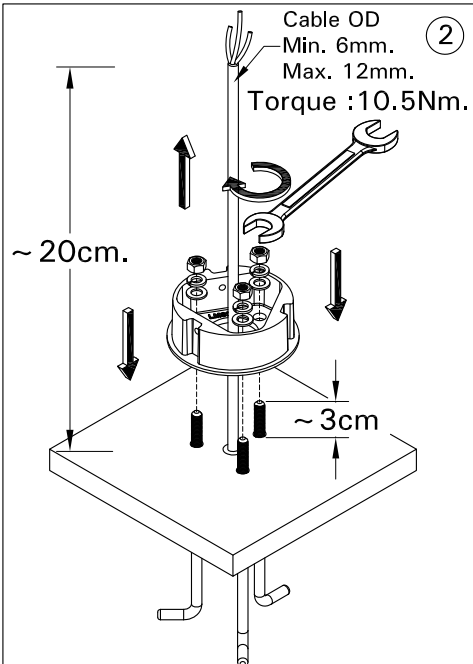
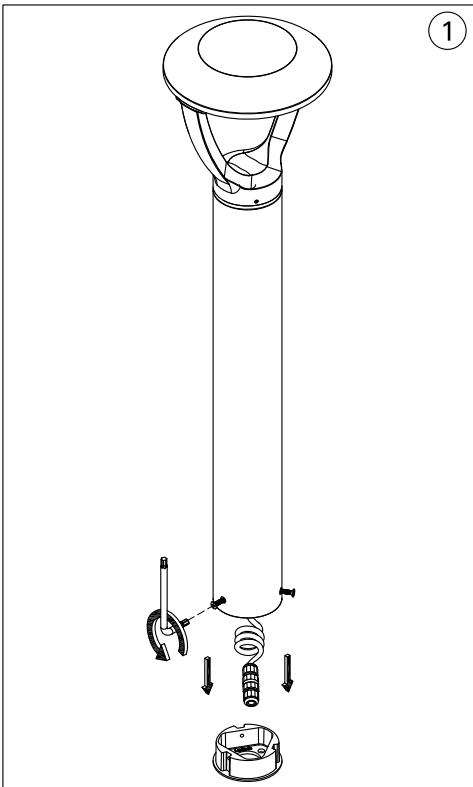
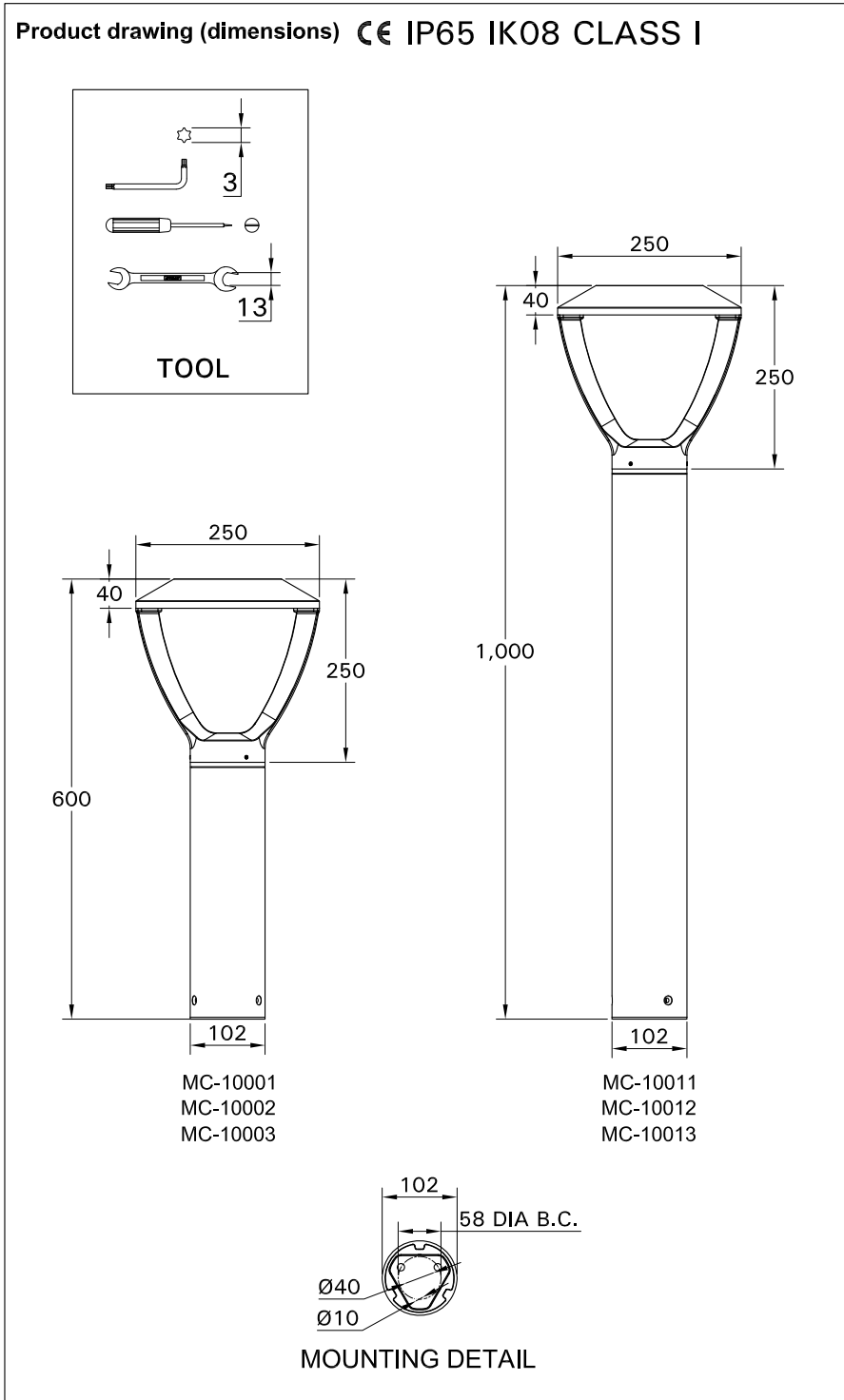


**For Installation of Macaron 1,2 bollard.
Model. MC-10001,MC-10002,MC-10003,MC-10011,MC-10012 and MC-10013**



- **LIGMAN standard products are supplied with the control gear 220-240V 50/60Hz. The control gear for other voltages and frequencies is available upon request, please consult us for more details.**
 - **LIGMAN luminaires are designed to conform IEC 60598 2-1 standard.**
- Technical amendments and modifications techniques reserved.**

Ligman Lighting

Europe Headquarters
 Ligman Europe s.r.o.
 VGP Park Ustí nad Labem, P 2
 Prestanov 113
 403 17 Prestanov
 Czech Republic
 Tel. +420 608 740 504 | sales.cz@ligman.com

Thailand Headquarters
 Ligman Lighting Co., Ltd.
 17/2 Moo 4, Monthong, Bangnampreaw
 Chachoengsao 24150 Thailand
 Tel : +66 (2) 7339140
 info@ligman.com

Ligman SAS France
 7 rue Antoine Becquerel
 Centre d'activités Triasis
 31140, Launaguet
 Tel: +33 5 61 70 24 62
 sales.fr@ligman.com

