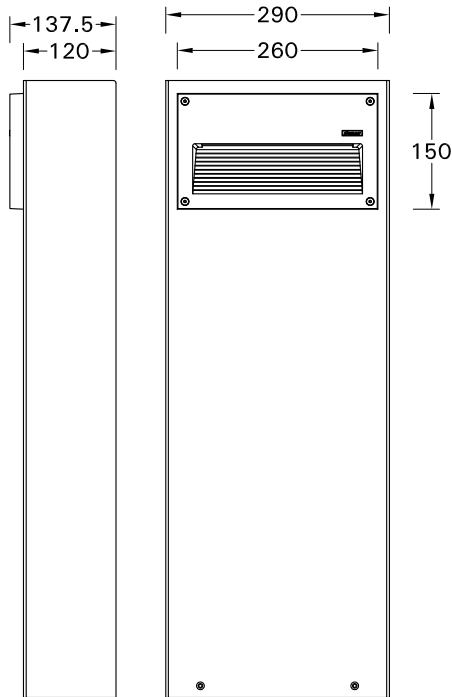
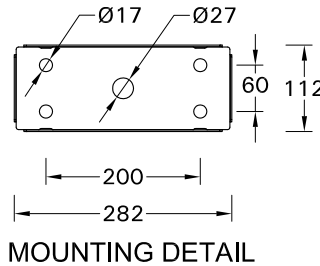
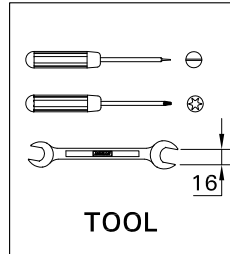


## For Installation of Rado 2 Bollard LED. Model. RA-10772

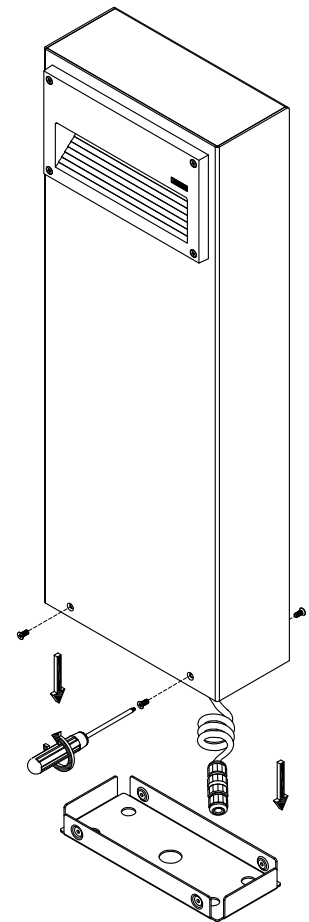
### Product drawing (dimensions)



### CE IP65 IK09 CLASS I



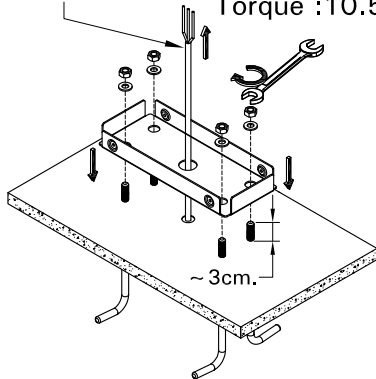
①



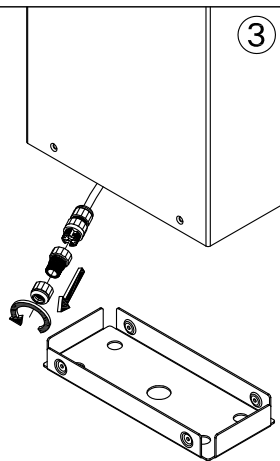
Cable OD  
Min. 6mm.  
Max. 10mm.

②

Torque :10.5Nm.



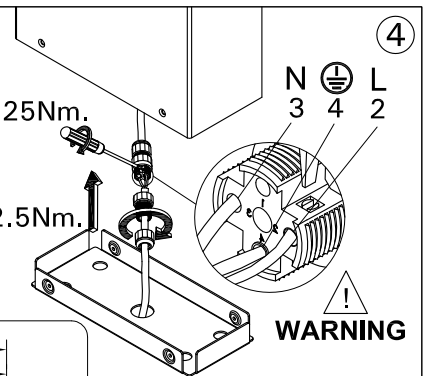
③



④

Torque :0.25Nm.

Torque :2.5Nm.



CABLE SIZE : 3x1.0mm<sup>2</sup>

Switch off mains power supply  
before joining the connectors

- LIGMAN standard products are supplied with the control gear 220-240V 50/60Hz. The control gear for other voltages and frequencies is available upon request, please consult us for more details.
- LIGMAN luminaires are designed to conform IEC 60598 2-1 standard.

Technical amendments and modifications techniques reserved.

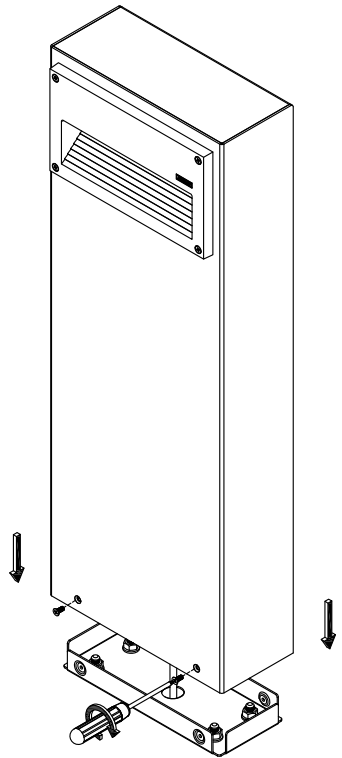
## Ligman Lighting

**Europe Headquarters**  
Ligman Europe s.r.o.  
VGP Park Usti nad Labem, P 2  
Prestanov 113  
403 17 Prestanov  
Czech Republic  
Tel. +420 608 740 504 | sales.cz@ligman.com

**Thailand Headquarters**  
Ligman Lighting Co., Ltd.  
17/2 Moo 4, Monthong, Bangnampreaw  
Chachoengsao 24150 Thailand  
Tel : +66 (2) 7339140  
info@ligman.com

**Ligman SAS France**  
7 rue Antoine Becquerel  
Centre d'activités Triasis  
31140, Launaguet  
Tel: +33 5 61 70 24 62  
sales.fr@ligman.com

5



Torque :3.0Nm.

6

