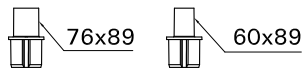
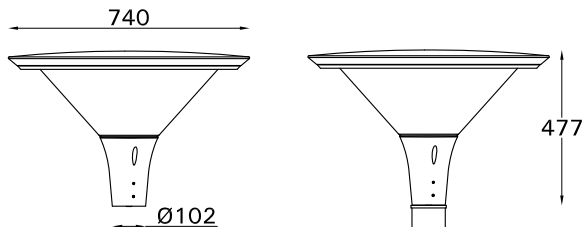


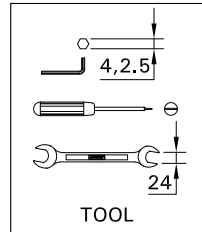
**For Installation of Aberdeen post top LED.  
Model. ABA-20011**

**Product drawing (dimensions)**

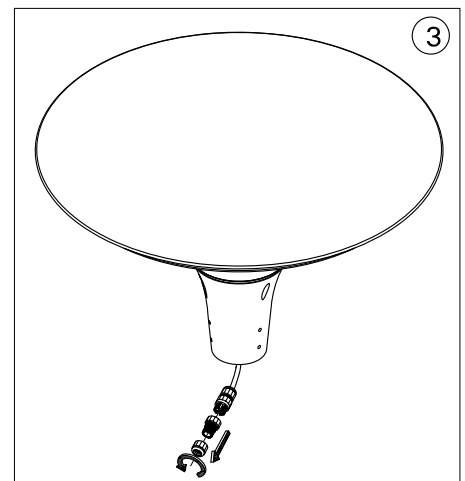
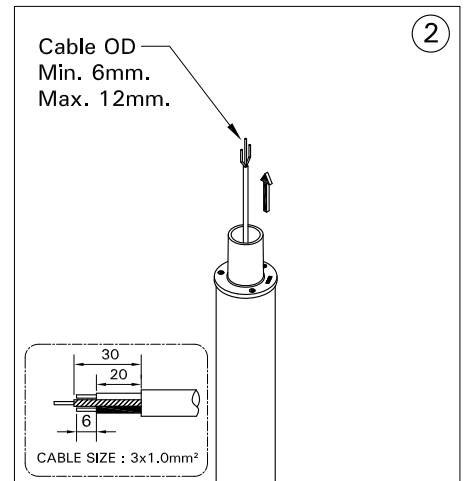
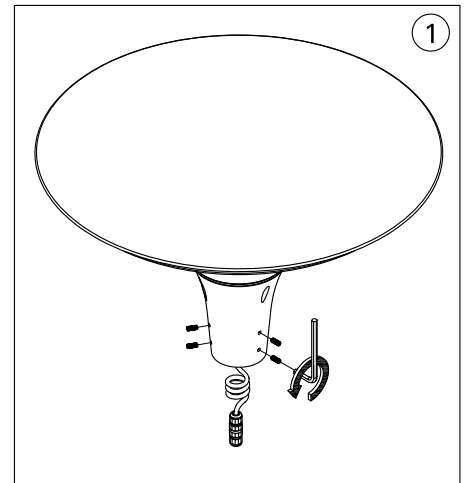
CE IP65 IK08 CLASS I



SPIGOT POST TOP



ABA-20011



- **LIGMAN standard products are supplied with the control gear 220-240V 50/60Hz.**  
The control gear for other voltages and frequencies is available upon request, please consult us for more details.
- **LIGMAN luminaires are designed to conform IEC 60598 2-3 standard.**

Technical amendments and modifications techniques reserved.

## Ligman Lighting

**Europe Headquarters**  
Ligman Europe s.r.o.  
VGP Park Ustí nad Labem, P 2  
Prestanov 113  
403 17 Prestanov  
Czech Republic  
Tel. +420 608 740 504 | sales.cz@ligman.com

**Thailand Headquarters**  
Ligman Lighting Co., Ltd.  
17/2 Moo 4, Monthong, Bangnampreaw  
Chachoengsao 24150 Thailand  
Tel : +66 (2) 7339140  
info@ligman.com

**Ligman SAS France**  
7 rue Antoine Becquere  
Centre d'activités Triasis  
31140, Launaguet  
Tel: +33 5 61 70 24 62  
sales.fr@ligman.com

