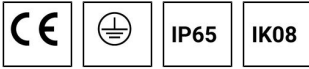
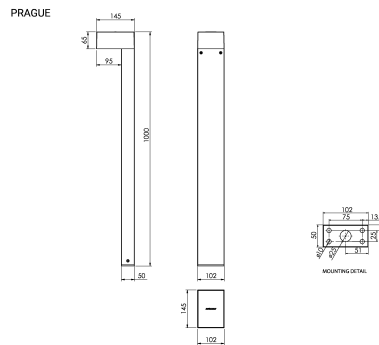


**PRAGUE 1 (PRA-10002)**

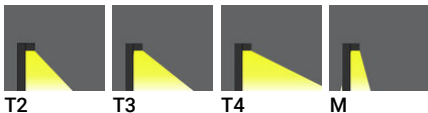


**Структура светильника**

- Корпус из литого алюминия, рама и столб из экструдированного алюминия предварительно обработаны перед нанесением порошкового покрытия, что обеспечивает высокую коррозионную стойкость
- Одинарный кабельный ввод
- Одинарный разъем IP68 поставляется с наружным кабелем 3x1,0 кв.
- Крепеж из нержавеющей стали класса 316
- Прочный уплотнитель из силиконовой резины
- Прозрачное закалённое стекло
- Высокоэффективная оптика из ПММА
- Встроенный механизм управления



**Символ цвета**



**Цвет товара**



-02 Тёмно-серый RAL 7043  
 -01 Черный RAL 9011  
 -03 Белый RAL 9003  
 -06 Бронзовый RAL 6014



-05 Матовый серебряный RAL 9006

**Описание товара**

102x50 mm - 1000 mm

**Техническая информация**

Лампа	4 LED
Тип лампы	LED
Тип диммирования	On/Off
ЕЕС	A+
Материал	Aluminium
Вес	3.0 kg

Светильник	
Мощность	7.6 W
Люмен	568 - 855 lm
Эффективность	75 - 113 lm/W
ССТ	3000K, 4000K
Ток возбуждения	500mA

Мы оставляем за собой право вносить технические и конструктивные изменения.

07:21, 16-01-2020

<https://www.ligman.com/ru/prague-1-pra-10002/>

Европа  
 LIGMAN EUROPE s.r.o.  
 VGP Park Ústí nad Labem  
 P 2 120  
 40317, Přestanov  
 Czech Republic  
 +420 477 071 500  
[sales.cz@ligman.com](mailto:sales.cz@ligman.com)

Страны азиатско-тихоокеанского региона  
 LIGMAN Lighting Co.,Ltd.  
 17/2 Moo4 Monthong  
 Bangnampreaw  
 24150, Chachoengsao  
 Thailand  
 +66 2 108 6700  
[info@ligman.com](mailto:info@ligman.com)

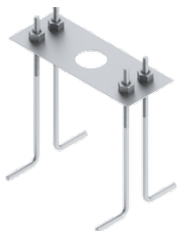
**PRAGUE 1** (PRA-10002)

Оптика	T2 [129°x49°], T3 [112°x80°], T4 [89°x60°], M [30°], W [56°], EW [99°x102°], ME [122°x50°]
--------	---

---

**PRAGUE 1** (PRA-10002)Аксессуары

---



---

Anchor bolt  
**A12391**

---

**PRAGUE 1 (PRA-10002)**

Variant reference	Variant name	Люмен (Светильник)
PRA-10002-T2-W30-ND-02	PRAGUE 1 - PRA-10002 - 4 LED - 7.6 W - 129°x49° - 3000K - On/Off - Dark Grey	613 lm
PRA-10002-T2-W40-ND-02	PRAGUE 1 - PRA-10002 - 4 LED - 7.6 W - 129°x49° - 4000K - On/Off - Dark Grey	656 lm
PRA-10002-T2-W30-ND-01	PRAGUE 1 - PRA-10002 - 4 LED - 7.6 W - 129°x49° - 3000K - On/Off - Black	613 lm
PRA-10002-T2-W40-ND-01	PRAGUE 1 - PRA-10002 - 4 LED - 7.6 W - 129°x49° - 4000K - On/Off - Black	656 lm
PRA-10002-T2-W30-ND-03	PRAGUE 1 - PRA-10002 - 4 LED - 7.6 W - 129°x49° - 3000K - On/Off - White	613 lm
PRA-10002-T2-W40-ND-03	PRAGUE 1 - PRA-10002 - 4 LED - 7.6 W - 129°x49° - 4000K - On/Off - White	656 lm
PRA-10002-T2-W30-ND-06	PRAGUE 1 - PRA-10002 - 4 LED - 7.6 W - 129°x49° - 3000K - On/Off - Bronze	613 lm
PRA-10002-T2-W40-ND-06	PRAGUE 1 - PRA-10002 - 4 LED - 7.6 W - 129°x49° - 4000K - On/Off - Bronze	656 lm
PRA-10002-T2-W30-ND-05	PRAGUE 1 - PRA-10002 - 4 LED - 7.6 W - 129°x49° - 3000K - On/Off - Matt Silver	613 lm
PRA-10002-T2-W40-ND-05	PRAGUE 1 - PRA-10002 - 4 LED - 7.6 W - 129°x49° - 4000K - On/Off - Matt Silver	656 lm
PRA-10002-T3-W30-ND-06	PRAGUE 1 - PRA-10002 - 4 LED - 7.6 W - 112°x80° - 3000K - On/Off - Bronze	568 lm
PRA-10002-T3-W40-ND-06	PRAGUE 1 - PRA-10002 - 4 LED - 7.6 W - 112°x80° - 4000K - On/Off - Bronze	607 lm
PRA-10002-T3-W30-ND-03	PRAGUE 1 - PRA-10002 - 4 LED - 7.6 W - 112°x80° - 3000K - On/Off - White	568 lm
PRA-10002-T3-W40-ND-03	PRAGUE 1 - PRA-10002 - 4 LED - 7.6 W - 112°x80° - 4000K - On/Off - White	607 lm
PRA-10002-T3-W30-ND-02	PRAGUE 1 - PRA-10002 - 4 LED - 7.6 W - 112°x80° - 3000K - On/Off - Dark Grey	568 lm
PRA-10002-T3-W40-ND-02	PRAGUE 1 - PRA-10002 - 4 LED - 7.6 W - 112°x80° - 4000K - On/Off - Dark Grey	607 lm
PRA-10002-T3-W30-ND-01	PRAGUE 1 - PRA-10002 - 4 LED - 7.6 W - 112°x80° - 3000K - On/Off - Black	568 lm
PRA-10002-T3-W40-ND-01	PRAGUE 1 - PRA-10002 - 4 LED - 7.6 W - 112°x80° - 4000K - On/Off - Black	607 lm
PRA-10002-T3-W30-ND-05	PRAGUE 1 - PRA-10002 - 4 LED - 7.6 W - 112°x80° - 3000K - On/Off - Matt Silver	568 lm
PRA-10002-T3-W40-ND-05	PRAGUE 1 - PRA-10002 - 4 LED - 7.6 W - 112°x80° - 4000K - On/Off - Matt Silver	607 lm
PRA-10002-T4-W40-ND-01	PRAGUE 1 - PRA-10002 - 4 LED - 7.6 W - 89°x60° - 4000K - On/Off - Black	617 lm
PRA-10002-T4-W30-ND-01	PRAGUE 1 - PRA-10002 - 4 LED - 7.6 W - 89°x60° - 3000K - On/Off - Black	577 lm
PRA-10002-T4-W40-ND-06	PRAGUE 1 - PRA-10002 - 4 LED - 7.6 W - 89°x60° - 4000K - On/Off - Bronze	617 lm
PRA-10002-T4-W30-ND-06	PRAGUE 1 - PRA-10002 - 4 LED - 7.6 W - 89°x60° - 3000K - On/Off - Bronze	577 lm
PRA-10002-T4-W40-ND-02	PRAGUE 1 - PRA-10002 - 4 LED - 7.6 W - 89°x60° - 4000K - On/Off - Dark Grey	617 lm
PRA-10002-T4-W30-ND-02	PRAGUE 1 - PRA-10002 - 4 LED - 7.6 W - 89°x60° - 3000K - On/Off - Dark Grey	577 lm
PRA-10002-T4-W40-ND-03	PRAGUE 1 - PRA-10002 - 4 LED - 7.6 W - 89°x60° - 4000K - On/Off - White	617 lm
PRA-10002-T4-W30-ND-03	PRAGUE 1 - PRA-10002 - 4 LED - 7.6 W - 89°x60° - 3000K - On/Off - White	577 lm
PRA-10002-T4-W40-ND-05	PRAGUE 1 - PRA-10002 - 4 LED - 7.6 W - 89°x60° - 4000K - On/Off - Matt Silver	617 lm
PRA-10002-T4-W30-ND-05	PRAGUE 1 - PRA-10002 - 4 LED - 7.6 W - 89°x60° - 3000K - On/Off - Matt Silver	577 lm
PRA-10002-M-W30-ND-02	PRAGUE 1 - PRA-10002 - 4 LED - 7.6 W - 30° - 3000K - On/Off - Dark Grey	799 lm
PRA-10002-M-W40-ND-02	PRAGUE 1 - PRA-10002 - 4 LED - 7.6 W - 30° - 4000K - On/Off - Dark Grey	855 lm
PRA-10002-M-W30-ND-03	PRAGUE 1 - PRA-10002 - 4 LED - 7.6 W - 30° - 3000K - On/Off - White	799 lm
PRA-10002-M-W40-ND-03	PRAGUE 1 - PRA-10002 - 4 LED - 7.6 W - 30° - 4000K - On/Off - White	855 lm
PRA-10002-M-W30-ND-05	PRAGUE 1 - PRA-10002 - 4 LED - 7.6 W - 30° - 3000K - On/Off - Matt Silver	799 lm
PRA-10002-M-W40-ND-05	PRAGUE 1 - PRA-10002 - 4 LED - 7.6 W - 30° - 4000K - On/Off - Matt Silver	855 lm
PRA-10002-M-W30-ND-01	PRAGUE 1 - PRA-10002 - 4 LED - 7.6 W - 30° - 3000K - On/Off - Black	799 lm
PRA-10002-M-W40-ND-01	PRAGUE 1 - PRA-10002 - 4 LED - 7.6 W - 30° - 4000K - On/Off - Black	855 lm
PRA-10002-M-W30-ND-06	PRAGUE 1 - PRA-10002 - 4 LED - 7.6 W - 30° - 3000K - On/Off - Bronze	799 lm
PRA-10002-M-W40-ND-06	PRAGUE 1 - PRA-10002 - 4 LED - 7.6 W - 30° - 4000K - On/Off - Bronze	855 lm
PRA-10002-W-W30-ND-03	PRAGUE 1 - PRA-10002 - 4 LED - 7.6 W - 56° - 3000K - On/Off - White	752 lm
PRA-10002-W-W40-ND-03	PRAGUE 1 - PRA-10002 - 4 LED - 7.6 W - 56° - 4000K - On/Off - White	804 lm
PRA-10002-W-W30-ND-01	PRAGUE 1 - PRA-10002 - 4 LED - 7.6 W - 56° - 3000K - On/Off - Black	752 lm
PRA-10002-W-W40-ND-01	PRAGUE 1 - PRA-10002 - 4 LED - 7.6 W - 56° - 4000K - On/Off - Black	804 lm
PRA-10002-W-W30-ND-02	PRAGUE 1 - PRA-10002 - 4 LED - 7.6 W - 56° - 3000K - On/Off - Dark Grey	752 lm
PRA-10002-W-W40-ND-02	PRAGUE 1 - PRA-10002 - 4 LED - 7.6 W - 56° - 4000K - On/Off - Dark Grey	804 lm
PRA-10002-W-W30-ND-05	PRAGUE 1 - PRA-10002 - 4 LED - 7.6 W - 56° - 3000K - On/Off - Matt Silver	752 lm
PRA-10002-W-W40-ND-05	PRAGUE 1 - PRA-10002 - 4 LED - 7.6 W - 56° - 4000K - On/Off - Matt Silver	804 lm
PRA-10002-W-W30-ND-06	PRAGUE 1 - PRA-10002 - 4 LED - 7.6 W - 56° - 3000K - On/Off - Bronze	752 lm
PRA-10002-W-W40-ND-06	PRAGUE 1 - PRA-10002 - 4 LED - 7.6 W - 56° - 4000K - On/Off - Bronze	804 lm
PRA-10002-EW-W30-ND-01	PRAGUE 1 - PRA-10002 - 4 LED - 7.6 W - 99°x102° - 3000K - On/Off - Black	624 lm
PRA-10002-EW-W40-ND-01	PRAGUE 1 - PRA-10002 - 4 LED - 7.6 W - 99°x102° - 4000K - On/Off - Black	667 lm
PRA-10002-EW-W30-ND-05	PRAGUE 1 - PRA-10002 - 4 LED - 7.6 W - 99°x102° - 3000K - On/Off - Matt Silver	624 lm
PRA-10002-EW-W40-ND-05	PRAGUE 1 - PRA-10002 - 4 LED - 7.6 W - 99°x102° - 4000K - On/Off - Matt Silver	667 lm
PRA-10002-EW-W30-ND-06	PRAGUE 1 - PRA-10002 - 4 LED - 7.6 W - 99°x102° - 3000K - On/Off - Bronze	624 lm
PRA-10002-EW-W40-ND-06	PRAGUE 1 - PRA-10002 - 4 LED - 7.6 W - 99°x102° - 4000K - On/Off - Bronze	667 lm
PRA-10002-EW-W30-ND-03	PRAGUE 1 - PRA-10002 - 4 LED - 7.6 W - 99°x102° - 3000K - On/Off - White	624 lm
PRA-10002-EW-W40-ND-03	PRAGUE 1 - PRA-10002 - 4 LED - 7.6 W - 99°x102° - 4000K - On/Off - White	667 lm

Мы оставляем за собой право вносить технические и конструктивные изменения.

07:21, 16-01-2020

<https://www.ligman.com/ru/prague-1-pra-10002/>

Европа  
LIGMAN EUROPE s.r.o.  
VGP Park Ústí nad Labem  
P 2 120  
40317, Přestanov  
Czech Republic  
+420 477 071 500  
[sales.cz@ligman.com](mailto:sales.cz@ligman.com)

Страны азиатско-тихоокеанского региона  
LIGMAN Lighting Co.,Ltd.  
17/2 Moo4 Monthong  
Bangnampreaw  
24150, Chachoengsao  
Thailand  
+66 2 108 6700  
[info@ligman.com](mailto:info@ligman.com)

## PRAGUE 1 (PRA-10002)

PRA-10002-EW-W30-ND-02	PRAGUE 1 - PRA-10002 - 4 LED - 7.6 W - 99°x102° - 3000K - On/Off - Dark Grey	624 lm
PRA-10002-EW-W40-ND-02	PRAGUE 1 - PRA-10002 - 4 LED - 7.6 W - 99°x102° - 4000K - On/Off - Dark Grey	667 lm
PRA-10002-ME-W30-ND-02	PRAGUE 1 - PRA-10002 - 4 LED - 7.6 W - 122°x50° - 3000K - On/Off - Dark Grey	573 lm
PRA-10002-ME-W40-ND-02	PRAGUE 1 - PRA-10002 - 4 LED - 7.6 W - 122°x50° - 4000K - On/Off - Dark Grey	613 lm
PRA-10002-ME-W30-ND-03	PRAGUE 1 - PRA-10002 - 4 LED - 7.6 W - 122°x50° - 3000K - On/Off - White	573 lm
PRA-10002-ME-W40-ND-03	PRAGUE 1 - PRA-10002 - 4 LED - 7.6 W - 122°x50° - 4000K - On/Off - White	613 lm
PRA-10002-ME-W30-ND-05	PRAGUE 1 - PRA-10002 - 4 LED - 7.6 W - 122°x50° - 3000K - On/Off - Matt Silver	573 lm
PRA-10002-ME-W40-ND-05	PRAGUE 1 - PRA-10002 - 4 LED - 7.6 W - 122°x50° - 4000K - On/Off - Matt Silver	613 lm
PRA-10002-ME-W30-ND-01	PRAGUE 1 - PRA-10002 - 4 LED - 7.6 W - 122°x50° - 3000K - On/Off - Black	573 lm
PRA-10002-ME-W40-ND-01	PRAGUE 1 - PRA-10002 - 4 LED - 7.6 W - 122°x50° - 4000K - On/Off - Black	613 lm
PRA-10002-ME-W30-ND-06	PRAGUE 1 - PRA-10002 - 4 LED - 7.6 W - 122°x50° - 3000K - On/Off - Bronze	573 lm
PRA-10002-ME-W40-ND-06	PRAGUE 1 - PRA-10002 - 4 LED - 7.6 W - 122°x50° - 4000K - On/Off - Bronze	613 lm