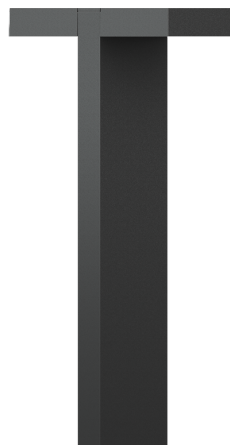


LIGHT LINEAR PT 2 (LI-10032)

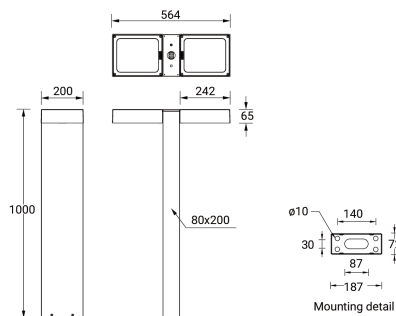


Структура светильника

- Корпус из литого алюминия и столб из экструдированного алюминия предварительно обработаны перед нанесением порошкового покрытия, что обеспечивает высокую коррозионную стойкость
- Одинарный кабельный ввод
- Одинарный разъем IP68 поставляется с наружным кабелем 3x1,0 кв.
- Крепеж из нержавеющей стали класса 316
- Прочный уплотнитель из силиконовой резины
- Высокоэффективная оптика из ПММА
- Прозрачное закалённое стекло
- Встроенный механизм управления



Light Linear PT 2



Символ цвета



T2 / T2 T3 / T2 T4 / T2

Цвет товара



- 01 - 02 - 05 - 06
 Черный Тёмно-серый М а т о в ы й Бронзовый
 RAL 9011 RAL 7043 серебряный RAL 6014
 RAL 9006



- 03
 Белый
 RAL 9003

Описание товара

200x80 mm - 1000 mm - 2 sides

Техническая информация

Лампа	24 LED
Тип лампы	LED
Тип диммирования	DALI, On/Off, 1-10V
ЕЕС	A+
Материал	Aluminium
Вес	15.8 kg

Светильник	
Мощность	108 W
Люмен	11002 - 12386 lm
Эффективность	102 - 115 lm/W
ССТ	4000K, 3000K
Ток возбуждения	700 mA
Оптика	T2 [142°x53°], T3 [141°x69°], T4 [99°x79°]

Мы оставляем за собой право вносить технические и конструктивные изменения.

12:38, 13-01-2020

<https://www.ligman.com/ru/light-linear-pt-2-li-10032/>

Европа
 LIGMAN EUROPE s.r.o.
 VGP Park Ústí nad Labem
 P 2 120
 40317, Přestanov
 Czech Republic
 +420 477 071 500
sales.cz@ligman.com

Страны азиатско-тихоокеанского региона
 LIGMAN Lighting Co.,Ltd.
 17/2 Moo4 Monthong
 Bangnampreaw
 24150, Chachoengsao
 Thailand
 +66 2 108 6700
info@ligman.com

LIGHT LINEAR PT 2 (LI-10032)

Оптика (вверх) T4 [99°x79°], T3 [141°x69°],
T2 [142°x53°]

LIGHT LINEAR PT 2 (LI-10032)

Аксессуары



Anchor bolt
A11191

Variant reference	Variant name
LI-10032-T2-T4-W40-DA-01	LIGHT LINEAR PT 2 - LI-10032 - 2 x 24 LED - 2 x 54 W - 142°x53° - 99°x79° (2 sides) - 4000K - DALI - Black
LI-10032-T2-T4-W30-DA-01	LIGHT LINEAR PT 2 - LI-10032 - 2 x 24 LED - 2 x 54 W - 142°x53° - 99°x79° (2 sides) - 3000K - DALI - Black
LI-10032-T2-T4-W40-ND-02	LIGHT LINEAR PT 2 - LI-10032 - 2 x 24 LED - 2 x 54 W - 142°x53° - 99°x79° (2 sides) - 4000K - On/Off - Dark Grey
LI-10032-T2-T4-W30-ND-02	LIGHT LINEAR PT 2 - LI-10032 - 2 x 24 LED - 2 x 54 W - 142°x53° - 99°x79° (2 sides) - 3000K - On/Off - Dark Grey
LI-10032-T2-T4-W40-DA-02	LIGHT LINEAR PT 2 - LI-10032 - 2 x 24 LED - 2 x 54 W - 142°x53° - 99°x79° (2 sides) - 4000K - DALI - Dark Grey
LI-10032-T2-T4-W30-DA-02	LIGHT LINEAR PT 2 - LI-10032 - 2 x 24 LED - 2 x 54 W - 142°x53° - 99°x79° (2 sides) - 3000K - DALI - Dark Grey
LI-10032-T2-T4-W40-DA-05	LIGHT LINEAR PT 2 - LI-10032 - 2 x 24 LED - 2 x 54 W - 142°x53° - 99°x79° (2 sides) - 4000K - DALI - Matt Silver
LI-10032-T2-T4-W30-DA-05	LIGHT LINEAR PT 2 - LI-10032 - 2 x 24 LED - 2 x 54 W - 142°x53° - 99°x79° (2 sides) - 3000K - DALI - Matt Silver
LI-10032-T2-T4-W40-ND-06	LIGHT LINEAR PT 2 - LI-10032 - 2 x 24 LED - 2 x 54 W - 142°x53° - 99°x79° (2 sides) - 4000K - On/Off - Bronze
LI-10032-T2-T4-W30-ND-06	LIGHT LINEAR PT 2 - LI-10032 - 2 x 24 LED - 2 x 54 W - 142°x53° - 99°x79° (2 sides) - 3000K - On/Off - Bronze
LI-10032-T2-T4-W40-DI-01	LIGHT LINEAR PT 2 - LI-10032 - 2 x 24 LED - 2 x 54 W - 142°x53° - 99°x79° (2 sides) - 4000K - 1-10V - Black
LI-10032-T2-T4-W30-DI-01	LIGHT LINEAR PT 2 - LI-10032 - 2 x 24 LED - 2 x 54 W - 142°x53° - 99°x79° (2 sides) - 3000K - 1-10V - Black
LI-10032-T2-T4-W40-DI-06	LIGHT LINEAR PT 2 - LI-10032 - 2 x 24 LED - 2 x 54 W - 142°x53° - 99°x79° (2 sides) - 4000K - 1-10V - Bronze
LI-10032-T2-T4-W30-DI-06	LIGHT LINEAR PT 2 - LI-10032 - 2 x 24 LED - 2 x 54 W - 142°x53° - 99°x79° (2 sides) - 3000K - 1-10V - Bronze
LI-10032-T2-T4-W40-DI-03	LIGHT LINEAR PT 2 - LI-10032 - 2 x 24 LED - 2 x 54 W - 142°x53° - 99°x79° (2 sides) - 4000K - 1-10V - White
LI-10032-T2-T4-W30-DI-03	LIGHT LINEAR PT 2 - LI-10032 - 2 x 24 LED - 2 x 54 W - 142°x53° - 99°x79° (2 sides) - 3000K - 1-10V - White
LI-10032-T2-T4-W40-DI-05	LIGHT LINEAR PT 2 - LI-10032 - 2 x 24 LED - 2 x 54 W - 142°x53° - 99°x79° (2 sides) - 4000K - 1-10V - Matt Silver
LI-10032-T2-T4-W30-DI-05	LIGHT LINEAR PT 2 - LI-10032 - 2 x 24 LED - 2 x 54 W - 142°x53° - 99°x79° (2 sides) - 3000K - 1-10V - Matt Silver
LI-10032-T2-T4-W40-ND-05	LIGHT LINEAR PT 2 - LI-10032 - 2 x 24 LED - 2 x 54 W - 142°x53° - 99°x79° (2 sides) - 4000K - On/Off - Matt Silver
LI-10032-T2-T4-W30-ND-05	LIGHT LINEAR PT 2 - LI-10032 - 2 x 24 LED - 2 x 54 W - 142°x53° - 99°x79° (2 sides) - 3000K - On/Off - Matt Silver
LI-10032-T2-T4-W40-DA-06	LIGHT LINEAR PT 2 - LI-10032 - 2 x 24 LED - 2 x 54 W - 142°x53° - 99°x79° (2 sides) - 4000K - DALI - Bronze
LI-10032-T2-T4-W30-DA-06	LIGHT LINEAR PT 2 - LI-10032 - 2 x 24 LED - 2 x 54 W - 142°x53° - 99°x79° (2 sides) - 3000K - DALI - Bronze
LI-10032-T2-T4-W40-DI-02	LIGHT LINEAR PT 2 - LI-10032 - 2 x 24 LED - 2 x 54 W - 142°x53° - 99°x79° (2 sides) - 4000K - 1-10V - Dark Grey
LI-10032-T2-T4-W30-DI-02	LIGHT LINEAR PT 2 - LI-10032 - 2 x 24 LED - 2 x 54 W - 142°x53° - 99°x79° (2 sides) - 3000K - 1-10V - Dark Grey
LI-10032-T2-T4-W40-DA-03	LIGHT LINEAR PT 2 - LI-10032 - 2 x 24 LED - 2 x 54 W - 142°x53° - 99°x79° (2 sides) - 4000K - DALI - White
LI-10032-T2-T4-W30-DA-03	LIGHT LINEAR PT 2 - LI-10032 - 2 x 24 LED - 2 x 54 W - 142°x53° - 99°x79° (2 sides) - 3000K - DALI - White
LI-10032-T2-T4-W40-ND-01	LIGHT LINEAR PT 2 - LI-10032 - 2 x 24 LED - 2 x 54 W - 142°x53° - 99°x79° (2 sides) - 4000K - On/Off - Black
LI-10032-T2-T4-W30-ND-01	LIGHT LINEAR PT 2 - LI-10032 - 2 x 24 LED - 2 x 54 W - 142°x53° - 99°x79° (2 sides) - 3000K - On/Off - Black
LI-10032-T2-T4-W40-ND-03	LIGHT LINEAR PT 2 - LI-10032 - 2 x 24 LED - 2 x 54 W - 142°x53° - 99°x79° (2 sides) - 4000K - On/Off - White
LI-10032-T2-T4-W30-ND-03	LIGHT LINEAR PT 2 - LI-10032 - 2 x 24 LED - 2 x 54 W - 142°x53° - 99°x79° (2 sides) - 3000K - On/Off - White
LI-10032-T3-T4-W40-DA-01	LIGHT LINEAR PT 2 - LI-10032 - 2 x 24 LED - 2 x 54 W - 141°x69° - 99°x79° (2 sides) - 4000K - DALI - Black
LI-10032-T3-T4-W30-DA-01	LIGHT LINEAR PT 2 - LI-10032 - 2 x 24 LED - 2 x 54 W - 141°x69° - 99°x79° (2 sides) - 3000K - DALI - Black
LI-10032-T3-T4-W40-DI-01	LIGHT LINEAR PT 2 - LI-10032 - 2 x 24 LED - 2 x 54 W - 141°x69° - 99°x79° (2 sides) - 4000K - 1-10V - Black
LI-10032-T3-T4-W30-DI-01	LIGHT LINEAR PT 2 - LI-10032 - 2 x 24 LED - 2 x 54 W - 141°x69° - 99°x79° (2 sides) - 3000K - 1-10V - Black
LI-10032-T3-T4-W40-DA-02	LIGHT LINEAR PT 2 - LI-10032 - 2 x 24 LED - 2 x 54 W - 141°x69° - 99°x79° (2 sides) - 4000K - DALI - Dark Grey
LI-10032-T3-T4-W30-DA-02	LIGHT LINEAR PT 2 - LI-10032 - 2 x 24 LED - 2 x 54 W - 141°x69° - 99°x79° (2 sides) - 3000K - DALI - Dark Grey
LI-10032-T3-T4-W40-ND-01	LIGHT LINEAR PT 2 - LI-10032 - 2 x 24 LED - 2 x 54 W - 141°x69° - 99°x79° (2 sides) - 4000K - On/Off - Black
LI-10032-T3-T4-W30-ND-01	LIGHT LINEAR PT 2 - LI-10032 - 2 x 24 LED - 2 x 54 W - 141°x69° - 99°x79° (2 sides) - 3000K - On/Off - Black
LI-10032-T3-T4-W40-ND-05	LIGHT LINEAR PT 2 - LI-10032 - 2 x 24 LED - 2 x 54 W - 141°x69° - 99°x79° (2 sides) - 4000K - On/Off - Matt Silver
LI-10032-T3-T4-W30-ND-05	LIGHT LINEAR PT 2 - LI-10032 - 2 x 24 LED - 2 x 54 W - 141°x69° - 99°x79° (2 sides) - 3000K - On/Off - Matt Silver
LI-10032-T3-T4-W40-ND-06	LIGHT LINEAR PT 2 - LI-10032 - 2 x 24 LED - 2 x 54 W - 141°x69° - 99°x79° (2 sides) - 4000K - On/Off - Bronze
LI-10032-T3-T4-W30-ND-06	LIGHT LINEAR PT 2 - LI-10032 - 2 x 24 LED - 2 x 54 W - 141°x69° - 99°x79° (2 sides) - 3000K - On/Off - Bronze

LIGHT LINEAR PT 2 (LI-10032)

LI-10032-T3-T4-W40-ND-02	LIGHT LINEAR PT 2 - LI-10032 - 2 x 24 LED - 2 x 54 W - 141°x69° - 99°x79° (2 sides) - 4000K - On/Off - Dark Grey
LI-10032-T3-T4-W30-ND-02	LIGHT LINEAR PT 2 - LI-10032 - 2 x 24 LED - 2 x 54 W - 141°x69° - 99°x79° (2 sides) - 3000K - On/Off - Dark Grey
LI-10032-T3-T4-W40-DA-06	LIGHT LINEAR PT 2 - LI-10032 - 2 x 24 LED - 2 x 54 W - 141°x69° - 99°x79° (2 sides) - 4000K - DALI - Bronze
LI-10032-T3-T4-W30-DA-06	LIGHT LINEAR PT 2 - LI-10032 - 2 x 24 LED - 2 x 54 W - 141°x69° - 99°x79° (2 sides) - 3000K - DALI - Bronze
LI-10032-T3-T4-W40-DI-03	LIGHT LINEAR PT 2 - LI-10032 - 2 x 24 LED - 2 x 54 W - 141°x69° - 99°x79° (2 sides) - 4000K - 1-10V - White
LI-10032-T3-T4-W30-DI-03	LIGHT LINEAR PT 2 - LI-10032 - 2 x 24 LED - 2 x 54 W - 141°x69° - 99°x79° (2 sides) - 3000K - 1-10V - White
LI-10032-T3-T4-W40-DA-05	LIGHT LINEAR PT 2 - LI-10032 - 2 x 24 LED - 2 x 54 W - 141°x69° - 99°x79° (2 sides) - 4000K - DALI - Matt Silver
LI-10032-T3-T4-W30-DA-05	LIGHT LINEAR PT 2 - LI-10032 - 2 x 24 LED - 2 x 54 W - 141°x69° - 99°x79° (2 sides) - 3000K - DALI - Matt Silver
LI-10032-T3-T4-W40-DI-06	LIGHT LINEAR PT 2 - LI-10032 - 2 x 24 LED - 2 x 54 W - 141°x69° - 99°x79° (2 sides) - 4000K - 1-10V - Bronze
LI-10032-T3-T4-W30-DI-06	LIGHT LINEAR PT 2 - LI-10032 - 2 x 24 LED - 2 x 54 W - 141°x69° - 99°x79° (2 sides) - 3000K - 1-10V - Bronze
LI-10032-T3-T4-W40-ND-03	LIGHT LINEAR PT 2 - LI-10032 - 2 x 24 LED - 2 x 54 W - 141°x69° - 99°x79° (2 sides) - 4000K - On/Off - White
LI-10032-T3-T4-W30-ND-03	LIGHT LINEAR PT 2 - LI-10032 - 2 x 24 LED - 2 x 54 W - 141°x69° - 99°x79° (2 sides) - 3000K - On/Off - White
LI-10032-T3-T4-W40-DI-02	LIGHT LINEAR PT 2 - LI-10032 - 2 x 24 LED - 2 x 54 W - 141°x69° - 99°x79° (2 sides) - 4000K - 1-10V - Dark Grey
LI-10032-T3-T4-W30-DI-02	LIGHT LINEAR PT 2 - LI-10032 - 2 x 24 LED - 2 x 54 W - 141°x69° - 99°x79° (2 sides) - 3000K - 1-10V - Dark Grey
LI-10032-T3-T4-W40-DI-05	LIGHT LINEAR PT 2 - LI-10032 - 2 x 24 LED - 2 x 54 W - 141°x69° - 99°x79° (2 sides) - 4000K - 1-10V - Matt Silver
LI-10032-T3-T4-W30-DI-05	LIGHT LINEAR PT 2 - LI-10032 - 2 x 24 LED - 2 x 54 W - 141°x69° - 99°x79° (2 sides) - 3000K - 1-10V - Matt Silver
LI-10032-T3-T4-W40-DA-03	LIGHT LINEAR PT 2 - LI-10032 - 2 x 24 LED - 2 x 54 W - 141°x69° - 99°x79° (2 sides) - 4000K - DALI - White
LI-10032-T3-T4-W30-DA-03	LIGHT LINEAR PT 2 - LI-10032 - 2 x 24 LED - 2 x 54 W - 141°x69° - 99°x79° (2 sides) - 3000K - DALI - White
LI-10032-T4-T4-W30-ND-03	LIGHT LINEAR PT 2 - LI-10032 - 2 x 24 LED - 2 x 54 W - 99°x79° - 99°x79° (2 sides) - 3000K - On/Off - White
LI-10032-T4-T4-W40-ND-03	LIGHT LINEAR PT 2 - LI-10032 - 2 x 24 LED - 2 x 54 W - 99°x79° - 99°x79° (2 sides) - 4000K - On/Off - White
LI-10032-T4-T4-W30-DI-02	LIGHT LINEAR PT 2 - LI-10032 - 2 x 24 LED - 2 x 54 W - 99°x79° - 99°x79° (2 sides) - 3000K - 1-10V - Dark Grey
LI-10032-T4-T4-W40-DI-02	LIGHT LINEAR PT 2 - LI-10032 - 2 x 24 LED - 2 x 54 W - 99°x79° - 99°x79° (2 sides) - 4000K - 1-10V - Dark Grey
LI-10032-T4-T4-W30-DI-05	LIGHT LINEAR PT 2 - LI-10032 - 2 x 24 LED - 2 x 54 W - 99°x79° - 99°x79° (2 sides) - 3000K - 1-10V - Matt Silver
LI-10032-T4-T4-W40-DI-05	LIGHT LINEAR PT 2 - LI-10032 - 2 x 24 LED - 2 x 54 W - 99°x79° - 99°x79° (2 sides) - 4000K - 1-10V - Matt Silver
LI-10032-T4-T4-W30-DI-03	LIGHT LINEAR PT 2 - LI-10032 - 2 x 24 LED - 2 x 54 W - 99°x79° - 99°x79° (2 sides) - 3000K - 1-10V - White
LI-10032-T4-T4-W40-DI-03	LIGHT LINEAR PT 2 - LI-10032 - 2 x 24 LED - 2 x 54 W - 99°x79° - 99°x79° (2 sides) - 4000K - 1-10V - White
LI-10032-T4-T4-W30-DI-06	LIGHT LINEAR PT 2 - LI-10032 - 2 x 24 LED - 2 x 54 W - 99°x79° - 99°x79° (2 sides) - 3000K - 1-10V - Bronze
LI-10032-T4-T4-W40-DI-06	LIGHT LINEAR PT 2 - LI-10032 - 2 x 24 LED - 2 x 54 W - 99°x79° - 99°x79° (2 sides) - 4000K - 1-10V - Bronze
LI-10032-T4-T4-W30-DI-01	LIGHT LINEAR PT 2 - LI-10032 - 2 x 24 LED - 2 x 54 W - 99°x79° - 99°x79° (2 sides) - 3000K - 1-10V - Black
LI-10032-T4-T4-W40-DI-01	LIGHT LINEAR PT 2 - LI-10032 - 2 x 24 LED - 2 x 54 W - 99°x79° - 99°x79° (2 sides) - 4000K - 1-10V - Black
LI-10032-T4-T4-W30-DA-01	LIGHT LINEAR PT 2 - LI-10032 - 2 x 24 LED - 2 x 54 W - 99°x79° - 99°x79° (2 sides) - 3000K - DALI - Black
LI-10032-T4-T4-W40-DA-01	LIGHT LINEAR PT 2 - LI-10032 - 2 x 24 LED - 2 x 54 W - 99°x79° - 99°x79° (2 sides) - 4000K - DALI - Black
LI-10032-T4-T4-W30-DA-06	LIGHT LINEAR PT 2 - LI-10032 - 2 x 24 LED - 2 x 54 W - 99°x79° - 99°x79° (2 sides) - 3000K - DALI - Bronze
LI-10032-T4-T4-W40-DA-06	LIGHT LINEAR PT 2 - LI-10032 - 2 x 24 LED - 2 x 54 W - 99°x79° - 99°x79° (2 sides) - 4000K - DALI - Bronze
LI-10032-T4-T4-W30-ND-01	LIGHT LINEAR PT 2 - LI-10032 - 2 x 24 LED - 2 x 54 W - 99°x79° - 99°x79° (2 sides) - 3000K - On/Off - Black
LI-10032-T4-T4-W40-ND-01	LIGHT LINEAR PT 2 - LI-10032 - 2 x 24 LED - 2 x 54 W - 99°x79° - 99°x79° (2 sides) - 4000K - On/Off - Black
LI-10032-T4-T4-W30-ND-05	LIGHT LINEAR PT 2 - LI-10032 - 2 x 24 LED - 2 x 54 W - 99°x79° - 99°x79° (2 sides) - 3000K - On/Off - Matt Silver
LI-10032-T4-T4-W40-ND-05	LIGHT LINEAR PT 2 - LI-10032 - 2 x 24 LED - 2 x 54 W - 99°x79° - 99°x79° (2 sides) - 4000K - On/Off - Matt Silver
LI-10032-T4-T4-W30-DA-03	LIGHT LINEAR PT 2 - LI-10032 - 2 x 24 LED - 2 x 54 W - 99°x79° - 99°x79° (2 sides) - 3000K - DALI - White
LI-10032-T4-T4-W40-DA-03	LIGHT LINEAR PT 2 - LI-10032 - 2 x 24 LED - 2 x 54 W - 99°x79° - 99°x79° (2 sides) - 4000K - DALI - White
LI-10032-T4-T4-W30-DA-02	LIGHT LINEAR PT 2 - LI-10032 - 2 x 24 LED - 2 x 54 W - 99°x79° - 99°x79° (2 sides) - 3000K - DALI - Dark Grey
LI-10032-T4-T4-W40-DA-02	LIGHT LINEAR PT 2 - LI-10032 - 2 x 24 LED - 2 x 54 W - 99°x79° - 99°x79° (2 sides) - 4000K - DALI - Dark Grey
LI-10032-T4-T4-W30-ND-06	LIGHT LINEAR PT 2 - LI-10032 - 2 x 24 LED - 2 x 54 W - 99°x79° - 99°x79° (2 sides) - 3000K - On/Off - Bronze
LI-10032-T4-T4-W40-ND-06	LIGHT LINEAR PT 2 - LI-10032 - 2 x 24 LED - 2 x 54 W - 99°x79° - 99°x79° (2 sides) - 4000K - On/Off - Bronze
LI-10032-T4-T4-W30-ND-02	LIGHT LINEAR PT 2 - LI-10032 - 2 x 24 LED - 2 x 54 W - 99°x79° - 99°x79° (2 sides) - 3000K - On/Off - Dark Grey
LI-10032-T4-T4-W40-ND-02	LIGHT LINEAR PT 2 - LI-10032 - 2 x 24 LED - 2 x 54 W - 99°x79° - 99°x79° (2 sides) - 4000K - On/Off - Dark Grey
LI-10032-T4-T4-W30-DA-05	LIGHT LINEAR PT 2 - LI-10032 - 2 x 24 LED - 2 x 54 W - 99°x79° - 99°x79° (2 sides) - 3000K - DALI - Matt Silver
LI-10032-T4-T4-W40-DA-05	LIGHT LINEAR PT 2 - LI-10032 - 2 x 24 LED - 2 x 54 W - 99°x79° - 99°x79° (2 sides) - 4000K - DALI - Matt Silver
LI-10032-T2-T3-W30-DA-02	LIGHT LINEAR PT 2 - LI-10032 - 2 x 24 LED - 2 x 54 W - 142°x53° - 141°x69° (2 sides) - 3000K - DALI - Dark Grey
LI-10032-T2-T3-W40-DA-02	LIGHT LINEAR PT 2 - LI-10032 - 2 x 24 LED - 2 x 54 W - 142°x53° - 141°x69° (2 sides) - 4000K - DALI - Dark Grey
LI-10032-T2-T3-W30-DA-03	LIGHT LINEAR PT 2 - LI-10032 - 2 x 24 LED - 2 x 54 W - 142°x53° - 141°x69° (2 sides) - 3000K - DALI - White
LI-10032-T2-T3-W40-DA-03	LIGHT LINEAR PT 2 - LI-10032 - 2 x 24 LED - 2 x 54 W - 142°x53° - 141°x69° (2 sides) - 4000K - DALI - White
LI-10032-T2-T3-W30-DI-06	LIGHT LINEAR PT 2 - LI-10032 - 2 x 24 LED - 2 x 54 W - 142°x53° - 141°x69° (2 sides) - 3000K - 1-10V - Bronze
LI-10032-T2-T3-W40-DI-06	LIGHT LINEAR PT 2 - LI-10032 - 2 x 24 LED - 2 x 54 W - 142°x53° - 141°x69° (2 sides) - 4000K - 1-10V - Bronze
LI-10032-T2-T3-W30-DI-02	LIGHT LINEAR PT 2 - LI-10032 - 2 x 24 LED - 2 x 54 W - 142°x53° - 141°x69° (2 sides) - 3000K - 1-10V - Dark Grey
LI-10032-T2-T3-W40-DI-02	LIGHT LINEAR PT 2 - LI-10032 - 2 x 24 LED - 2 x 54 W - 142°x53° - 141°x69° (2 sides) - 4000K - 1-10V - Dark Grey
LI-10032-T2-T3-W30-DA-05	LIGHT LINEAR PT 2 - LI-10032 - 2 x 24 LED - 2 x 54 W - 142°x53° - 141°x69° (2 sides) - 3000K - DALI - Matt Silver
LI-10032-T2-T3-W40-DA-05	LIGHT LINEAR PT 2 - LI-10032 - 2 x 24 LED - 2 x 54 W - 142°x53° - 141°x69° (2 sides) - 4000K - DALI - Matt Silver
LI-10032-T2-T3-W30-ND-01	LIGHT LINEAR PT 2 - LI-10032 - 2 x 24 LED - 2 x 54 W - 142°x53° - 141°x69° (2 sides) - 3000K - On/Off - Black

Мы оставляем за собой право вносить технические и конструктивные изменения.

12:38, 13-01-2020

<https://www.ligman.com/ru/light-linear-pt-2-li-10032/>

Европа
LIGMAN EUROPE s.r.o.
VGP Park Ústí nad Labem
P 2 120
40317, Přestanov
Czech Republic
+420 477 071 500
sales.cz@ligman.com

Страны азиатско-тихоокеанского региона
LIGMAN Lighting Co.,Ltd.
17/2 Moo4 Monthong
Bangnampreaw
24150, Chachoengsao
Thailand
+66 2 108 6700
info@ligman.com

LIGHT LINEAR PT 2 (LI-10032)

LI-10032-T2-T3-W40-ND-01	LIGHT LINEAR PT 2 - LI-10032 - 2 x 24 LED - 2 x 54 W - 142°x53° - 141°x69° (2 sides) - 4000K - On/Off - Black
LI-10032-T2-T3-W30-DA-01	LIGHT LINEAR PT 2 - LI-10032 - 2 x 24 LED - 2 x 54 W - 142°x53° - 141°x69° (2 sides) - 3000K - DALI - Black
LI-10032-T2-T3-W40-DA-01	LIGHT LINEAR PT 2 - LI-10032 - 2 x 24 LED - 2 x 54 W - 142°x53° - 141°x69° (2 sides) - 4000K - DALI - Black
LI-10032-T2-T3-W30-DI-05	LIGHT LINEAR PT 2 - LI-10032 - 2 x 24 LED - 2 x 54 W - 142°x53° - 141°x69° (2 sides) - 3000K - 1-10V - Matt Silver
LI-10032-T2-T3-W40-DI-05	LIGHT LINEAR PT 2 - LI-10032 - 2 x 24 LED - 2 x 54 W - 142°x53° - 141°x69° (2 sides) - 4000K - 1-10V - Matt Silver
LI-10032-T2-T3-W30-ND-05	LIGHT LINEAR PT 2 - LI-10032 - 2 x 24 LED - 2 x 54 W - 142°x53° - 141°x69° (2 sides) - 3000K - On/Off - Matt Silver
LI-10032-T2-T3-W40-ND-05	LIGHT LINEAR PT 2 - LI-10032 - 2 x 24 LED - 2 x 54 W - 142°x53° - 141°x69° (2 sides) - 4000K - On/Off - Matt Silver
LI-10032-T2-T3-W30-ND-06	LIGHT LINEAR PT 2 - LI-10032 - 2 x 24 LED - 2 x 54 W - 142°x53° - 141°x69° (2 sides) - 3000K - On/Off - Bronze
LI-10032-T2-T3-W40-ND-06	LIGHT LINEAR PT 2 - LI-10032 - 2 x 24 LED - 2 x 54 W - 142°x53° - 141°x69° (2 sides) - 4000K - On/Off - Bronze
LI-10032-T2-T3-W30-DA-06	LIGHT LINEAR PT 2 - LI-10032 - 2 x 24 LED - 2 x 54 W - 142°x53° - 141°x69° (2 sides) - 3000K - DALI - Bronze
LI-10032-T2-T3-W40-DA-06	LIGHT LINEAR PT 2 - LI-10032 - 2 x 24 LED - 2 x 54 W - 142°x53° - 141°x69° (2 sides) - 4000K - DALI - Bronze
LI-10032-T2-T3-W30-ND-03	LIGHT LINEAR PT 2 - LI-10032 - 2 x 24 LED - 2 x 54 W - 142°x53° - 141°x69° (2 sides) - 3000K - On/Off - White
LI-10032-T2-T3-W40-ND-03	LIGHT LINEAR PT 2 - LI-10032 - 2 x 24 LED - 2 x 54 W - 142°x53° - 141°x69° (2 sides) - 4000K - On/Off - White
LI-10032-T2-T3-W30-DI-03	LIGHT LINEAR PT 2 - LI-10032 - 2 x 24 LED - 2 x 54 W - 142°x53° - 141°x69° (2 sides) - 3000K - 1-10V - White
LI-10032-T2-T3-W40-DI-03	LIGHT LINEAR PT 2 - LI-10032 - 2 x 24 LED - 2 x 54 W - 142°x53° - 141°x69° (2 sides) - 4000K - 1-10V - White
LI-10032-T2-T3-W30-ND-02	LIGHT LINEAR PT 2 - LI-10032 - 2 x 24 LED - 2 x 54 W - 142°x53° - 141°x69° (2 sides) - 3000K - On/Off - Dark Grey
LI-10032-T2-T3-W40-ND-02	LIGHT LINEAR PT 2 - LI-10032 - 2 x 24 LED - 2 x 54 W - 142°x53° - 141°x69° (2 sides) - 4000K - On/Off - Dark Grey
LI-10032-T2-T3-W30-DI-01	LIGHT LINEAR PT 2 - LI-10032 - 2 x 24 LED - 2 x 54 W - 142°x53° - 141°x69° (2 sides) - 3000K - 1-10V - Black
LI-10032-T2-T3-W40-DI-01	LIGHT LINEAR PT 2 - LI-10032 - 2 x 24 LED - 2 x 54 W - 142°x53° - 141°x69° (2 sides) - 4000K - 1-10V - Black
LI-10032-T3-T3-W30-DA-05	LIGHT LINEAR PT 2 - LI-10032 - 2 x 24 LED - 2 x 54 W - 141°x69° - 141°x69° (2 sides) - 3000K - DALI - Matt Silver
LI-10032-T3-T3-W40-DA-05	LIGHT LINEAR PT 2 - LI-10032 - 2 x 24 LED - 2 x 54 W - 141°x69° - 141°x69° (2 sides) - 4000K - DALI - Matt Silver
LI-10032-T3-T3-W30-DI-05	LIGHT LINEAR PT 2 - LI-10032 - 2 x 24 LED - 2 x 54 W - 141°x69° - 141°x69° (2 sides) - 3000K - 1-10V - Matt Silver
LI-10032-T3-T3-W40-DI-05	LIGHT LINEAR PT 2 - LI-10032 - 2 x 24 LED - 2 x 54 W - 141°x69° - 141°x69° (2 sides) - 4000K - 1-10V - Matt Silver
LI-10032-T3-T3-W30-DA-02	LIGHT LINEAR PT 2 - LI-10032 - 2 x 24 LED - 2 x 54 W - 141°x69° - 141°x69° (2 sides) - 3000K - DALI - Dark Grey
LI-10032-T3-T3-W40-DA-02	LIGHT LINEAR PT 2 - LI-10032 - 2 x 24 LED - 2 x 54 W - 141°x69° - 141°x69° (2 sides) - 4000K - DALI - Dark Grey
LI-10032-T3-T3-W30-DI-03	LIGHT LINEAR PT 2 - LI-10032 - 2 x 24 LED - 2 x 54 W - 141°x69° - 141°x69° (2 sides) - 3000K - 1-10V - White
LI-10032-T3-T3-W40-DI-03	LIGHT LINEAR PT 2 - LI-10032 - 2 x 24 LED - 2 x 54 W - 141°x69° - 141°x69° (2 sides) - 4000K - 1-10V - White
LI-10032-T3-T3-W30-DA-03	LIGHT LINEAR PT 2 - LI-10032 - 2 x 24 LED - 2 x 54 W - 141°x69° - 141°x69° (2 sides) - 3000K - DALI - White
LI-10032-T3-T3-W40-DA-03	LIGHT LINEAR PT 2 - LI-10032 - 2 x 24 LED - 2 x 54 W - 141°x69° - 141°x69° (2 sides) - 4000K - DALI - White
LI-10032-T3-T3-W30-DA-06	LIGHT LINEAR PT 2 - LI-10032 - 2 x 24 LED - 2 x 54 W - 141°x69° - 141°x69° (2 sides) - 3000K - DALI - Bronze
LI-10032-T3-T3-W40-DA-06	LIGHT LINEAR PT 2 - LI-10032 - 2 x 24 LED - 2 x 54 W - 141°x69° - 141°x69° (2 sides) - 4000K - DALI - Bronze
LI-10032-T3-T3-W30-DA-01	LIGHT LINEAR PT 2 - LI-10032 - 2 x 24 LED - 2 x 54 W - 141°x69° - 141°x69° (2 sides) - 3000K - DALI - Black
LI-10032-T3-T3-W40-DA-01	LIGHT LINEAR PT 2 - LI-10032 - 2 x 24 LED - 2 x 54 W - 141°x69° - 141°x69° (2 sides) - 4000K - DALI - Black
LI-10032-T3-T3-W30-DI-06	LIGHT LINEAR PT 2 - LI-10032 - 2 x 24 LED - 2 x 54 W - 141°x69° - 141°x69° (2 sides) - 3000K - 1-10V - Bronze
LI-10032-T3-T3-W40-DI-06	LIGHT LINEAR PT 2 - LI-10032 - 2 x 24 LED - 2 x 54 W - 141°x69° - 141°x69° (2 sides) - 4000K - 1-10V - Bronze
LI-10032-T3-T3-W30-ND-03	LIGHT LINEAR PT 2 - LI-10032 - 2 x 24 LED - 2 x 54 W - 141°x69° - 141°x69° (2 sides) - 3000K - On/Off - White
LI-10032-T3-T3-W40-ND-03	LIGHT LINEAR PT 2 - LI-10032 - 2 x 24 LED - 2 x 54 W - 141°x69° - 141°x69° (2 sides) - 4000K - On/Off - White
LI-10032-T3-T3-W30-DI-02	LIGHT LINEAR PT 2 - LI-10032 - 2 x 24 LED - 2 x 54 W - 141°x69° - 141°x69° (2 sides) - 3000K - 1-10V - Dark Grey
LI-10032-T3-T3-W40-DI-02	LIGHT LINEAR PT 2 - LI-10032 - 2 x 24 LED - 2 x 54 W - 141°x69° - 141°x69° (2 sides) - 4000K - 1-10V - Dark Grey
LI-10032-T3-T3-W30-DI-01	LIGHT LINEAR PT 2 - LI-10032 - 2 x 24 LED - 2 x 54 W - 141°x69° - 141°x69° (2 sides) - 3000K - 1-10V - Black
LI-10032-T3-T3-W40-DI-01	LIGHT LINEAR PT 2 - LI-10032 - 2 x 24 LED - 2 x 54 W - 141°x69° - 141°x69° (2 sides) - 4000K - 1-10V - Black
LI-10032-T3-T3-W30-ND-02	LIGHT LINEAR PT 2 - LI-10032 - 2 x 24 LED - 2 x 54 W - 141°x69° - 141°x69° (2 sides) - 3000K - On/Off - Dark Grey
LI-10032-T3-T3-W40-ND-02	LIGHT LINEAR PT 2 - LI-10032 - 2 x 24 LED - 2 x 54 W - 141°x69° - 141°x69° (2 sides) - 4000K - On/Off - Dark Grey
LI-10032-T3-T3-W30-ND-05	LIGHT LINEAR PT 2 - LI-10032 - 2 x 24 LED - 2 x 54 W - 141°x69° - 141°x69° (2 sides) - 3000K - On/Off - Matt Silver
LI-10032-T3-T3-W40-ND-05	LIGHT LINEAR PT 2 - LI-10032 - 2 x 24 LED - 2 x 54 W - 141°x69° - 141°x69° (2 sides) - 4000K - On/Off - Matt Silver
LI-10032-T3-T3-W30-ND-06	LIGHT LINEAR PT 2 - LI-10032 - 2 x 24 LED - 2 x 54 W - 141°x69° - 141°x69° (2 sides) - 3000K - On/Off - Bronze
LI-10032-T3-T3-W40-ND-06	LIGHT LINEAR PT 2 - LI-10032 - 2 x 24 LED - 2 x 54 W - 141°x69° - 141°x69° (2 sides) - 4000K - On/Off - Bronze
LI-10032-T3-T3-W30-ND-01	LIGHT LINEAR PT 2 - LI-10032 - 2 x 24 LED - 2 x 54 W - 141°x69° - 141°x69° (2 sides) - 3000K - On/Off - Black
LI-10032-T3-T3-W40-ND-01	LIGHT LINEAR PT 2 - LI-10032 - 2 x 24 LED - 2 x 54 W - 141°x69° - 141°x69° (2 sides) - 4000K - On/Off - Black
LI-10032-T4-T3-W30-DA-05	LIGHT LINEAR PT 2 - LI-10032 - 2 x 24 LED - 2 x 54 W - 99°x79° - 141°x69° (2 sides) - 3000K - DALI - Matt Silver
LI-10032-T4-T3-W40-DA-05	LIGHT LINEAR PT 2 - LI-10032 - 2 x 24 LED - 2 x 54 W - 99°x79° - 141°x69° (2 sides) - 4000K - DALI - Matt Silver
LI-10032-T4-T3-W30-ND-02	LIGHT LINEAR PT 2 - LI-10032 - 2 x 24 LED - 2 x 54 W - 99°x79° - 141°x69° (2 sides) - 3000K - On/Off - Dark Grey
LI-10032-T4-T3-W40-ND-02	LIGHT LINEAR PT 2 - LI-10032 - 2 x 24 LED - 2 x 54 W - 99°x79° - 141°x69° (2 sides) - 4000K - On/Off - Dark Grey
LI-10032-T4-T3-W30-ND-06	LIGHT LINEAR PT 2 - LI-10032 - 2 x 24 LED - 2 x 54 W - 99°x79° - 141°x69° (2 sides) - 3000K - On/Off - Bronze
LI-10032-T4-T3-W40-ND-06	LIGHT LINEAR PT 2 - LI-10032 - 2 x 24 LED - 2 x 54 W - 99°x79° - 141°x69° (2 sides) - 4000K - On/Off - Bronze
LI-10032-T4-T3-W30-DA-03	LIGHT LINEAR PT 2 - LI-10032 - 2 x 24 LED - 2 x 54 W - 99°x79° - 141°x69° (2 sides) - 3000K - DALI - White
LI-10032-T4-T3-W40-DA-03	LIGHT LINEAR PT 2 - LI-10032 - 2 x 24 LED - 2 x 54 W - 99°x79° - 141°x69° (2 sides) - 4000K - DALI - White
LI-10032-T4-T3-W30-ND-05	LIGHT LINEAR PT 2 - LI-10032 - 2 x 24 LED - 2 x 54 W - 99°x79° - 141°x69° (2 sides) - 3000K - On/Off - Matt Silver
LI-10032-T4-T3-W40-ND-05	LIGHT LINEAR PT 2 - LI-10032 - 2 x 24 LED - 2 x 54 W - 99°x79° - 141°x69° (2 sides) - 4000K - On/Off - Matt Silver

LIGHT LINEAR PT 2 (LI-10032)

LI-10032-T4-T3-W30-DA-06	LIGHT LINEAR PT 2 - LI-10032 - 2 x 24 LED - 2 x 54 W - 99°x79° - 141°x69° (2 sides) - 3000K - DALI - Bronze
LI-10032-T4-T3-W40-DA-06	LIGHT LINEAR PT 2 - LI-10032 - 2 x 24 LED - 2 x 54 W - 99°x79° - 141°x69° (2 sides) - 4000K - DALI - Bronze
LI-10032-T4-T3-W30-ND-03	LIGHT LINEAR PT 2 - LI-10032 - 2 x 24 LED - 2 x 54 W - 99°x79° - 141°x69° (2 sides) - 3000K - On/Off - White
LI-10032-T4-T3-W40-ND-03	LIGHT LINEAR PT 2 - LI-10032 - 2 x 24 LED - 2 x 54 W - 99°x79° - 141°x69° (2 sides) - 4000K - On/Off - White
LI-10032-T4-T3-W30-ND-01	LIGHT LINEAR PT 2 - LI-10032 - 2 x 24 LED - 2 x 54 W - 99°x79° - 141°x69° (2 sides) - 3000K - On/Off - Black
LI-10032-T4-T3-W40-ND-01	LIGHT LINEAR PT 2 - LI-10032 - 2 x 24 LED - 2 x 54 W - 99°x79° - 141°x69° (2 sides) - 4000K - On/Off - Black
LI-10032-T4-T3-W30-DA-01	LIGHT LINEAR PT 2 - LI-10032 - 2 x 24 LED - 2 x 54 W - 99°x79° - 141°x69° (2 sides) - 3000K - DALI - Black
LI-10032-T4-T3-W40-DA-01	LIGHT LINEAR PT 2 - LI-10032 - 2 x 24 LED - 2 x 54 W - 99°x79° - 141°x69° (2 sides) - 4000K - DALI - Black
LI-10032-T4-T3-W30-DA-02	LIGHT LINEAR PT 2 - LI-10032 - 2 x 24 LED - 2 x 54 W - 99°x79° - 141°x69° (2 sides) - 3000K - DALI - Dark Grey
LI-10032-T4-T3-W40-DA-02	LIGHT LINEAR PT 2 - LI-10032 - 2 x 24 LED - 2 x 54 W - 99°x79° - 141°x69° (2 sides) - 4000K - DALI - Dark Grey
LI-10032-T4-T3-W30-DI-05	LIGHT LINEAR PT 2 - LI-10032 - 2 x 24 LED - 2 x 54 W - 99°x79° - 141°x69° (2 sides) - 3000K - 1-10V - Matt Silver
LI-10032-T4-T3-W40-DI-05	LIGHT LINEAR PT 2 - LI-10032 - 2 x 24 LED - 2 x 54 W - 99°x79° - 141°x69° (2 sides) - 4000K - 1-10V - Matt Silver
LI-10032-T4-T3-W30-DI-06	LIGHT LINEAR PT 2 - LI-10032 - 2 x 24 LED - 2 x 54 W - 99°x79° - 141°x69° (2 sides) - 3000K - 1-10V - Bronze
LI-10032-T4-T3-W40-DI-06	LIGHT LINEAR PT 2 - LI-10032 - 2 x 24 LED - 2 x 54 W - 99°x79° - 141°x69° (2 sides) - 4000K - 1-10V - Bronze
LI-10032-T4-T3-W30-DI-03	LIGHT LINEAR PT 2 - LI-10032 - 2 x 24 LED - 2 x 54 W - 99°x79° - 141°x69° (2 sides) - 3000K - 1-10V - White
LI-10032-T4-T3-W40-DI-03	LIGHT LINEAR PT 2 - LI-10032 - 2 x 24 LED - 2 x 54 W - 99°x79° - 141°x69° (2 sides) - 4000K - 1-10V - White
LI-10032-T4-T3-W30-DI-02	LIGHT LINEAR PT 2 - LI-10032 - 2 x 24 LED - 2 x 54 W - 99°x79° - 141°x69° (2 sides) - 3000K - 1-10V - Dark Grey
LI-10032-T4-T3-W40-DI-02	LIGHT LINEAR PT 2 - LI-10032 - 2 x 24 LED - 2 x 54 W - 99°x79° - 141°x69° (2 sides) - 4000K - 1-10V - Dark Grey
LI-10032-T4-T3-W30-DI-01	LIGHT LINEAR PT 2 - LI-10032 - 2 x 24 LED - 2 x 54 W - 99°x79° - 141°x69° (2 sides) - 3000K - 1-10V - Black
LI-10032-T4-T3-W40-DI-01	LIGHT LINEAR PT 2 - LI-10032 - 2 x 24 LED - 2 x 54 W - 99°x79° - 141°x69° (2 sides) - 4000K - 1-10V - Black
LI-10032-T2-T2-W30-DA-02	LIGHT LINEAR PT 2 - LI-10032 - 2 x 24 LED - 2 x 54 W - 142°x53° - 142°x53° (2 sides) - 3000K - DALI - Dark Grey
LI-10032-T2-T2-W40-DA-02	LIGHT LINEAR PT 2 - LI-10032 - 2 x 24 LED - 2 x 54 W - 142°x53° - 142°x53° (2 sides) - 4000K - DALI - Dark Grey
LI-10032-T2-T2-W30-ND-02	LIGHT LINEAR PT 2 - LI-10032 - 2 x 24 LED - 2 x 54 W - 142°x53° - 142°x53° (2 sides) - 3000K - On/Off - Dark Grey
LI-10032-T2-T2-W40-ND-02	LIGHT LINEAR PT 2 - LI-10032 - 2 x 24 LED - 2 x 54 W - 142°x53° - 142°x53° (2 sides) - 4000K - On/Off - Dark Grey
LI-10032-T2-T2-W30-DA-06	LIGHT LINEAR PT 2 - LI-10032 - 2 x 24 LED - 2 x 54 W - 142°x53° - 142°x53° (2 sides) - 3000K - DALI - Bronze
LI-10032-T2-T2-W40-DA-06	LIGHT LINEAR PT 2 - LI-10032 - 2 x 24 LED - 2 x 54 W - 142°x53° - 142°x53° (2 sides) - 4000K - DALI - Bronze
LI-10032-T2-T2-W30-DI-06	LIGHT LINEAR PT 2 - LI-10032 - 2 x 24 LED - 2 x 54 W - 142°x53° - 142°x53° (2 sides) - 3000K - 1-10V - Bronze
LI-10032-T2-T2-W40-DI-06	LIGHT LINEAR PT 2 - LI-10032 - 2 x 24 LED - 2 x 54 W - 142°x53° - 142°x53° (2 sides) - 4000K - 1-10V - Bronze
LI-10032-T2-T2-W30-ND-01	LIGHT LINEAR PT 2 - LI-10032 - 2 x 24 LED - 2 x 54 W - 142°x53° - 142°x53° (2 sides) - 3000K - On/Off - Black
LI-10032-T2-T2-W40-ND-01	LIGHT LINEAR PT 2 - LI-10032 - 2 x 24 LED - 2 x 54 W - 142°x53° - 142°x53° (2 sides) - 4000K - On/Off - Black
LI-10032-T2-T2-W30-DI-05	LIGHT LINEAR PT 2 - LI-10032 - 2 x 24 LED - 2 x 54 W - 142°x53° - 142°x53° (2 sides) - 3000K - 1-10V - Matt Silver
LI-10032-T2-T2-W40-DI-05	LIGHT LINEAR PT 2 - LI-10032 - 2 x 24 LED - 2 x 54 W - 142°x53° - 142°x53° (2 sides) - 4000K - 1-10V - Matt Silver
LI-10032-T2-T2-W30-DI-01	LIGHT LINEAR PT 2 - LI-10032 - 2 x 24 LED - 2 x 54 W - 142°x53° - 142°x53° (2 sides) - 3000K - 1-10V - Black
LI-10032-T2-T2-W40-DI-01	LIGHT LINEAR PT 2 - LI-10032 - 2 x 24 LED - 2 x 54 W - 142°x53° - 142°x53° (2 sides) - 4000K - 1-10V - Black
LI-10032-T2-T2-W30-DA-01	LIGHT LINEAR PT 2 - LI-10032 - 2 x 24 LED - 2 x 54 W - 142°x53° - 142°x53° (2 sides) - 3000K - DALI - Black
LI-10032-T2-T2-W40-DA-01	LIGHT LINEAR PT 2 - LI-10032 - 2 x 24 LED - 2 x 54 W - 142°x53° - 142°x53° (2 sides) - 4000K - DALI - Black
LI-10032-T2-T2-W30-DI-02	LIGHT LINEAR PT 2 - LI-10032 - 2 x 24 LED - 2 x 54 W - 142°x53° - 142°x53° (2 sides) - 3000K - 1-10V - Dark Grey
LI-10032-T2-T2-W40-DI-02	LIGHT LINEAR PT 2 - LI-10032 - 2 x 24 LED - 2 x 54 W - 142°x53° - 142°x53° (2 sides) - 4000K - 1-10V - Dark Grey
LI-10032-T2-T2-W30-ND-06	LIGHT LINEAR PT 2 - LI-10032 - 2 x 24 LED - 2 x 54 W - 142°x53° - 142°x53° (2 sides) - 3000K - On/Off - Bronze
LI-10032-T2-T2-W40-ND-06	LIGHT LINEAR PT 2 - LI-10032 - 2 x 24 LED - 2 x 54 W - 142°x53° - 142°x53° (2 sides) - 4000K - On/Off - Bronze
LI-10032-T2-T2-W30-DA-05	LIGHT LINEAR PT 2 - LI-10032 - 2 x 24 LED - 2 x 54 W - 142°x53° - 142°x53° (2 sides) - 3000K - DALI - Matt Silver
LI-10032-T2-T2-W40-DA-05	LIGHT LINEAR PT 2 - LI-10032 - 2 x 24 LED - 2 x 54 W - 142°x53° - 142°x53° (2 sides) - 4000K - DALI - Matt Silver
LI-10032-T2-T2-W30-ND-03	LIGHT LINEAR PT 2 - LI-10032 - 2 x 24 LED - 2 x 54 W - 142°x53° - 142°x53° (2 sides) - 3000K - On/Off - White
LI-10032-T2-T2-W40-ND-03	LIGHT LINEAR PT 2 - LI-10032 - 2 x 24 LED - 2 x 54 W - 142°x53° - 142°x53° (2 sides) - 4000K - On/Off - White
LI-10032-T2-T2-W30-DI-03	LIGHT LINEAR PT 2 - LI-10032 - 2 x 24 LED - 2 x 54 W - 142°x53° - 142°x53° (2 sides) - 3000K - 1-10V - White
LI-10032-T2-T2-W40-DI-03	LIGHT LINEAR PT 2 - LI-10032 - 2 x 24 LED - 2 x 54 W - 142°x53° - 142°x53° (2 sides) - 4000K - 1-10V - White
LI-10032-T2-T2-W30-DA-03	LIGHT LINEAR PT 2 - LI-10032 - 2 x 24 LED - 2 x 54 W - 142°x53° - 142°x53° (2 sides) - 3000K - DALI - White
LI-10032-T2-T2-W40-DA-03	LIGHT LINEAR PT 2 - LI-10032 - 2 x 24 LED - 2 x 54 W - 142°x53° - 142°x53° (2 sides) - 4000K - DALI - White
LI-10032-T2-T2-W30-ND-05	LIGHT LINEAR PT 2 - LI-10032 - 2 x 24 LED - 2 x 54 W - 142°x53° - 142°x53° (2 sides) - 3000K - On/Off - Matt Silver
LI-10032-T2-T2-W40-ND-05	LIGHT LINEAR PT 2 - LI-10032 - 2 x 24 LED - 2 x 54 W - 142°x53° - 142°x53° (2 sides) - 4000K - On/Off - Matt Silver
LI-10032-T3-T2-W30-DA-02	LIGHT LINEAR PT 2 - LI-10032 - 2 x 24 LED - 2 x 54 W - 141°x69° - 142°x53° (2 sides) - 3000K - DALI - Dark Grey
LI-10032-T3-T2-W40-DA-02	LIGHT LINEAR PT 2 - LI-10032 - 2 x 24 LED - 2 x 54 W - 141°x69° - 142°x53° (2 sides) - 4000K - DALI - Dark Grey
LI-10032-T3-T2-W30-ND-06	LIGHT LINEAR PT 2 - LI-10032 - 2 x 24 LED - 2 x 54 W - 141°x69° - 142°x53° (2 sides) - 3000K - On/Off - Bronze
LI-10032-T3-T2-W40-ND-06	LIGHT LINEAR PT 2 - LI-10032 - 2 x 24 LED - 2 x 54 W - 141°x69° - 142°x53° (2 sides) - 4000K - On/Off - Bronze
LI-10032-T3-T2-W30-DA-05	LIGHT LINEAR PT 2 - LI-10032 - 2 x 24 LED - 2 x 54 W - 141°x69° - 142°x53° (2 sides) - 3000K - DALI - Matt Silver
LI-10032-T3-T2-W40-DA-05	LIGHT LINEAR PT 2 - LI-10032 - 2 x 24 LED - 2 x 54 W - 141°x69° - 142°x53° (2 sides) - 4000K - DALI - Matt Silver
LI-10032-T3-T2-W30-DI-06	LIGHT LINEAR PT 2 - LI-10032 - 2 x 24 LED - 2 x 54 W - 141°x69° - 142°x53° (2 sides) - 3000K - 1-10V - Bronze
LI-10032-T3-T2-W40-DI-06	LIGHT LINEAR PT 2 - LI-10032 - 2 x 24 LED - 2 x 54 W - 141°x69° - 142°x53° (2 sides) - 4000K - 1-10V - Bronze
LI-10032-T3-T2-W30-ND-01	LIGHT LINEAR PT 2 - LI-10032 - 2 x 24 LED - 2 x 54 W - 141°x69° - 142°x53° (2 sides) - 3000K - On/Off - Black

LIGHT LINEAR PT 2 (LI-10032)

LI-10032-T3-T2-W40-ND-01	LIGHT LINEAR PT 2 - LI-10032 - 2 x 24 LED - 2 x 54 W - 141°x69° - 142°x53° (2 sides) - 4000K - On/Off - Black
LI-10032-T3-T2-W30-ND-02	LIGHT LINEAR PT 2 - LI-10032 - 2 x 24 LED - 2 x 54 W - 141°x69° - 142°x53° (2 sides) - 3000K - On/Off - Dark Grey
LI-10032-T3-T2-W40-ND-02	LIGHT LINEAR PT 2 - LI-10032 - 2 x 24 LED - 2 x 54 W - 141°x69° - 142°x53° (2 sides) - 4000K - On/Off - Dark Grey
LI-10032-T3-T2-W30-DA-06	LIGHT LINEAR PT 2 - LI-10032 - 2 x 24 LED - 2 x 54 W - 141°x69° - 142°x53° (2 sides) - 3000K - DALI - Bronze
LI-10032-T3-T2-W40-DA-06	LIGHT LINEAR PT 2 - LI-10032 - 2 x 24 LED - 2 x 54 W - 141°x69° - 142°x53° (2 sides) - 4000K - DALI - Bronze
LI-10032-T3-T2-W30-DI-02	LIGHT LINEAR PT 2 - LI-10032 - 2 x 24 LED - 2 x 54 W - 141°x69° - 142°x53° (2 sides) - 3000K - 1-10V - Dark Grey
LI-10032-T3-T2-W40-DI-02	LIGHT LINEAR PT 2 - LI-10032 - 2 x 24 LED - 2 x 54 W - 141°x69° - 142°x53° (2 sides) - 4000K - 1-10V - Dark Grey
LI-10032-T3-T2-W30-ND-05	LIGHT LINEAR PT 2 - LI-10032 - 2 x 24 LED - 2 x 54 W - 141°x69° - 142°x53° (2 sides) - 3000K - On/Off - Matt Silver
LI-10032-T3-T2-W40-ND-05	LIGHT LINEAR PT 2 - LI-10032 - 2 x 24 LED - 2 x 54 W - 141°x69° - 142°x53° (2 sides) - 4000K - On/Off - Matt Silver
LI-10032-T3-T2-W30-DA-01	LIGHT LINEAR PT 2 - LI-10032 - 2 x 24 LED - 2 x 54 W - 141°x69° - 142°x53° (2 sides) - 3000K - DALI - Black
LI-10032-T3-T2-W40-DA-01	LIGHT LINEAR PT 2 - LI-10032 - 2 x 24 LED - 2 x 54 W - 141°x69° - 142°x53° (2 sides) - 4000K - DALI - Black
LI-10032-T3-T2-W30-DI-01	LIGHT LINEAR PT 2 - LI-10032 - 2 x 24 LED - 2 x 54 W - 141°x69° - 142°x53° (2 sides) - 3000K - 1-10V - Black
LI-10032-T3-T2-W40-DI-01	LIGHT LINEAR PT 2 - LI-10032 - 2 x 24 LED - 2 x 54 W - 141°x69° - 142°x53° (2 sides) - 4000K - 1-10V - Black
LI-10032-T3-T2-W30-DA-03	LIGHT LINEAR PT 2 - LI-10032 - 2 x 24 LED - 2 x 54 W - 141°x69° - 142°x53° (2 sides) - 3000K - DALI - White
LI-10032-T3-T2-W40-DA-03	LIGHT LINEAR PT 2 - LI-10032 - 2 x 24 LED - 2 x 54 W - 141°x69° - 142°x53° (2 sides) - 4000K - DALI - White
LI-10032-T3-T2-W30-ND-03	LIGHT LINEAR PT 2 - LI-10032 - 2 x 24 LED - 2 x 54 W - 141°x69° - 142°x53° (2 sides) - 3000K - On/Off - White
LI-10032-T3-T2-W40-ND-03	LIGHT LINEAR PT 2 - LI-10032 - 2 x 24 LED - 2 x 54 W - 141°x69° - 142°x53° (2 sides) - 4000K - On/Off - White
LI-10032-T3-T2-W30-DI-03	LIGHT LINEAR PT 2 - LI-10032 - 2 x 24 LED - 2 x 54 W - 141°x69° - 142°x53° (2 sides) - 3000K - 1-10V - White
LI-10032-T3-T2-W40-DI-03	LIGHT LINEAR PT 2 - LI-10032 - 2 x 24 LED - 2 x 54 W - 141°x69° - 142°x53° (2 sides) - 4000K - 1-10V - White
LI-10032-T3-T2-W30-DI-05	LIGHT LINEAR PT 2 - LI-10032 - 2 x 24 LED - 2 x 54 W - 141°x69° - 142°x53° (2 sides) - 3000K - 1-10V - Matt Silver
LI-10032-T3-T2-W40-DI-05	LIGHT LINEAR PT 2 - LI-10032 - 2 x 24 LED - 2 x 54 W - 141°x69° - 142°x53° (2 sides) - 4000K - 1-10V - Matt Silver
LI-10032-T4-T2-W30-ND-01	LIGHT LINEAR PT 2 - LI-10032 - 2 x 24 LED - 2 x 54 W - 99°x79° - 142°x53° (2 sides) - 3000K - On/Off - Black
LI-10032-T4-T2-W40-ND-01	LIGHT LINEAR PT 2 - LI-10032 - 2 x 24 LED - 2 x 54 W - 99°x79° - 142°x53° (2 sides) - 4000K - On/Off - Black
LI-10032-T4-T2-W30-DA-03	LIGHT LINEAR PT 2 - LI-10032 - 2 x 24 LED - 2 x 54 W - 99°x79° - 142°x53° (2 sides) - 3000K - DALI - White
LI-10032-T4-T2-W40-DA-03	LIGHT LINEAR PT 2 - LI-10032 - 2 x 24 LED - 2 x 54 W - 99°x79° - 142°x53° (2 sides) - 4000K - DALI - White
LI-10032-T4-T2-W30-DA-05	LIGHT LINEAR PT 2 - LI-10032 - 2 x 24 LED - 2 x 54 W - 99°x79° - 142°x53° (2 sides) - 3000K - DALI - Matt Silver
LI-10032-T4-T2-W40-DA-05	LIGHT LINEAR PT 2 - LI-10032 - 2 x 24 LED - 2 x 54 W - 99°x79° - 142°x53° (2 sides) - 4000K - DALI - Matt Silver
LI-10032-T4-T2-W30-DI-06	LIGHT LINEAR PT 2 - LI-10032 - 2 x 24 LED - 2 x 54 W - 99°x79° - 142°x53° (2 sides) - 3000K - 1-10V - Bronze
LI-10032-T4-T2-W40-DI-06	LIGHT LINEAR PT 2 - LI-10032 - 2 x 24 LED - 2 x 54 W - 99°x79° - 142°x53° (2 sides) - 4000K - 1-10V - Bronze
LI-10032-T4-T2-W30-ND-06	LIGHT LINEAR PT 2 - LI-10032 - 2 x 24 LED - 2 x 54 W - 99°x79° - 142°x53° (2 sides) - 3000K - On/Off - Bronze
LI-10032-T4-T2-W40-ND-06	LIGHT LINEAR PT 2 - LI-10032 - 2 x 24 LED - 2 x 54 W - 99°x79° - 142°x53° (2 sides) - 4000K - On/Off - Bronze
LI-10032-T4-T2-W30-DA-02	LIGHT LINEAR PT 2 - LI-10032 - 2 x 24 LED - 2 x 54 W - 99°x79° - 142°x53° (2 sides) - 3000K - DALI - Dark Grey
LI-10032-T4-T2-W40-DA-02	LIGHT LINEAR PT 2 - LI-10032 - 2 x 24 LED - 2 x 54 W - 99°x79° - 142°x53° (2 sides) - 4000K - DALI - Dark Grey
LI-10032-T4-T2-W30-ND-05	LIGHT LINEAR PT 2 - LI-10032 - 2 x 24 LED - 2 x 54 W - 99°x79° - 142°x53° (2 sides) - 3000K - On/Off - Matt Silver
LI-10032-T4-T2-W40-ND-05	LIGHT LINEAR PT 2 - LI-10032 - 2 x 24 LED - 2 x 54 W - 99°x79° - 142°x53° (2 sides) - 4000K - On/Off - Matt Silver
LI-10032-T4-T2-W30-ND-02	LIGHT LINEAR PT 2 - LI-10032 - 2 x 24 LED - 2 x 54 W - 99°x79° - 142°x53° (2 sides) - 3000K - On/Off - Dark Grey
LI-10032-T4-T2-W40-ND-02	LIGHT LINEAR PT 2 - LI-10032 - 2 x 24 LED - 2 x 54 W - 99°x79° - 142°x53° (2 sides) - 4000K - On/Off - Dark Grey
LI-10032-T4-T2-W30-DA-06	LIGHT LINEAR PT 2 - LI-10032 - 2 x 24 LED - 2 x 54 W - 99°x79° - 142°x53° (2 sides) - 3000K - DALI - Bronze
LI-10032-T4-T2-W40-DA-06	LIGHT LINEAR PT 2 - LI-10032 - 2 x 24 LED - 2 x 54 W - 99°x79° - 142°x53° (2 sides) - 4000K - DALI - Bronze
LI-10032-T4-T2-W30-DI-02	LIGHT LINEAR PT 2 - LI-10032 - 2 x 24 LED - 2 x 54 W - 99°x79° - 142°x53° (2 sides) - 3000K - 1-10V - Dark Grey
LI-10032-T4-T2-W40-DI-02	LIGHT LINEAR PT 2 - LI-10032 - 2 x 24 LED - 2 x 54 W - 99°x79° - 142°x53° (2 sides) - 4000K - 1-10V - Dark Grey
LI-10032-T4-T2-W30-DA-01	LIGHT LINEAR PT 2 - LI-10032 - 2 x 24 LED - 2 x 54 W - 99°x79° - 142°x53° (2 sides) - 3000K - DALI - Black
LI-10032-T4-T2-W40-DA-01	LIGHT LINEAR PT 2 - LI-10032 - 2 x 24 LED - 2 x 54 W - 99°x79° - 142°x53° (2 sides) - 4000K - DALI - Black
LI-10032-T4-T2-W30-DI-01	LIGHT LINEAR PT 2 - LI-10032 - 2 x 24 LED - 2 x 54 W - 99°x79° - 142°x53° (2 sides) - 3000K - 1-10V - Black
LI-10032-T4-T2-W40-DI-01	LIGHT LINEAR PT 2 - LI-10032 - 2 x 24 LED - 2 x 54 W - 99°x79° - 142°x53° (2 sides) - 4000K - 1-10V - Black
LI-10032-T4-T2-W30-ND-03	LIGHT LINEAR PT 2 - LI-10032 - 2 x 24 LED - 2 x 54 W - 99°x79° - 142°x53° (2 sides) - 3000K - On/Off - White
LI-10032-T4-T2-W40-ND-03	LIGHT LINEAR PT 2 - LI-10032 - 2 x 24 LED - 2 x 54 W - 99°x79° - 142°x53° (2 sides) - 4000K - On/Off - White
LI-10032-T4-T2-W30-DI-03	LIGHT LINEAR PT 2 - LI-10032 - 2 x 24 LED - 2 x 54 W - 99°x79° - 142°x53° (2 sides) - 3000K - 1-10V - White
LI-10032-T4-T2-W40-DI-03	LIGHT LINEAR PT 2 - LI-10032 - 2 x 24 LED - 2 x 54 W - 99°x79° - 142°x53° (2 sides) - 4000K - 1-10V - White
LI-10032-T4-T2-W30-DI-05	LIGHT LINEAR PT 2 - LI-10032 - 2 x 24 LED - 2 x 54 W - 99°x79° - 142°x53° (2 sides) - 3000K - 1-10V - Matt Silver
LI-10032-T4-T2-W40-DI-05	LIGHT LINEAR PT 2 - LI-10032 - 2 x 24 LED - 2 x 54 W - 99°x79° - 142°x53° (2 sides) - 4000K - 1-10V - Matt Silver