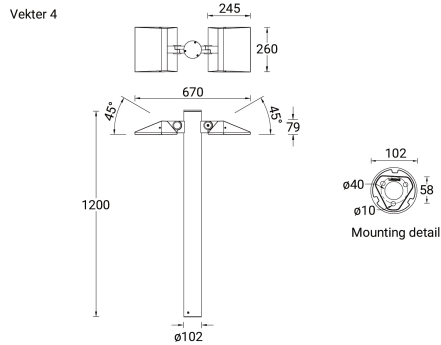


**VEKTER 4 (VK-10011)**



**Структура светильника**

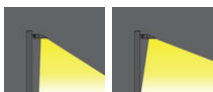
- Корпус из литого алюминия и столб из экструдированного алюминия предварительно обработаны перед нанесением порошкового покрытия, что обеспечивает высокую коррозионную стойкость
- Одинарный кабельный ввод
- Крепеж из нержавеющей стали класса 316
- Прочный уплотнитель из силиконовой резины
- Высокоэффективная оптика из ПММА
- Встроенный механизм управления



**Символ цвета**



M / W    W / M    EW / T4    T2 / T3



T3 / M    T4 / W

**Цвет товара**



-06 Бронзовый RAL 6014    -03 Белый RAL 9003    -01 Черный RAL 9011    -05 Матовый серебряный RAL 9006



-02 Тёмно-серый RAL 7043

**Описание товара**

Ø102 - 1200 mm - 2 sides

**Техническая информация**

Лампа	12 LED
Тип лампы	LED
Тип диммирования	DALI, On/Off, 1-10V
ЕЕС	A++
Материал	Aluminium
Вес	11.2 kg

Светильник	
Мощность	40 W
Люмен	4296 - 4946 lm
Эффективность	107 - 124 lm/W
ССТ	4000K, 3000K
Ток возбуждения	500 mA
Оптика	M [31°], W [53°], EW [119°], T2 [144°x50°], T3 [139°x68°], T4 [97°x77°]

Мы оставляем за собой право вносить технические и конструктивные изменения.

10:32, 17-01-2020

<https://www.ligman.com/ru/vekte-4-vk-10011/>

Европа  
LIGMAN EUROPE s.r.o.  
VGP Park Ústí nad Labem  
P 2 120  
40317, Přestanov  
Czech Republic  
+420 477 071 500  
[sales.cz@ligman.com](mailto:sales.cz@ligman.com)

Страны азиатско-тихоокеанского региона  
LIGMAN Lighting Co.,Ltd.  
17/2 Moo4 Monthong  
Bangnampreaw  
24150, Chachoengsao  
Thailand  
+66 2 108 6700  
[info@ligman.com](mailto:info@ligman.com)

**VEKTER 4 (VK-10011)**

Оптика (вверх) T2 [144°x50°], T4 [97°x77°],  
W [53°], EW [119°], M [31°],  
T3 [139°x68°]

---

**VEKTER 4 (VK-10011)****Аксессуары**

---



---

Anchor bolt  
**A10791**

---

**VEKTER 4 (VK-10011)**

Variant reference	Variant name	Люмен (Светильник)
VK-10011-M-T2-W40-DA-06	VEKTER 4 - VK-10011 - 2 x 12 LED - 2 x 20 W - 31° - 144°x50° (2 sides) - 4000K - DALI - Bronze	4892 lm
VK-10011-M-T2-W30-DA-06	VEKTER 4 - VK-10011 - 2 x 12 LED - 2 x 20 W - 31° - 144°x50° (2 sides) - 3000K - DALI - Bronze	4572 lm
VK-10011-M-T2-W40-ND-03	VEKTER 4 - VK-10011 - 2 x 12 LED - 2 x 20 W - 31° - 144°x50° (2 sides) - 4000K - On/Off - White	4892 lm
VK-10011-M-T2-W30-ND-03	VEKTER 4 - VK-10011 - 2 x 12 LED - 2 x 20 W - 31° - 144°x50° (2 sides) - 3000K - On/Off - White	4572 lm
VK-10011-M-T2-W40-DI-06	VEKTER 4 - VK-10011 - 2 x 12 LED - 2 x 20 W - 31° - 144°x50° (2 sides) - 4000K - 1-10V - Bronze	4892 lm
VK-10011-M-T2-W30-DI-06	VEKTER 4 - VK-10011 - 2 x 12 LED - 2 x 20 W - 31° - 144°x50° (2 sides) - 3000K - 1-10V - Bronze	4572 lm
VK-10011-M-T2-W40-DA-03	VEKTER 4 - VK-10011 - 2 x 12 LED - 2 x 20 W - 31° - 144°x50° (2 sides) - 4000K - DALI - White	4892 lm
VK-10011-M-T2-W30-DA-03	VEKTER 4 - VK-10011 - 2 x 12 LED - 2 x 20 W - 31° - 144°x50° (2 sides) - 3000K - DALI - White	4572 lm
VK-10011-M-T2-W40-DA-01	VEKTER 4 - VK-10011 - 2 x 12 LED - 2 x 20 W - 31° - 144°x50° (2 sides) - 4000K - DALI - Black	4892 lm
VK-10011-M-T2-W30-DA-01	VEKTER 4 - VK-10011 - 2 x 12 LED - 2 x 20 W - 31° - 144°x50° (2 sides) - 3000K - DALI - Black	4572 lm
VK-10011-M-T2-W40-DI-05	VEKTER 4 - VK-10011 - 2 x 12 LED - 2 x 20 W - 31° - 144°x50° (2 sides) - 4000K - 1-10V - Matt Silver	4892 lm
VK-10011-M-T2-W30-DI-05	VEKTER 4 - VK-10011 - 2 x 12 LED - 2 x 20 W - 31° - 144°x50° (2 sides) - 3000K - 1-10V - Matt Silver	4572 lm
VK-10011-M-T2-W40-DI-01	VEKTER 4 - VK-10011 - 2 x 12 LED - 2 x 20 W - 31° - 144°x50° (2 sides) - 4000K - 1-10V - Black	4892 lm
VK-10011-M-T2-W30-DI-01	VEKTER 4 - VK-10011 - 2 x 12 LED - 2 x 20 W - 31° - 144°x50° (2 sides) - 3000K - 1-10V - Black	4572 lm
VK-10011-M-T2-W40-DA-05	VEKTER 4 - VK-10011 - 2 x 12 LED - 2 x 20 W - 31° - 144°x50° (2 sides) - 4000K - DALI - Matt Silver	4892 lm
VK-10011-M-T2-W30-DA-05	VEKTER 4 - VK-10011 - 2 x 12 LED - 2 x 20 W - 31° - 144°x50° (2 sides) - 3000K - DALI - Matt Silver	4572 lm
VK-10011-M-T2-W40-DI-02	VEKTER 4 - VK-10011 - 2 x 12 LED - 2 x 20 W - 31° - 144°x50° (2 sides) - 4000K - 1-10V - Dark Grey	4892 lm
VK-10011-M-T2-W30-DI-02	VEKTER 4 - VK-10011 - 2 x 12 LED - 2 x 20 W - 31° - 144°x50° (2 sides) - 3000K - 1-10V - Dark Grey	4572 lm
VK-10011-M-T2-W40-DI-03	VEKTER 4 - VK-10011 - 2 x 12 LED - 2 x 20 W - 31° - 144°x50° (2 sides) - 4000K - 1-10V - White	4892 lm
VK-10011-M-T2-W30-DI-03	VEKTER 4 - VK-10011 - 2 x 12 LED - 2 x 20 W - 31° - 144°x50° (2 sides) - 3000K - 1-10V - White	4572 lm
VK-10011-M-T2-W40-ND-06	VEKTER 4 - VK-10011 - 2 x 12 LED - 2 x 20 W - 31° - 144°x50° (2 sides) - 4000K - On/Off - Bronze	4892 lm
VK-10011-M-T2-W30-ND-06	VEKTER 4 - VK-10011 - 2 x 12 LED - 2 x 20 W - 31° - 144°x50° (2 sides) - 3000K - On/Off - Bronze	4572 lm
VK-10011-M-T2-W40-ND-05	VEKTER 4 - VK-10011 - 2 x 12 LED - 2 x 20 W - 31° - 144°x50° (2 sides) - 4000K - On/Off - Matt Silver	4892 lm
VK-10011-M-T2-W30-ND-05	VEKTER 4 - VK-10011 - 2 x 12 LED - 2 x 20 W - 31° - 144°x50° (2 sides) - 3000K - On/Off - Matt Silver	4572 lm
VK-10011-M-T2-W40-ND-01	VEKTER 4 - VK-10011 - 2 x 12 LED - 2 x 20 W - 31° - 144°x50° (2 sides) - 4000K - On/Off - Black	4892 lm
VK-10011-M-T2-W30-ND-01	VEKTER 4 - VK-10011 - 2 x 12 LED - 2 x 20 W - 31° - 144°x50° (2 sides) - 3000K - On/Off - Black	4572 lm
VK-10011-M-T2-W40-DA-02	VEKTER 4 - VK-10011 - 2 x 12 LED - 2 x 20 W - 31° - 144°x50° (2 sides) - 4000K - DALI - Dark Grey	4892 lm
VK-10011-M-T2-W30-DA-02	VEKTER 4 - VK-10011 - 2 x 12 LED - 2 x 20 W - 31° - 144°x50° (2 sides) - 3000K - DALI - Dark Grey	4572 lm
VK-10011-M-T2-W40-ND-02	VEKTER 4 - VK-10011 - 2 x 12 LED - 2 x 20 W - 31° - 144°x50° (2 sides) - 4000K - On/Off - Dark Grey	4892 lm
VK-10011-M-T2-W30-ND-02	VEKTER 4 - VK-10011 - 2 x 12 LED - 2 x 20 W - 31° - 144°x50° (2 sides) - 3000K - On/Off - Dark Grey	4572 lm
VK-10011-W-T4-W40-DI-01	VEKTER 4 - VK-10011 - 2 x 12 LED - 2 x 20 W - 53° - 97°x77° (2 sides) - 4000K - 1-10V - Black	4920 lm
VK-10011-W-T4-W30-DI-01	VEKTER 4 - VK-10011 - 2 x 12 LED - 2 x 20 W - 53° - 97°x77° (2 sides) - 3000K - 1-10V - Black	4598 lm
VK-10011-W-T4-W40-ND-03	VEKTER 4 - VK-10011 - 2 x 12 LED - 2 x 20 W - 53° - 97°x77° (2 sides) - 4000K - On/Off - White	4920 lm
VK-10011-W-T4-W30-ND-03	VEKTER 4 - VK-10011 - 2 x 12 LED - 2 x 20 W - 53° - 97°x77° (2 sides) - 3000K - On/Off - White	4598 lm
VK-10011-W-T4-W40-ND-02	VEKTER 4 - VK-10011 - 2 x 12 LED - 2 x 20 W - 53° - 97°x77° (2 sides) - 4000K - On/Off - Dark Grey	4920 lm
VK-10011-W-T4-W30-ND-02	VEKTER 4 - VK-10011 - 2 x 12 LED - 2 x 20 W - 53° - 97°x77° (2 sides) - 3000K - On/Off - Dark Grey	4598 lm
VK-10011-W-T4-W40-ND-06	VEKTER 4 - VK-10011 - 2 x 12 LED - 2 x 20 W - 53° - 97°x77° (2 sides) - 4000K - On/Off - Bronze	4920 lm
VK-10011-W-T4-W30-ND-06	VEKTER 4 - VK-10011 - 2 x 12 LED - 2 x 20 W - 53° - 97°x77° (2 sides) - 3000K - On/Off - Bronze	4598 lm
VK-10011-W-T4-W40-DI-06	VEKTER 4 - VK-10011 - 2 x 12 LED - 2 x 20 W - 53° - 97°x77° (2 sides) - 4000K - 1-10V - Bronze	4920 lm
VK-10011-W-T4-W30-DI-06	VEKTER 4 - VK-10011 - 2 x 12 LED - 2 x 20 W - 53° - 97°x77° (2 sides) - 3000K - 1-10V - Bronze	4598 lm
VK-10011-W-T4-W40-DA-02	VEKTER 4 - VK-10011 - 2 x 12 LED - 2 x 20 W - 53° - 97°x77° (2 sides) - 4000K - DALI - Dark Grey	4920 lm
VK-10011-W-T4-W30-DA-02	VEKTER 4 - VK-10011 - 2 x 12 LED - 2 x 20 W - 53° - 97°x77° (2 sides) - 3000K - DALI - Dark Grey	4598 lm
VK-10011-W-T4-W40-DI-02	VEKTER 4 - VK-10011 - 2 x 12 LED - 2 x 20 W - 53° - 97°x77° (2 sides) - 4000K - 1-10V - Dark Grey	4920 lm
VK-10011-W-T4-W30-DI-02	VEKTER 4 - VK-10011 - 2 x 12 LED - 2 x 20 W - 53° - 97°x77° (2 sides) - 3000K - 1-10V - Dark Grey	4598 lm
VK-10011-W-T4-W40-ND-05	VEKTER 4 - VK-10011 - 2 x 12 LED - 2 x 20 W - 53° - 97°x77° (2 sides) - 4000K - On/Off - Matt Silver	4920 lm
VK-10011-W-T4-W30-ND-05	VEKTER 4 - VK-10011 - 2 x 12 LED - 2 x 20 W - 53° - 97°x77° (2 sides) - 3000K - On/Off - Matt Silver	4598 lm
VK-10011-W-T4-W40-DI-05	VEKTER 4 - VK-10011 - 2 x 12 LED - 2 x 20 W - 53° - 97°x77° (2 sides) - 4000K - 1-10V - Matt Silver	4920 lm
VK-10011-W-T4-W30-DI-05	VEKTER 4 - VK-10011 - 2 x 12 LED - 2 x 20 W - 53° - 97°x77° (2 sides) - 3000K - 1-10V - Matt Silver	4598 lm
VK-10011-W-T4-W40-ND-01	VEKTER 4 - VK-10011 - 2 x 12 LED - 2 x 20 W - 53° - 97°x77° (2 sides) - 4000K - On/Off - Black	4920 lm
VK-10011-W-T4-W30-ND-01	VEKTER 4 - VK-10011 - 2 x 12 LED - 2 x 20 W - 53° - 97°x77° (2 sides) - 3000K - On/Off - Black	4598 lm
VK-10011-W-T4-W40-DI-03	VEKTER 4 - VK-10011 - 2 x 12 LED - 2 x 20 W - 53° - 97°x77° (2 sides) - 4000K - 1-10V - White	4920 lm
VK-10011-W-T4-W30-DI-03	VEKTER 4 - VK-10011 - 2 x 12 LED - 2 x 20 W - 53° - 97°x77° (2 sides) - 3000K - 1-10V - White	4598 lm
VK-10011-W-T4-W40-DA-06	VEKTER 4 - VK-10011 - 2 x 12 LED - 2 x 20 W - 53° - 97°x77° (2 sides) - 4000K - DALI - Bronze	4920 lm
VK-10011-W-T4-W30-DA-06	VEKTER 4 - VK-10011 - 2 x 12 LED - 2 x 20 W - 53° - 97°x77° (2 sides) - 3000K - DALI - Bronze	4598 lm
VK-10011-W-T4-W40-DA-01	VEKTER 4 - VK-10011 - 2 x 12 LED - 2 x 20 W - 53° - 97°x77° (2 sides) - 4000K - DALI - Black	4920 lm
VK-10011-W-T4-W30-DA-01	VEKTER 4 - VK-10011 - 2 x 12 LED - 2 x 20 W - 53° - 97°x77° (2 sides) - 3000K - DALI - Black	4598 lm
VK-10011-W-T4-W40-DA-05	VEKTER 4 - VK-10011 - 2 x 12 LED - 2 x 20 W - 53° - 97°x77° (2 sides) - 4000K - DALI - Matt Silver	4920 lm
VK-10011-W-T4-W30-DA-05	VEKTER 4 - VK-10011 - 2 x 12 LED - 2 x 20 W - 53° - 97°x77° (2 sides) - 3000K - DALI - Matt Silver	4598 lm

Мы оставляем за собой право вносить технические и конструктивные изменения.

10:32, 17-01-2020

<https://www.ligman.com/ru/vekte-4-vk-10011/>

Европа  
LIGMAN EUROPE s.r.o.  
VGP Park Ústí nad Labem  
P 2 120  
40317, Přestanov  
Czech Republic  
+420 477 071 500  
[sales.cz@ligman.com](mailto:sales.cz@ligman.com)

Страны азиатско-тихоокеанского региона  
LIGMAN Lighting Co.,Ltd.  
17/2 Moo4 Monthong  
Bangnampreaw  
24150, Chachoengsao  
Thailand  
+66 2 108 6700  
[info@ligman.com](mailto:info@ligman.com)

**VEKTER 4 (VK-10011)**

VK-10011-W-T4-W40-DA-03	VEKTER 4 - VK-10011 - 2 x 12 LED - 2 x 20 W - 53° - 97°x77° (2 sides) - 4000K - DALI - White	4920 lm
VK-10011-W-T4-W30-DA-03	VEKTER 4 - VK-10011 - 2 x 12 LED - 2 x 20 W - 53° - 97°x77° (2 sides) - 3000K - DALI - White	4598 lm
VK-10011-EW-W-W40-DA-06	VEKTER 4 - VK-10011 - 2 x 12 LED - 2 x 20 W - 119° - 53° (2 sides) - 4000K - DALI - Bronze	4946 lm
VK-10011-EW-W-W30-DA-06	VEKTER 4 - VK-10011 - 2 x 12 LED - 2 x 20 W - 119° - 53° (2 sides) - 3000K - DALI - Bronze	4624 lm
VK-10011-EW-W-W40-DI-05	VEKTER 4 - VK-10011 - 2 x 12 LED - 2 x 20 W - 119° - 53° (2 sides) - 4000K - 1-10V - Matt Silver	4946 lm
VK-10011-EW-W-W30-DI-05	VEKTER 4 - VK-10011 - 2 x 12 LED - 2 x 20 W - 119° - 53° (2 sides) - 3000K - 1-10V - Matt Silver	4624 lm
VK-10011-EW-W-W40-DA-01	VEKTER 4 - VK-10011 - 2 x 12 LED - 2 x 20 W - 119° - 53° (2 sides) - 4000K - DALI - Black	4946 lm
VK-10011-EW-W-W30-DA-01	VEKTER 4 - VK-10011 - 2 x 12 LED - 2 x 20 W - 119° - 53° (2 sides) - 3000K - DALI - Black	4624 lm
VK-10011-EW-W-W40-DA-05	VEKTER 4 - VK-10011 - 2 x 12 LED - 2 x 20 W - 119° - 53° (2 sides) - 4000K - DALI - Matt Silver	4946 lm
VK-10011-EW-W-W30-DA-05	VEKTER 4 - VK-10011 - 2 x 12 LED - 2 x 20 W - 119° - 53° (2 sides) - 3000K - DALI - Matt Silver	4624 lm
VK-10011-EW-W-W40-ND-01	VEKTER 4 - VK-10011 - 2 x 12 LED - 2 x 20 W - 119° - 53° (2 sides) - 4000K - On/Off - Black	4946 lm
VK-10011-EW-W-W30-ND-01	VEKTER 4 - VK-10011 - 2 x 12 LED - 2 x 20 W - 119° - 53° (2 sides) - 3000K - On/Off - Black	4624 lm
VK-10011-EW-W-W40-DI-02	VEKTER 4 - VK-10011 - 2 x 12 LED - 2 x 20 W - 119° - 53° (2 sides) - 4000K - 1-10V - Dark Grey	4946 lm
VK-10011-EW-W-W30-DI-02	VEKTER 4 - VK-10011 - 2 x 12 LED - 2 x 20 W - 119° - 53° (2 sides) - 3000K - 1-10V - Dark Grey	4624 lm
VK-10011-EW-W-W40-ND-02	VEKTER 4 - VK-10011 - 2 x 12 LED - 2 x 20 W - 119° - 53° (2 sides) - 4000K - On/Off - Dark Grey	4946 lm
VK-10011-EW-W-W30-ND-02	VEKTER 4 - VK-10011 - 2 x 12 LED - 2 x 20 W - 119° - 53° (2 sides) - 3000K - On/Off - Dark Grey	4624 lm
VK-10011-EW-W-W40-DI-03	VEKTER 4 - VK-10011 - 2 x 12 LED - 2 x 20 W - 119° - 53° (2 sides) - 4000K - 1-10V - White	4946 lm
VK-10011-EW-W-W30-DI-03	VEKTER 4 - VK-10011 - 2 x 12 LED - 2 x 20 W - 119° - 53° (2 sides) - 3000K - 1-10V - White	4624 lm
VK-10011-EW-W-W40-DI-06	VEKTER 4 - VK-10011 - 2 x 12 LED - 2 x 20 W - 119° - 53° (2 sides) - 4000K - 1-10V - Bronze	4946 lm
VK-10011-EW-W-W30-DI-06	VEKTER 4 - VK-10011 - 2 x 12 LED - 2 x 20 W - 119° - 53° (2 sides) - 3000K - 1-10V - Bronze	4624 lm
VK-10011-EW-W-W40-ND-05	VEKTER 4 - VK-10011 - 2 x 12 LED - 2 x 20 W - 119° - 53° (2 sides) - 4000K - On/Off - Matt Silver	4946 lm
VK-10011-EW-W-W30-ND-05	VEKTER 4 - VK-10011 - 2 x 12 LED - 2 x 20 W - 119° - 53° (2 sides) - 3000K - On/Off - Matt Silver	4624 lm
VK-10011-EW-W-W40-ND-06	VEKTER 4 - VK-10011 - 2 x 12 LED - 2 x 20 W - 119° - 53° (2 sides) - 4000K - On/Off - Bronze	4946 lm
VK-10011-EW-W-W30-ND-06	VEKTER 4 - VK-10011 - 2 x 12 LED - 2 x 20 W - 119° - 53° (2 sides) - 3000K - On/Off - Bronze	4624 lm
VK-10011-EW-W-W40-DI-01	VEKTER 4 - VK-10011 - 2 x 12 LED - 2 x 20 W - 119° - 53° (2 sides) - 4000K - 1-10V - Black	4946 lm
VK-10011-EW-W-W30-DI-01	VEKTER 4 - VK-10011 - 2 x 12 LED - 2 x 20 W - 119° - 53° (2 sides) - 3000K - 1-10V - Black	4624 lm
VK-10011-EW-W-W40-ND-03	VEKTER 4 - VK-10011 - 2 x 12 LED - 2 x 20 W - 119° - 53° (2 sides) - 4000K - On/Off - White	4946 lm
VK-10011-EW-W-W30-ND-03	VEKTER 4 - VK-10011 - 2 x 12 LED - 2 x 20 W - 119° - 53° (2 sides) - 3000K - On/Off - White	4624 lm
VK-10011-EW-W-W40-DA-02	VEKTER 4 - VK-10011 - 2 x 12 LED - 2 x 20 W - 119° - 53° (2 sides) - 4000K - DALI - Dark Grey	4946 lm
VK-10011-EW-W-W30-DA-02	VEKTER 4 - VK-10011 - 2 x 12 LED - 2 x 20 W - 119° - 53° (2 sides) - 3000K - DALI - Dark Grey	4624 lm
VK-10011-EW-W-W40-DA-03	VEKTER 4 - VK-10011 - 2 x 12 LED - 2 x 20 W - 119° - 53° (2 sides) - 4000K - DALI - White	4946 lm
VK-10011-EW-W-W30-DA-03	VEKTER 4 - VK-10011 - 2 x 12 LED - 2 x 20 W - 119° - 53° (2 sides) - 3000K - DALI - White	4624 lm
VK-10011-T2-W-W30-DI-02	VEKTER 4 - VK-10011 - 2 x 12 LED - 2 x 20 W - 144°x50° - 53° (2 sides) - 3000K - 1-10V - Dark Grey	4318 lm
VK-10011-T2-W-W40-DI-02	VEKTER 4 - VK-10011 - 2 x 12 LED - 2 x 20 W - 144°x50° - 53° (2 sides) - 4000K - 1-10V - Dark Grey	4620 lm
VK-10011-T2-W-W30-DA-06	VEKTER 4 - VK-10011 - 2 x 12 LED - 2 x 20 W - 144°x50° - 53° (2 sides) - 3000K - DALI - Bronze	4318 lm
VK-10011-T2-W-W40-DA-06	VEKTER 4 - VK-10011 - 2 x 12 LED - 2 x 20 W - 144°x50° - 53° (2 sides) - 4000K - DALI - Bronze	4620 lm
VK-10011-T2-W-W30-ND-06	VEKTER 4 - VK-10011 - 2 x 12 LED - 2 x 20 W - 144°x50° - 53° (2 sides) - 3000K - On/Off - Bronze	4318 lm
VK-10011-T2-W-W40-ND-06	VEKTER 4 - VK-10011 - 2 x 12 LED - 2 x 20 W - 144°x50° - 53° (2 sides) - 4000K - On/Off - Bronze	4620 lm
VK-10011-T2-W-W30-DA-01	VEKTER 4 - VK-10011 - 2 x 12 LED - 2 x 20 W - 144°x50° - 53° (2 sides) - 3000K - DALI - Black	4318 lm
VK-10011-T2-W-W40-DA-01	VEKTER 4 - VK-10011 - 2 x 12 LED - 2 x 20 W - 144°x50° - 53° (2 sides) - 4000K - DALI - Black	4620 lm
VK-10011-T2-W-W30-ND-02	VEKTER 4 - VK-10011 - 2 x 12 LED - 2 x 20 W - 144°x50° - 53° (2 sides) - 3000K - On/Off - Dark Grey	4318 lm
VK-10011-T2-W-W40-ND-02	VEKTER 4 - VK-10011 - 2 x 12 LED - 2 x 20 W - 144°x50° - 53° (2 sides) - 4000K - On/Off - Dark Grey	4620 lm
VK-10011-T2-W-W30-DI-06	VEKTER 4 - VK-10011 - 2 x 12 LED - 2 x 20 W - 144°x50° - 53° (2 sides) - 3000K - 1-10V - Bronze	4318 lm
VK-10011-T2-W-W40-DI-06	VEKTER 4 - VK-10011 - 2 x 12 LED - 2 x 20 W - 144°x50° - 53° (2 sides) - 4000K - 1-10V - Bronze	4620 lm
VK-10011-T2-W-W30-DI-05	VEKTER 4 - VK-10011 - 2 x 12 LED - 2 x 20 W - 144°x50° - 53° (2 sides) - 3000K - 1-10V - Matt Silver	4318 lm
VK-10011-T2-W-W40-DI-05	VEKTER 4 - VK-10011 - 2 x 12 LED - 2 x 20 W - 144°x50° - 53° (2 sides) - 4000K - 1-10V - Matt Silver	4620 lm
VK-10011-T2-W-W30-ND-01	VEKTER 4 - VK-10011 - 2 x 12 LED - 2 x 20 W - 144°x50° - 53° (2 sides) - 3000K - On/Off - Black	4318 lm
VK-10011-T2-W-W40-ND-01	VEKTER 4 - VK-10011 - 2 x 12 LED - 2 x 20 W - 144°x50° - 53° (2 sides) - 4000K - On/Off - Black	4620 lm
VK-10011-T2-W-W30-DI-03	VEKTER 4 - VK-10011 - 2 x 12 LED - 2 x 20 W - 144°x50° - 53° (2 sides) - 3000K - 1-10V - White	4318 lm
VK-10011-T2-W-W40-DI-03	VEKTER 4 - VK-10011 - 2 x 12 LED - 2 x 20 W - 144°x50° - 53° (2 sides) - 4000K - 1-10V - White	4620 lm
VK-10011-T2-W-W30-ND-05	VEKTER 4 - VK-10011 - 2 x 12 LED - 2 x 20 W - 144°x50° - 53° (2 sides) - 3000K - On/Off - Matt Silver	4318 lm
VK-10011-T2-W-W40-ND-05	VEKTER 4 - VK-10011 - 2 x 12 LED - 2 x 20 W - 144°x50° - 53° (2 sides) - 4000K - On/Off - Matt Silver	4620 lm
VK-10011-T2-W-W30-DA-02	VEKTER 4 - VK-10011 - 2 x 12 LED - 2 x 20 W - 144°x50° - 53° (2 sides) - 3000K - DALI - Dark Grey	4318 lm
VK-10011-T2-W-W40-DA-02	VEKTER 4 - VK-10011 - 2 x 12 LED - 2 x 20 W - 144°x50° - 53° (2 sides) - 4000K - DALI - Dark Grey	4620 lm
VK-10011-T2-W-W30-DA-05	VEKTER 4 - VK-10011 - 2 x 12 LED - 2 x 20 W - 144°x50° - 53° (2 sides) - 3000K - DALI - Matt Silver	4318 lm
VK-10011-T2-W-W40-DA-05	VEKTER 4 - VK-10011 - 2 x 12 LED - 2 x 20 W - 144°x50° - 53° (2 sides) - 4000K - DALI - Matt Silver	4620 lm
VK-10011-T2-W-W30-DA-03	VEKTER 4 - VK-10011 - 2 x 12 LED - 2 x 20 W - 144°x50° - 53° (2 sides) - 3000K - DALI - White	4318 lm
VK-10011-T2-W-W40-DA-03	VEKTER 4 - VK-10011 - 2 x 12 LED - 2 x 20 W - 144°x50° - 53° (2 sides) - 4000K - DALI - White	4620 lm
VK-10011-T2-W-W30-DI-01	VEKTER 4 - VK-10011 - 2 x 12 LED - 2 x 20 W - 144°x50° - 53° (2 sides) - 3000K - 1-10V - Black	4318 lm

**VEKTER 4 (VK-10011)**

VK-10011-T2-W-W40-DI-01	VEKTER 4 - VK-10011 - 2 x 12 LED - 2 x 20 W - 144°x50° - 53° (2 sides) - 4000K - 1-10V - Black	4620 lm
VK-10011-T2-W-W30-ND-03	VEKTER 4 - VK-10011 - 2 x 12 LED - 2 x 20 W - 144°x50° - 53° (2 sides) - 3000K - On/Off - White	4318 lm
VK-10011-T2-W-W40-ND-03	VEKTER 4 - VK-10011 - 2 x 12 LED - 2 x 20 W - 144°x50° - 53° (2 sides) - 4000K - On/Off - White	4620 lm
VK-10011-T3-T4-W30-DA-06	VEKTER 4 - VK-10011 - 2 x 12 LED - 2 x 20 W - 139°x68° - 97°x77° (2 sides) - 3000K - DALI - Bronze	4296 lm
VK-10011-T3-T4-W40-DA-06	VEKTER 4 - VK-10011 - 2 x 12 LED - 2 x 20 W - 139°x68° - 97°x77° (2 sides) - 4000K - DALI - Bronze	4596 lm
VK-10011-T3-T4-W30-DA-02	VEKTER 4 - VK-10011 - 2 x 12 LED - 2 x 20 W - 139°x68° - 97°x77° (2 sides) - 3000K - DALI - Dark Grey	4296 lm
VK-10011-T3-T4-W40-DA-02	VEKTER 4 - VK-10011 - 2 x 12 LED - 2 x 20 W - 139°x68° - 97°x77° (2 sides) - 4000K - DALI - Dark Grey	4596 lm
VK-10011-T3-T4-W30-DI-05	VEKTER 4 - VK-10011 - 2 x 12 LED - 2 x 20 W - 139°x68° - 97°x77° (2 sides) - 3000K - 1-10V - Matt Silver	4296 lm
VK-10011-T3-T4-W40-DI-05	VEKTER 4 - VK-10011 - 2 x 12 LED - 2 x 20 W - 139°x68° - 97°x77° (2 sides) - 4000K - 1-10V - Matt Silver	4596 lm
VK-10011-T3-T4-W30-DA-03	VEKTER 4 - VK-10011 - 2 x 12 LED - 2 x 20 W - 139°x68° - 97°x77° (2 sides) - 3000K - DALI - White	4296 lm
VK-10011-T3-T4-W40-DA-03	VEKTER 4 - VK-10011 - 2 x 12 LED - 2 x 20 W - 139°x68° - 97°x77° (2 sides) - 4000K - DALI - White	4596 lm
VK-10011-T3-T4-W30-DI-02	VEKTER 4 - VK-10011 - 2 x 12 LED - 2 x 20 W - 139°x68° - 97°x77° (2 sides) - 3000K - 1-10V - Dark Grey	4296 lm
VK-10011-T3-T4-W40-DI-02	VEKTER 4 - VK-10011 - 2 x 12 LED - 2 x 20 W - 139°x68° - 97°x77° (2 sides) - 4000K - 1-10V - Dark Grey	4596 lm
VK-10011-T3-T4-W30-DI-03	VEKTER 4 - VK-10011 - 2 x 12 LED - 2 x 20 W - 139°x68° - 97°x77° (2 sides) - 3000K - 1-10V - White	4296 lm
VK-10011-T3-T4-W40-DI-03	VEKTER 4 - VK-10011 - 2 x 12 LED - 2 x 20 W - 139°x68° - 97°x77° (2 sides) - 4000K - 1-10V - White	4596 lm
VK-10011-T3-T4-W30-ND-02	VEKTER 4 - VK-10011 - 2 x 12 LED - 2 x 20 W - 139°x68° - 97°x77° (2 sides) - 3000K - On/Off - Dark Grey	4296 lm
VK-10011-T3-T4-W40-ND-02	VEKTER 4 - VK-10011 - 2 x 12 LED - 2 x 20 W - 139°x68° - 97°x77° (2 sides) - 4000K - On/Off - Dark Grey	4596 lm
VK-10011-T3-T4-W30-DA-05	VEKTER 4 - VK-10011 - 2 x 12 LED - 2 x 20 W - 139°x68° - 97°x77° (2 sides) - 3000K - DALI - Matt Silver	4296 lm
VK-10011-T3-T4-W40-DA-05	VEKTER 4 - VK-10011 - 2 x 12 LED - 2 x 20 W - 139°x68° - 97°x77° (2 sides) - 4000K - DALI - Matt Silver	4596 lm
VK-10011-T3-T4-W30-DI-06	VEKTER 4 - VK-10011 - 2 x 12 LED - 2 x 20 W - 139°x68° - 97°x77° (2 sides) - 3000K - 1-10V - Bronze	4296 lm
VK-10011-T3-T4-W40-DI-06	VEKTER 4 - VK-10011 - 2 x 12 LED - 2 x 20 W - 139°x68° - 97°x77° (2 sides) - 4000K - 1-10V - Bronze	4596 lm
VK-10011-T3-T4-W30-DI-01	VEKTER 4 - VK-10011 - 2 x 12 LED - 2 x 20 W - 139°x68° - 97°x77° (2 sides) - 3000K - 1-10V - Black	4296 lm
VK-10011-T3-T4-W40-DI-01	VEKTER 4 - VK-10011 - 2 x 12 LED - 2 x 20 W - 139°x68° - 97°x77° (2 sides) - 4000K - 1-10V - Black	4596 lm
VK-10011-T3-T4-W30-ND-05	VEKTER 4 - VK-10011 - 2 x 12 LED - 2 x 20 W - 139°x68° - 97°x77° (2 sides) - 3000K - On/Off - Matt Silver	4296 lm
VK-10011-T3-T4-W40-ND-05	VEKTER 4 - VK-10011 - 2 x 12 LED - 2 x 20 W - 139°x68° - 97°x77° (2 sides) - 4000K - On/Off - Matt Silver	4596 lm
VK-10011-T3-T4-W30-DA-01	VEKTER 4 - VK-10011 - 2 x 12 LED - 2 x 20 W - 139°x68° - 97°x77° (2 sides) - 3000K - DALI - Black	4296 lm
VK-10011-T3-T4-W40-DA-01	VEKTER 4 - VK-10011 - 2 x 12 LED - 2 x 20 W - 139°x68° - 97°x77° (2 sides) - 4000K - DALI - Black	4596 lm
VK-10011-T3-T4-W30-ND-06	VEKTER 4 - VK-10011 - 2 x 12 LED - 2 x 20 W - 139°x68° - 97°x77° (2 sides) - 3000K - On/Off - Bronze	4296 lm
VK-10011-T3-T4-W40-ND-06	VEKTER 4 - VK-10011 - 2 x 12 LED - 2 x 20 W - 139°x68° - 97°x77° (2 sides) - 4000K - On/Off - Bronze	4596 lm
VK-10011-T3-T4-W30-ND-03	VEKTER 4 - VK-10011 - 2 x 12 LED - 2 x 20 W - 139°x68° - 97°x77° (2 sides) - 3000K - On/Off - White	4296 lm
VK-10011-T3-T4-W40-ND-03	VEKTER 4 - VK-10011 - 2 x 12 LED - 2 x 20 W - 139°x68° - 97°x77° (2 sides) - 4000K - On/Off - White	4596 lm
VK-10011-T3-T4-W30-ND-01	VEKTER 4 - VK-10011 - 2 x 12 LED - 2 x 20 W - 139°x68° - 97°x77° (2 sides) - 3000K - On/Off - Black	4296 lm
VK-10011-T3-T4-W40-ND-01	VEKTER 4 - VK-10011 - 2 x 12 LED - 2 x 20 W - 139°x68° - 97°x77° (2 sides) - 4000K - On/Off - Black	4596 lm
VK-10011-T4-EW-W30-ND-02	VEKTER 4 - VK-10011 - 2 x 12 LED - 2 x 20 W - 97°x77° - 119° (2 sides) - 3000K - On/Off - Dark Grey	4306 lm
VK-10011-T4-EW-W40-ND-02	VEKTER 4 - VK-10011 - 2 x 12 LED - 2 x 20 W - 97°x77° - 119° (2 sides) - 4000K - On/Off - Dark Grey	4606 lm
VK-10011-T4-EW-W30-DA-01	VEKTER 4 - VK-10011 - 2 x 12 LED - 2 x 20 W - 97°x77° - 119° (2 sides) - 3000K - DALI - Black	4306 lm
VK-10011-T4-EW-W40-DA-01	VEKTER 4 - VK-10011 - 2 x 12 LED - 2 x 20 W - 97°x77° - 119° (2 sides) - 4000K - DALI - Black	4606 lm
VK-10011-T4-EW-W30-ND-06	VEKTER 4 - VK-10011 - 2 x 12 LED - 2 x 20 W - 97°x77° - 119° (2 sides) - 3000K - On/Off - Bronze	4306 lm
VK-10011-T4-EW-W40-ND-06	VEKTER 4 - VK-10011 - 2 x 12 LED - 2 x 20 W - 97°x77° - 119° (2 sides) - 4000K - On/Off - Bronze	4606 lm
VK-10011-T4-EW-W30-ND-01	VEKTER 4 - VK-10011 - 2 x 12 LED - 2 x 20 W - 97°x77° - 119° (2 sides) - 3000K - On/Off - Black	4306 lm
VK-10011-T4-EW-W40-ND-01	VEKTER 4 - VK-10011 - 2 x 12 LED - 2 x 20 W - 97°x77° - 119° (2 sides) - 4000K - On/Off - Black	4606 lm
VK-10011-T4-EW-W30-DA-05	VEKTER 4 - VK-10011 - 2 x 12 LED - 2 x 20 W - 97°x77° - 119° (2 sides) - 3000K - DALI - Matt Silver	4306 lm
VK-10011-T4-EW-W40-DA-05	VEKTER 4 - VK-10011 - 2 x 12 LED - 2 x 20 W - 97°x77° - 119° (2 sides) - 4000K - DALI - Matt Silver	4606 lm
VK-10011-T4-EW-W30-DA-03	VEKTER 4 - VK-10011 - 2 x 12 LED - 2 x 20 W - 97°x77° - 119° (2 sides) - 3000K - DALI - White	4306 lm
VK-10011-T4-EW-W40-DA-03	VEKTER 4 - VK-10011 - 2 x 12 LED - 2 x 20 W - 97°x77° - 119° (2 sides) - 4000K - DALI - White	4606 lm
VK-10011-T4-EW-W30-DA-06	VEKTER 4 - VK-10011 - 2 x 12 LED - 2 x 20 W - 97°x77° - 119° (2 sides) - 3000K - DALI - Bronze	4306 lm
VK-10011-T4-EW-W40-DA-06	VEKTER 4 - VK-10011 - 2 x 12 LED - 2 x 20 W - 97°x77° - 119° (2 sides) - 4000K - DALI - Bronze	4606 lm
VK-10011-T4-EW-W30-DI-01	VEKTER 4 - VK-10011 - 2 x 12 LED - 2 x 20 W - 97°x77° - 119° (2 sides) - 3000K - 1-10V - Black	4306 lm
VK-10011-T4-EW-W40-DI-01	VEKTER 4 - VK-10011 - 2 x 12 LED - 2 x 20 W - 97°x77° - 119° (2 sides) - 4000K - 1-10V - Black	4606 lm
VK-10011-T4-EW-W30-ND-05	VEKTER 4 - VK-10011 - 2 x 12 LED - 2 x 20 W - 97°x77° - 119° (2 sides) - 3000K - On/Off - Matt Silver	4306 lm
VK-10011-T4-EW-W40-ND-05	VEKTER 4 - VK-10011 - 2 x 12 LED - 2 x 20 W - 97°x77° - 119° (2 sides) - 4000K - On/Off - Matt Silver	4606 lm
VK-10011-T4-EW-W30-DI-03	VEKTER 4 - VK-10011 - 2 x 12 LED - 2 x 20 W - 97°x77° - 119° (2 sides) - 3000K - 1-10V - White	4306 lm
VK-10011-T4-EW-W40-DI-03	VEKTER 4 - VK-10011 - 2 x 12 LED - 2 x 20 W - 97°x77° - 119° (2 sides) - 4000K - 1-10V - White	4606 lm
VK-10011-T4-EW-W30-DI-05	VEKTER 4 - VK-10011 - 2 x 12 LED - 2 x 20 W - 97°x77° - 119° (2 sides) - 3000K - 1-10V - Matt Silver	4306 lm
VK-10011-T4-EW-W40-DI-05	VEKTER 4 - VK-10011 - 2 x 12 LED - 2 x 20 W - 97°x77° - 119° (2 sides) - 4000K - 1-10V - Matt Silver	4606 lm
VK-10011-T4-EW-W30-ND-03	VEKTER 4 - VK-10011 - 2 x 12 LED - 2 x 20 W - 97°x77° - 119° (2 sides) - 3000K - On/Off - White	4306 lm
VK-10011-T4-EW-W40-ND-03	VEKTER 4 - VK-10011 - 2 x 12 LED - 2 x 20 W - 97°x77° - 119° (2 sides) - 4000K - On/Off - White	4606 lm
VK-10011-T4-EW-W30-DA-02	VEKTER 4 - VK-10011 - 2 x 12 LED - 2 x 20 W - 97°x77° - 119° (2 sides) - 3000K - DALI - Dark Grey	4306 lm
VK-10011-T4-EW-W40-DA-02	VEKTER 4 - VK-10011 - 2 x 12 LED - 2 x 20 W - 97°x77° - 119° (2 sides) - 4000K - DALI - Dark Grey	4606 lm

**VEKTER 4 (VK-10011)**

VK-10011-T4-EW-W30-DI-02	VEKTER 4 - VK-10011 - 2 x 12 LED - 2 x 20 W - 97°x77° - 119° (2 sides) - 3000K - 1-10V - Dark Grey	4306 lm
VK-10011-T4-EW-W40-DI-02	VEKTER 4 - VK-10011 - 2 x 12 LED - 2 x 20 W - 97°x77° - 119° (2 sides) - 4000K - 1-10V - Dark Grey	4606 lm
VK-10011-T4-EW-W30-DI-06	VEKTER 4 - VK-10011 - 2 x 12 LED - 2 x 20 W - 97°x77° - 119° (2 sides) - 3000K - 1-10V - Bronze	4306 lm
VK-10011-T4-EW-W40-DI-06	VEKTER 4 - VK-10011 - 2 x 12 LED - 2 x 20 W - 97°x77° - 119° (2 sides) - 4000K - 1-10V - Bronze	4606 lm
VK-10011-EW-T2-W40-DI-06	VEKTER 4 - VK-10011 - 2 x 12 LED - 2 x 20 W - 119° - 144°x50° (2 sides) - 4000K - 1-10V - Bronze	4946 lm
VK-10011-EW-T2-W30-DI-06	VEKTER 4 - VK-10011 - 2 x 12 LED - 2 x 20 W - 119° - 144°x50° (2 sides) - 3000K - 1-10V - Bronze	4624 lm
VK-10011-EW-T2-W40-DI-03	VEKTER 4 - VK-10011 - 2 x 12 LED - 2 x 20 W - 119° - 144°x50° (2 sides) - 4000K - 1-10V - White	4946 lm
VK-10011-EW-T2-W30-DI-03	VEKTER 4 - VK-10011 - 2 x 12 LED - 2 x 20 W - 119° - 144°x50° (2 sides) - 3000K - 1-10V - White	4624 lm
VK-10011-EW-T2-W40-DA-03	VEKTER 4 - VK-10011 - 2 x 12 LED - 2 x 20 W - 119° - 144°x50° (2 sides) - 4000K - DALI - White	4946 lm
VK-10011-EW-T2-W30-DA-03	VEKTER 4 - VK-10011 - 2 x 12 LED - 2 x 20 W - 119° - 144°x50° (2 sides) - 3000K - DALI - White	4624 lm
VK-10011-EW-T2-W40-DA-06	VEKTER 4 - VK-10011 - 2 x 12 LED - 2 x 20 W - 119° - 144°x50° (2 sides) - 4000K - DALI - Bronze	4946 lm
VK-10011-EW-T2-W30-DA-06	VEKTER 4 - VK-10011 - 2 x 12 LED - 2 x 20 W - 119° - 144°x50° (2 sides) - 3000K - DALI - Bronze	4624 lm
VK-10011-EW-T2-W40-DI-01	VEKTER 4 - VK-10011 - 2 x 12 LED - 2 x 20 W - 119° - 144°x50° (2 sides) - 4000K - 1-10V - Black	4946 lm
VK-10011-EW-T2-W30-DI-01	VEKTER 4 - VK-10011 - 2 x 12 LED - 2 x 20 W - 119° - 144°x50° (2 sides) - 3000K - 1-10V - Black	4624 lm
VK-10011-EW-T2-W40-DA-01	VEKTER 4 - VK-10011 - 2 x 12 LED - 2 x 20 W - 119° - 144°x50° (2 sides) - 4000K - DALI - Black	4946 lm
VK-10011-EW-T2-W30-DA-01	VEKTER 4 - VK-10011 - 2 x 12 LED - 2 x 20 W - 119° - 144°x50° (2 sides) - 3000K - DALI - Black	4624 lm
VK-10011-EW-T2-W40-DA-02	VEKTER 4 - VK-10011 - 2 x 12 LED - 2 x 20 W - 119° - 144°x50° (2 sides) - 4000K - DALI - Dark Grey	4946 lm
VK-10011-EW-T2-W30-DA-02	VEKTER 4 - VK-10011 - 2 x 12 LED - 2 x 20 W - 119° - 144°x50° (2 sides) - 3000K - DALI - Dark Grey	4624 lm
VK-10011-EW-T2-W40-DI-05	VEKTER 4 - VK-10011 - 2 x 12 LED - 2 x 20 W - 119° - 144°x50° (2 sides) - 4000K - 1-10V - Matt Silver	4946 lm
VK-10011-EW-T2-W30-DI-05	VEKTER 4 - VK-10011 - 2 x 12 LED - 2 x 20 W - 119° - 144°x50° (2 sides) - 3000K - 1-10V - Matt Silver	4624 lm
VK-10011-EW-T2-W40-DA-05	VEKTER 4 - VK-10011 - 2 x 12 LED - 2 x 20 W - 119° - 144°x50° (2 sides) - 4000K - DALI - Matt Silver	4946 lm
VK-10011-EW-T2-W30-DA-05	VEKTER 4 - VK-10011 - 2 x 12 LED - 2 x 20 W - 119° - 144°x50° (2 sides) - 3000K - DALI - Matt Silver	4624 lm
VK-10011-EW-T2-W40-DI-02	VEKTER 4 - VK-10011 - 2 x 12 LED - 2 x 20 W - 119° - 144°x50° (2 sides) - 4000K - 1-10V - Dark Grey	4946 lm
VK-10011-EW-T2-W30-DI-02	VEKTER 4 - VK-10011 - 2 x 12 LED - 2 x 20 W - 119° - 144°x50° (2 sides) - 3000K - 1-10V - Dark Grey	4624 lm
VK-10011-EW-T2-W40-ND-01	VEKTER 4 - VK-10011 - 2 x 12 LED - 2 x 20 W - 119° - 144°x50° (2 sides) - 4000K - On/Off - Black	4946 lm
VK-10011-EW-T2-W30-ND-01	VEKTER 4 - VK-10011 - 2 x 12 LED - 2 x 20 W - 119° - 144°x50° (2 sides) - 3000K - On/Off - Black	4624 lm
VK-10011-EW-T2-W40-ND-06	VEKTER 4 - VK-10011 - 2 x 12 LED - 2 x 20 W - 119° - 144°x50° (2 sides) - 4000K - On/Off - Bronze	4946 lm
VK-10011-EW-T2-W30-ND-06	VEKTER 4 - VK-10011 - 2 x 12 LED - 2 x 20 W - 119° - 144°x50° (2 sides) - 3000K - On/Off - Bronze	4624 lm
VK-10011-EW-T2-W40-ND-03	VEKTER 4 - VK-10011 - 2 x 12 LED - 2 x 20 W - 119° - 144°x50° (2 sides) - 4000K - On/Off - White	4946 lm
VK-10011-EW-T2-W30-ND-03	VEKTER 4 - VK-10011 - 2 x 12 LED - 2 x 20 W - 119° - 144°x50° (2 sides) - 3000K - On/Off - White	4624 lm
VK-10011-EW-T2-W40-ND-02	VEKTER 4 - VK-10011 - 2 x 12 LED - 2 x 20 W - 119° - 144°x50° (2 sides) - 4000K - On/Off - Dark Grey	4946 lm
VK-10011-EW-T2-W30-ND-02	VEKTER 4 - VK-10011 - 2 x 12 LED - 2 x 20 W - 119° - 144°x50° (2 sides) - 3000K - On/Off - Dark Grey	4624 lm
VK-10011-EW-T2-W40-ND-05	VEKTER 4 - VK-10011 - 2 x 12 LED - 2 x 20 W - 119° - 144°x50° (2 sides) - 4000K - On/Off - Matt Silver	4946 lm
VK-10011-EW-T2-W30-ND-05	VEKTER 4 - VK-10011 - 2 x 12 LED - 2 x 20 W - 119° - 144°x50° (2 sides) - 3000K - On/Off - Matt Silver	4624 lm
VK-10011-M-T4-W40-ND-05	VEKTER 4 - VK-10011 - 2 x 12 LED - 2 x 20 W - 31° - 97°x77° (2 sides) - 4000K - On/Off - Matt Silver	4892 lm
VK-10011-M-T4-W30-ND-05	VEKTER 4 - VK-10011 - 2 x 12 LED - 2 x 20 W - 31° - 97°x77° (2 sides) - 3000K - On/Off - Matt Silver	4572 lm
VK-10011-M-T4-W40-DA-05	VEKTER 4 - VK-10011 - 2 x 12 LED - 2 x 20 W - 31° - 97°x77° (2 sides) - 4000K - DALI - Matt Silver	4892 lm
VK-10011-M-T4-W30-DA-05	VEKTER 4 - VK-10011 - 2 x 12 LED - 2 x 20 W - 31° - 97°x77° (2 sides) - 3000K - DALI - Matt Silver	4572 lm
VK-10011-M-T4-W40-DA-06	VEKTER 4 - VK-10011 - 2 x 12 LED - 2 x 20 W - 31° - 97°x77° (2 sides) - 4000K - DALI - Bronze	4892 lm
VK-10011-M-T4-W30-DA-06	VEKTER 4 - VK-10011 - 2 x 12 LED - 2 x 20 W - 31° - 97°x77° (2 sides) - 3000K - DALI - Bronze	4572 lm
VK-10011-M-T4-W40-DA-02	VEKTER 4 - VK-10011 - 2 x 12 LED - 2 x 20 W - 31° - 97°x77° (2 sides) - 4000K - DALI - Dark Grey	4892 lm
VK-10011-M-T4-W30-DA-02	VEKTER 4 - VK-10011 - 2 x 12 LED - 2 x 20 W - 31° - 97°x77° (2 sides) - 3000K - DALI - Dark Grey	4572 lm
VK-10011-M-T4-W40-ND-01	VEKTER 4 - VK-10011 - 2 x 12 LED - 2 x 20 W - 31° - 97°x77° (2 sides) - 4000K - On/Off - Black	4892 lm
VK-10011-M-T4-W30-ND-01	VEKTER 4 - VK-10011 - 2 x 12 LED - 2 x 20 W - 31° - 97°x77° (2 sides) - 3000K - On/Off - Black	4572 lm
VK-10011-M-T4-W40-DI-03	VEKTER 4 - VK-10011 - 2 x 12 LED - 2 x 20 W - 31° - 97°x77° (2 sides) - 4000K - 1-10V - White	4892 lm
VK-10011-M-T4-W30-DI-03	VEKTER 4 - VK-10011 - 2 x 12 LED - 2 x 20 W - 31° - 97°x77° (2 sides) - 3000K - 1-10V - White	4572 lm
VK-10011-M-T4-W40-DI-01	VEKTER 4 - VK-10011 - 2 x 12 LED - 2 x 20 W - 31° - 97°x77° (2 sides) - 4000K - 1-10V - Black	4892 lm
VK-10011-M-T4-W30-DI-01	VEKTER 4 - VK-10011 - 2 x 12 LED - 2 x 20 W - 31° - 97°x77° (2 sides) - 3000K - 1-10V - Black	4572 lm
VK-10011-M-T4-W40-DA-03	VEKTER 4 - VK-10011 - 2 x 12 LED - 2 x 20 W - 31° - 97°x77° (2 sides) - 4000K - DALI - White	4892 lm
VK-10011-M-T4-W30-DA-03	VEKTER 4 - VK-10011 - 2 x 12 LED - 2 x 20 W - 31° - 97°x77° (2 sides) - 3000K - DALI - White	4572 lm
VK-10011-M-T4-W40-ND-03	VEKTER 4 - VK-10011 - 2 x 12 LED - 2 x 20 W - 31° - 97°x77° (2 sides) - 4000K - On/Off - White	4892 lm
VK-10011-M-T4-W30-ND-03	VEKTER 4 - VK-10011 - 2 x 12 LED - 2 x 20 W - 31° - 97°x77° (2 sides) - 3000K - On/Off - White	4572 lm
VK-10011-M-T4-W40-ND-06	VEKTER 4 - VK-10011 - 2 x 12 LED - 2 x 20 W - 31° - 97°x77° (2 sides) - 4000K - On/Off - Bronze	4892 lm
VK-10011-M-T4-W30-ND-06	VEKTER 4 - VK-10011 - 2 x 12 LED - 2 x 20 W - 31° - 97°x77° (2 sides) - 3000K - On/Off - Bronze	4572 lm
VK-10011-M-T4-W40-DI-02	VEKTER 4 - VK-10011 - 2 x 12 LED - 2 x 20 W - 31° - 97°x77° (2 sides) - 4000K - 1-10V - Dark Grey	4892 lm
VK-10011-M-T4-W30-DI-02	VEKTER 4 - VK-10011 - 2 x 12 LED - 2 x 20 W - 31° - 97°x77° (2 sides) - 3000K - 1-10V - Dark Grey	4572 lm
VK-10011-M-T4-W40-ND-02	VEKTER 4 - VK-10011 - 2 x 12 LED - 2 x 20 W - 31° - 97°x77° (2 sides) - 4000K - On/Off - Dark Grey	4892 lm
VK-10011-M-T4-W30-ND-02	VEKTER 4 - VK-10011 - 2 x 12 LED - 2 x 20 W - 31° - 97°x77° (2 sides) - 3000K - On/Off - Dark Grey	4572 lm
VK-10011-M-T4-W40-DI-05	VEKTER 4 - VK-10011 - 2 x 12 LED - 2 x 20 W - 31° - 97°x77° (2 sides) - 4000K - 1-10V - Matt Silver	4892 lm

**VEKTER 4 (VK-10011)**

VK-10011-M-T4-W30-DI-05	VEKTER 4 - VK-10011 - 2 x 12 LED - 2 x 20 W - 31° - 97°x77° (2 sides) - 3000K - 1-10V - Matt Silver	4572 lm
VK-10011-M-T4-W40-DA-01	VEKTER 4 - VK-10011 - 2 x 12 LED - 2 x 20 W - 31° - 97°x77° (2 sides) - 4000K - DALI - Black	4892 lm
VK-10011-M-T4-W30-DA-01	VEKTER 4 - VK-10011 - 2 x 12 LED - 2 x 20 W - 31° - 97°x77° (2 sides) - 3000K - DALI - Black	4572 lm
VK-10011-M-T4-W40-DI-06	VEKTER 4 - VK-10011 - 2 x 12 LED - 2 x 20 W - 31° - 97°x77° (2 sides) - 4000K - 1-10V - Bronze	4892 lm
VK-10011-M-T4-W30-DI-06	VEKTER 4 - VK-10011 - 2 x 12 LED - 2 x 20 W - 31° - 97°x77° (2 sides) - 3000K - 1-10V - Bronze	4572 lm
VK-10011-T2-M-W30-DA-03	VEKTER 4 - VK-10011 - 2 x 12 LED - 2 x 20 W - 144°x50° - 31° (2 sides) - 3000K - DALI - White	4318 lm
VK-10011-T2-M-W40-DA-03	VEKTER 4 - VK-10011 - 2 x 12 LED - 2 x 20 W - 144°x50° - 31° (2 sides) - 4000K - DALI - White	4620 lm
VK-10011-T2-M-W30-DI-02	VEKTER 4 - VK-10011 - 2 x 12 LED - 2 x 20 W - 144°x50° - 31° (2 sides) - 3000K - 1-10V - Dark Grey	4318 lm
VK-10011-T2-M-W40-DI-02	VEKTER 4 - VK-10011 - 2 x 12 LED - 2 x 20 W - 144°x50° - 31° (2 sides) - 4000K - 1-10V - Dark Grey	4620 lm
VK-10011-T2-M-W30-DI-05	VEKTER 4 - VK-10011 - 2 x 12 LED - 2 x 20 W - 144°x50° - 31° (2 sides) - 3000K - 1-10V - Matt Silver	4318 lm
VK-10011-T2-M-W40-DI-05	VEKTER 4 - VK-10011 - 2 x 12 LED - 2 x 20 W - 144°x50° - 31° (2 sides) - 4000K - 1-10V - Matt Silver	4620 lm
VK-10011-T2-M-W30-ND-05	VEKTER 4 - VK-10011 - 2 x 12 LED - 2 x 20 W - 144°x50° - 31° (2 sides) - 3000K - On/Off - Matt Silver	4318 lm
VK-10011-T2-M-W40-ND-05	VEKTER 4 - VK-10011 - 2 x 12 LED - 2 x 20 W - 144°x50° - 31° (2 sides) - 4000K - On/Off - Matt Silver	4620 lm
VK-10011-T2-M-W30-DI-06	VEKTER 4 - VK-10011 - 2 x 12 LED - 2 x 20 W - 144°x50° - 31° (2 sides) - 3000K - 1-10V - Bronze	4318 lm
VK-10011-T2-M-W40-DI-06	VEKTER 4 - VK-10011 - 2 x 12 LED - 2 x 20 W - 144°x50° - 31° (2 sides) - 4000K - 1-10V - Bronze	4620 lm
VK-10011-T2-M-W30-DI-01	VEKTER 4 - VK-10011 - 2 x 12 LED - 2 x 20 W - 144°x50° - 31° (2 sides) - 3000K - 1-10V - Black	4318 lm
VK-10011-T2-M-W40-DI-01	VEKTER 4 - VK-10011 - 2 x 12 LED - 2 x 20 W - 144°x50° - 31° (2 sides) - 4000K - 1-10V - Black	4620 lm
VK-10011-T2-M-W30-DI-03	VEKTER 4 - VK-10011 - 2 x 12 LED - 2 x 20 W - 144°x50° - 31° (2 sides) - 3000K - 1-10V - White	4318 lm
VK-10011-T2-M-W40-DI-03	VEKTER 4 - VK-10011 - 2 x 12 LED - 2 x 20 W - 144°x50° - 31° (2 sides) - 4000K - 1-10V - White	4620 lm
VK-10011-T2-M-W30-DA-05	VEKTER 4 - VK-10011 - 2 x 12 LED - 2 x 20 W - 144°x50° - 31° (2 sides) - 3000K - DALI - Matt Silver	4318 lm
VK-10011-T2-M-W40-DA-05	VEKTER 4 - VK-10011 - 2 x 12 LED - 2 x 20 W - 144°x50° - 31° (2 sides) - 4000K - DALI - Matt Silver	4620 lm
VK-10011-T2-M-W30-ND-02	VEKTER 4 - VK-10011 - 2 x 12 LED - 2 x 20 W - 144°x50° - 31° (2 sides) - 3000K - On/Off - Dark Grey	4318 lm
VK-10011-T2-M-W40-ND-02	VEKTER 4 - VK-10011 - 2 x 12 LED - 2 x 20 W - 144°x50° - 31° (2 sides) - 4000K - On/Off - Dark Grey	4620 lm
VK-10011-T2-M-W30-DA-01	VEKTER 4 - VK-10011 - 2 x 12 LED - 2 x 20 W - 144°x50° - 31° (2 sides) - 3000K - DALI - Black	4318 lm
VK-10011-T2-M-W40-DA-01	VEKTER 4 - VK-10011 - 2 x 12 LED - 2 x 20 W - 144°x50° - 31° (2 sides) - 4000K - DALI - Black	4620 lm
VK-10011-T2-M-W30-ND-01	VEKTER 4 - VK-10011 - 2 x 12 LED - 2 x 20 W - 144°x50° - 31° (2 sides) - 3000K - On/Off - Black	4318 lm
VK-10011-T2-M-W40-ND-01	VEKTER 4 - VK-10011 - 2 x 12 LED - 2 x 20 W - 144°x50° - 31° (2 sides) - 4000K - On/Off - Black	4620 lm
VK-10011-T2-M-W30-DA-02	VEKTER 4 - VK-10011 - 2 x 12 LED - 2 x 20 W - 144°x50° - 31° (2 sides) - 3000K - DALI - Dark Grey	4318 lm
VK-10011-T2-M-W40-DA-02	VEKTER 4 - VK-10011 - 2 x 12 LED - 2 x 20 W - 144°x50° - 31° (2 sides) - 4000K - DALI - Dark Grey	4620 lm
VK-10011-T2-M-W30-ND-03	VEKTER 4 - VK-10011 - 2 x 12 LED - 2 x 20 W - 144°x50° - 31° (2 sides) - 3000K - On/Off - White	4318 lm
VK-10011-T2-M-W40-ND-03	VEKTER 4 - VK-10011 - 2 x 12 LED - 2 x 20 W - 144°x50° - 31° (2 sides) - 4000K - On/Off - White	4620 lm
VK-10011-T2-M-W30-ND-06	VEKTER 4 - VK-10011 - 2 x 12 LED - 2 x 20 W - 144°x50° - 31° (2 sides) - 3000K - On/Off - Bronze	4318 lm
VK-10011-T2-M-W40-ND-06	VEKTER 4 - VK-10011 - 2 x 12 LED - 2 x 20 W - 144°x50° - 31° (2 sides) - 4000K - On/Off - Bronze	4620 lm
VK-10011-T2-M-W30-DA-06	VEKTER 4 - VK-10011 - 2 x 12 LED - 2 x 20 W - 144°x50° - 31° (2 sides) - 3000K - DALI - Bronze	4318 lm
VK-10011-T2-M-W40-DA-06	VEKTER 4 - VK-10011 - 2 x 12 LED - 2 x 20 W - 144°x50° - 31° (2 sides) - 4000K - DALI - Bronze	4620 lm
VK-10011-T3-EW-W40-DI-03	VEKTER 4 - VK-10011 - 2 x 12 LED - 2 x 20 W - 139°x68° - 119° (2 sides) - 4000K - 1-10V - White	4596 lm
VK-10011-T3-EW-W30-DI-03	VEKTER 4 - VK-10011 - 2 x 12 LED - 2 x 20 W - 139°x68° - 119° (2 sides) - 3000K - 1-10V - White	4296 lm
VK-10011-T3-EW-W40-ND-06	VEKTER 4 - VK-10011 - 2 x 12 LED - 2 x 20 W - 139°x68° - 119° (2 sides) - 4000K - On/Off - Bronze	4596 lm
VK-10011-T3-EW-W30-ND-06	VEKTER 4 - VK-10011 - 2 x 12 LED - 2 x 20 W - 139°x68° - 119° (2 sides) - 3000K - On/Off - Bronze	4296 lm
VK-10011-T3-EW-W40-ND-02	VEKTER 4 - VK-10011 - 2 x 12 LED - 2 x 20 W - 139°x68° - 119° (2 sides) - 4000K - On/Off - Dark Grey	4596 lm
VK-10011-T3-EW-W30-ND-02	VEKTER 4 - VK-10011 - 2 x 12 LED - 2 x 20 W - 139°x68° - 119° (2 sides) - 3000K - On/Off - Dark Grey	4296 lm
VK-10011-T3-EW-W40-ND-05	VEKTER 4 - VK-10011 - 2 x 12 LED - 2 x 20 W - 139°x68° - 119° (2 sides) - 4000K - On/Off - Matt Silver	4596 lm
VK-10011-T3-EW-W30-ND-05	VEKTER 4 - VK-10011 - 2 x 12 LED - 2 x 20 W - 139°x68° - 119° (2 sides) - 3000K - On/Off - Matt Silver	4296 lm
VK-10011-T3-EW-W40-DA-01	VEKTER 4 - VK-10011 - 2 x 12 LED - 2 x 20 W - 139°x68° - 119° (2 sides) - 4000K - DALI - Black	4596 lm
VK-10011-T3-EW-W30-DA-01	VEKTER 4 - VK-10011 - 2 x 12 LED - 2 x 20 W - 139°x68° - 119° (2 sides) - 3000K - DALI - Black	4296 lm
VK-10011-T3-EW-W40-DA-03	VEKTER 4 - VK-10011 - 2 x 12 LED - 2 x 20 W - 139°x68° - 119° (2 sides) - 4000K - DALI - White	4596 lm
VK-10011-T3-EW-W30-DA-03	VEKTER 4 - VK-10011 - 2 x 12 LED - 2 x 20 W - 139°x68° - 119° (2 sides) - 3000K - DALI - White	4296 lm
VK-10011-T3-EW-W40-DA-02	VEKTER 4 - VK-10011 - 2 x 12 LED - 2 x 20 W - 139°x68° - 119° (2 sides) - 4000K - DALI - Dark Grey	4596 lm
VK-10011-T3-EW-W30-DA-02	VEKTER 4 - VK-10011 - 2 x 12 LED - 2 x 20 W - 139°x68° - 119° (2 sides) - 3000K - DALI - Dark Grey	4296 lm
VK-10011-T3-EW-W40-DI-06	VEKTER 4 - VK-10011 - 2 x 12 LED - 2 x 20 W - 139°x68° - 119° (2 sides) - 4000K - 1-10V - Bronze	4596 lm
VK-10011-T3-EW-W30-DI-06	VEKTER 4 - VK-10011 - 2 x 12 LED - 2 x 20 W - 139°x68° - 119° (2 sides) - 3000K - 1-10V - Bronze	4296 lm
VK-10011-T3-EW-W40-DI-01	VEKTER 4 - VK-10011 - 2 x 12 LED - 2 x 20 W - 139°x68° - 119° (2 sides) - 4000K - 1-10V - Black	4596 lm
VK-10011-T3-EW-W30-DI-01	VEKTER 4 - VK-10011 - 2 x 12 LED - 2 x 20 W - 139°x68° - 119° (2 sides) - 3000K - 1-10V - Black	4296 lm
VK-10011-T3-EW-W40-ND-03	VEKTER 4 - VK-10011 - 2 x 12 LED - 2 x 20 W - 139°x68° - 119° (2 sides) - 4000K - On/Off - White	4596 lm
VK-10011-T3-EW-W30-ND-03	VEKTER 4 - VK-10011 - 2 x 12 LED - 2 x 20 W - 139°x68° - 119° (2 sides) - 3000K - On/Off - White	4296 lm
VK-10011-T3-EW-W40-DA-05	VEKTER 4 - VK-10011 - 2 x 12 LED - 2 x 20 W - 139°x68° - 119° (2 sides) - 4000K - DALI - Matt Silver	4596 lm
VK-10011-T3-EW-W30-DA-05	VEKTER 4 - VK-10011 - 2 x 12 LED - 2 x 20 W - 139°x68° - 119° (2 sides) - 3000K - DALI - Matt Silver	4296 lm
VK-10011-T3-EW-W40-DA-06	VEKTER 4 - VK-10011 - 2 x 12 LED - 2 x 20 W - 139°x68° - 119° (2 sides) - 4000K - DALI - Bronze	4596 lm
VK-10011-T3-EW-W30-DA-06	VEKTER 4 - VK-10011 - 2 x 12 LED - 2 x 20 W - 139°x68° - 119° (2 sides) - 3000K - DALI - Bronze	4296 lm

Мы оставляем за собой право вносить технические и конструктивные изменения.

10:32, 17-01-2020

<https://www.ligman.com/ru/vekker-4-vk-10011/>

Европа  
LIGMAN EUROPE s.r.o.  
VGP Park Ústí nad Labem  
P 2 120  
40317, Přestanov  
Czech Republic  
+420 477 071 500  
[sales.cz@ligman.com](mailto:sales.cz@ligman.com)

Страны азиатско-тихоокеанского региона  
LIGMAN Lighting Co.,Ltd.  
17/2 Moo4 Monthong  
Bangnampreaw  
24150, Chachoengsao  
Thailand  
+66 2 108 6700  
[info@ligman.com](mailto:info@ligman.com)



**VEKTER 4 (VK-10011)**

VK-10011-T3-EW-W40-DI-05	VEKTER 4 - VK-10011 - 2 x 12 LED - 2 x 20 W - 139°x68° - 119° (2 sides) - 4000K - 1-10V - Matt Silver	4596 lm
VK-10011-T3-EW-W30-DI-05	VEKTER 4 - VK-10011 - 2 x 12 LED - 2 x 20 W - 139°x68° - 119° (2 sides) - 3000K - 1-10V - Matt Silver	4296 lm
VK-10011-T3-EW-W40-DI-02	VEKTER 4 - VK-10011 - 2 x 12 LED - 2 x 20 W - 139°x68° - 119° (2 sides) - 4000K - 1-10V - Dark Grey	4596 lm
VK-10011-T3-EW-W30-DI-02	VEKTER 4 - VK-10011 - 2 x 12 LED - 2 x 20 W - 139°x68° - 119° (2 sides) - 3000K - 1-10V - Dark Grey	4296 lm
VK-10011-T3-EW-W40-ND-01	VEKTER 4 - VK-10011 - 2 x 12 LED - 2 x 20 W - 139°x68° - 119° (2 sides) - 4000K - On/Off - Black	4596 lm
VK-10011-T3-EW-W30-ND-01	VEKTER 4 - VK-10011 - 2 x 12 LED - 2 x 20 W - 139°x68° - 119° (2 sides) - 3000K - On/Off - Black	4296 lm
VK-10011-T4-M-W30-ND-05	VEKTER 4 - VK-10011 - 2 x 12 LED - 2 x 20 W - 97°x77° - 31° (2 sides) - 3000K - On/Off - Matt Silver	4306 lm
VK-10011-T4-M-W40-ND-05	VEKTER 4 - VK-10011 - 2 x 12 LED - 2 x 20 W - 97°x77° - 31° (2 sides) - 4000K - On/Off - Matt Silver	4606 lm
VK-10011-T4-M-W30-DA-03	VEKTER 4 - VK-10011 - 2 x 12 LED - 2 x 20 W - 97°x77° - 31° (2 sides) - 3000K - DALI - White	4306 lm
VK-10011-T4-M-W40-DA-03	VEKTER 4 - VK-10011 - 2 x 12 LED - 2 x 20 W - 97°x77° - 31° (2 sides) - 4000K - DALI - White	4606 lm
VK-10011-T4-M-W30-DI-03	VEKTER 4 - VK-10011 - 2 x 12 LED - 2 x 20 W - 97°x77° - 31° (2 sides) - 3000K - 1-10V - White	4306 lm
VK-10011-T4-M-W40-DI-03	VEKTER 4 - VK-10011 - 2 x 12 LED - 2 x 20 W - 97°x77° - 31° (2 sides) - 4000K - 1-10V - White	4606 lm
VK-10011-T4-M-W30-DA-02	VEKTER 4 - VK-10011 - 2 x 12 LED - 2 x 20 W - 97°x77° - 31° (2 sides) - 3000K - DALI - Dark Grey	4306 lm
VK-10011-T4-M-W40-DA-02	VEKTER 4 - VK-10011 - 2 x 12 LED - 2 x 20 W - 97°x77° - 31° (2 sides) - 4000K - DALI - Dark Grey	4606 lm
VK-10011-T4-M-W30-ND-02	VEKTER 4 - VK-10011 - 2 x 12 LED - 2 x 20 W - 97°x77° - 31° (2 sides) - 3000K - On/Off - Dark Grey	4306 lm
VK-10011-T4-M-W40-ND-02	VEKTER 4 - VK-10011 - 2 x 12 LED - 2 x 20 W - 97°x77° - 31° (2 sides) - 4000K - On/Off - Dark Grey	4606 lm
VK-10011-T4-M-W30-ND-06	VEKTER 4 - VK-10011 - 2 x 12 LED - 2 x 20 W - 97°x77° - 31° (2 sides) - 3000K - On/Off - Bronze	4306 lm
VK-10011-T4-M-W40-ND-06	VEKTER 4 - VK-10011 - 2 x 12 LED - 2 x 20 W - 97°x77° - 31° (2 sides) - 4000K - On/Off - Bronze	4606 lm
VK-10011-T4-M-W30-DA-06	VEKTER 4 - VK-10011 - 2 x 12 LED - 2 x 20 W - 97°x77° - 31° (2 sides) - 3000K - DALI - Bronze	4306 lm
VK-10011-T4-M-W40-DA-06	VEKTER 4 - VK-10011 - 2 x 12 LED - 2 x 20 W - 97°x77° - 31° (2 sides) - 4000K - DALI - Bronze	4606 lm
VK-10011-T4-M-W30-DI-02	VEKTER 4 - VK-10011 - 2 x 12 LED - 2 x 20 W - 97°x77° - 31° (2 sides) - 3000K - 1-10V - Dark Grey	4306 lm
VK-10011-T4-M-W40-DI-02	VEKTER 4 - VK-10011 - 2 x 12 LED - 2 x 20 W - 97°x77° - 31° (2 sides) - 4000K - 1-10V - Dark Grey	4606 lm
VK-10011-T4-M-W30-ND-03	VEKTER 4 - VK-10011 - 2 x 12 LED - 2 x 20 W - 97°x77° - 31° (2 sides) - 3000K - On/Off - White	4306 lm
VK-10011-T4-M-W40-ND-03	VEKTER 4 - VK-10011 - 2 x 12 LED - 2 x 20 W - 97°x77° - 31° (2 sides) - 4000K - On/Off - White	4606 lm
VK-10011-T4-M-W30-DA-01	VEKTER 4 - VK-10011 - 2 x 12 LED - 2 x 20 W - 97°x77° - 31° (2 sides) - 3000K - DALI - Black	4306 lm
VK-10011-T4-M-W40-DA-01	VEKTER 4 - VK-10011 - 2 x 12 LED - 2 x 20 W - 97°x77° - 31° (2 sides) - 4000K - DALI - Black	4606 lm
VK-10011-T4-M-W30-DI-01	VEKTER 4 - VK-10011 - 2 x 12 LED - 2 x 20 W - 97°x77° - 31° (2 sides) - 3000K - 1-10V - Black	4306 lm
VK-10011-T4-M-W40-DI-01	VEKTER 4 - VK-10011 - 2 x 12 LED - 2 x 20 W - 97°x77° - 31° (2 sides) - 4000K - 1-10V - Black	4606 lm
VK-10011-T4-M-W30-DI-05	VEKTER 4 - VK-10011 - 2 x 12 LED - 2 x 20 W - 97°x77° - 31° (2 sides) - 3000K - 1-10V - Matt Silver	4306 lm
VK-10011-T4-M-W40-DI-05	VEKTER 4 - VK-10011 - 2 x 12 LED - 2 x 20 W - 97°x77° - 31° (2 sides) - 4000K - 1-10V - Matt Silver	4606 lm
VK-10011-T4-M-W30-DA-05	VEKTER 4 - VK-10011 - 2 x 12 LED - 2 x 20 W - 97°x77° - 31° (2 sides) - 3000K - DALI - Matt Silver	4306 lm
VK-10011-T4-M-W40-DA-05	VEKTER 4 - VK-10011 - 2 x 12 LED - 2 x 20 W - 97°x77° - 31° (2 sides) - 4000K - DALI - Matt Silver	4606 lm
VK-10011-T4-M-W30-ND-01	VEKTER 4 - VK-10011 - 2 x 12 LED - 2 x 20 W - 97°x77° - 31° (2 sides) - 3000K - On/Off - Black	4306 lm
VK-10011-T4-M-W40-ND-01	VEKTER 4 - VK-10011 - 2 x 12 LED - 2 x 20 W - 97°x77° - 31° (2 sides) - 4000K - On/Off - Black	4606 lm
VK-10011-T4-M-W30-DI-06	VEKTER 4 - VK-10011 - 2 x 12 LED - 2 x 20 W - 97°x77° - 31° (2 sides) - 3000K - 1-10V - Bronze	4306 lm
VK-10011-T4-M-W40-DI-06	VEKTER 4 - VK-10011 - 2 x 12 LED - 2 x 20 W - 97°x77° - 31° (2 sides) - 4000K - 1-10V - Bronze	4606 lm
VK-10011-W-EW-W40-ND-02	VEKTER 4 - VK-10011 - 2 x 12 LED - 2 x 20 W - 53° - 119° (2 sides) - 4000K - On/Off - Dark Grey	4920 lm
VK-10011-W-EW-W30-ND-02	VEKTER 4 - VK-10011 - 2 x 12 LED - 2 x 20 W - 53° - 119° (2 sides) - 3000K - On/Off - Dark Grey	4598 lm
VK-10011-W-EW-W40-DI-01	VEKTER 4 - VK-10011 - 2 x 12 LED - 2 x 20 W - 53° - 119° (2 sides) - 4000K - 1-10V - Black	4920 lm
VK-10011-W-EW-W30-DI-01	VEKTER 4 - VK-10011 - 2 x 12 LED - 2 x 20 W - 53° - 119° (2 sides) - 3000K - 1-10V - Black	4598 lm
VK-10011-W-EW-W40-DI-03	VEKTER 4 - VK-10011 - 2 x 12 LED - 2 x 20 W - 53° - 119° (2 sides) - 4000K - 1-10V - White	4920 lm
VK-10011-W-EW-W30-DI-03	VEKTER 4 - VK-10011 - 2 x 12 LED - 2 x 20 W - 53° - 119° (2 sides) - 3000K - 1-10V - White	4598 lm
VK-10011-W-EW-W40-ND-06	VEKTER 4 - VK-10011 - 2 x 12 LED - 2 x 20 W - 53° - 119° (2 sides) - 4000K - On/Off - Bronze	4920 lm
VK-10011-W-EW-W30-ND-06	VEKTER 4 - VK-10011 - 2 x 12 LED - 2 x 20 W - 53° - 119° (2 sides) - 3000K - On/Off - Bronze	4598 lm
VK-10011-W-EW-W40-DI-06	VEKTER 4 - VK-10011 - 2 x 12 LED - 2 x 20 W - 53° - 119° (2 sides) - 4000K - 1-10V - Bronze	4920 lm
VK-10011-W-EW-W30-DI-06	VEKTER 4 - VK-10011 - 2 x 12 LED - 2 x 20 W - 53° - 119° (2 sides) - 3000K - 1-10V - Bronze	4598 lm
VK-10011-W-EW-W40-ND-03	VEKTER 4 - VK-10011 - 2 x 12 LED - 2 x 20 W - 53° - 119° (2 sides) - 4000K - On/Off - White	4920 lm
VK-10011-W-EW-W30-ND-03	VEKTER 4 - VK-10011 - 2 x 12 LED - 2 x 20 W - 53° - 119° (2 sides) - 3000K - On/Off - White	4598 lm
VK-10011-W-EW-W40-DI-05	VEKTER 4 - VK-10011 - 2 x 12 LED - 2 x 20 W - 53° - 119° (2 sides) - 4000K - 1-10V - Matt Silver	4920 lm
VK-10011-W-EW-W30-DI-05	VEKTER 4 - VK-10011 - 2 x 12 LED - 2 x 20 W - 53° - 119° (2 sides) - 3000K - 1-10V - Matt Silver	4598 lm
VK-10011-W-EW-W40-DI-02	VEKTER 4 - VK-10011 - 2 x 12 LED - 2 x 20 W - 53° - 119° (2 sides) - 4000K - 1-10V - Dark Grey	4920 lm
VK-10011-W-EW-W30-DI-02	VEKTER 4 - VK-10011 - 2 x 12 LED - 2 x 20 W - 53° - 119° (2 sides) - 3000K - 1-10V - Dark Grey	4598 lm
VK-10011-W-EW-W40-ND-05	VEKTER 4 - VK-10011 - 2 x 12 LED - 2 x 20 W - 53° - 119° (2 sides) - 4000K - On/Off - Matt Silver	4920 lm
VK-10011-W-EW-W30-ND-05	VEKTER 4 - VK-10011 - 2 x 12 LED - 2 x 20 W - 53° - 119° (2 sides) - 3000K - On/Off - Matt Silver	4598 lm
VK-10011-W-EW-W40-DA-06	VEKTER 4 - VK-10011 - 2 x 12 LED - 2 x 20 W - 53° - 119° (2 sides) - 4000K - DALI - Bronze	4920 lm
VK-10011-W-EW-W30-DA-06	VEKTER 4 - VK-10011 - 2 x 12 LED - 2 x 20 W - 53° - 119° (2 sides) - 3000K - DALI - Bronze	4598 lm
VK-10011-W-EW-W40-ND-01	VEKTER 4 - VK-10011 - 2 x 12 LED - 2 x 20 W - 53° - 119° (2 sides) - 4000K - On/Off - Black	4920 lm
VK-10011-W-EW-W30-ND-01	VEKTER 4 - VK-10011 - 2 x 12 LED - 2 x 20 W - 53° - 119° (2 sides) - 3000K - On/Off - Black	4598 lm
VK-10011-W-EW-W40-DA-02	VEKTER 4 - VK-10011 - 2 x 12 LED - 2 x 20 W - 53° - 119° (2 sides) - 4000K - DALI - Dark Grey	4920 lm

**VEKTER 4 (VK-10011)**

VK-10011-W-EW-W30-DA-02	VEKTER 4 - VK-10011 - 2 x 12 LED - 2 x 20 W - 53° - 119° (2 sides) - 3000K - DALI - Dark Grey	4598 lm
VK-10011-W-EW-W40-DA-05	VEKTER 4 - VK-10011 - 2 x 12 LED - 2 x 20 W - 53° - 119° (2 sides) - 4000K - DALI - Matt Silver	4920 lm
VK-10011-W-EW-W30-DA-05	VEKTER 4 - VK-10011 - 2 x 12 LED - 2 x 20 W - 53° - 119° (2 sides) - 3000K - DALI - Matt Silver	4598 lm
VK-10011-W-EW-W40-DA-03	VEKTER 4 - VK-10011 - 2 x 12 LED - 2 x 20 W - 53° - 119° (2 sides) - 4000K - DALI - White	4920 lm
VK-10011-W-EW-W30-DA-03	VEKTER 4 - VK-10011 - 2 x 12 LED - 2 x 20 W - 53° - 119° (2 sides) - 3000K - DALI - White	4598 lm
VK-10011-W-EW-W40-DA-01	VEKTER 4 - VK-10011 - 2 x 12 LED - 2 x 20 W - 53° - 119° (2 sides) - 4000K - DALI - Black	4920 lm
VK-10011-W-EW-W30-DA-01	VEKTER 4 - VK-10011 - 2 x 12 LED - 2 x 20 W - 53° - 119° (2 sides) - 3000K - DALI - Black	4598 lm
VK-10011-EW-M-W40-DI-02	VEKTER 4 - VK-10011 - 2 x 12 LED - 2 x 20 W - 119° - 31° (2 sides) - 4000K - 1-10V - Dark Grey	4946 lm
VK-10011-EW-M-W30-DI-02	VEKTER 4 - VK-10011 - 2 x 12 LED - 2 x 20 W - 119° - 31° (2 sides) - 3000K - 1-10V - Dark Grey	4624 lm
VK-10011-EW-M-W40-ND-01	VEKTER 4 - VK-10011 - 2 x 12 LED - 2 x 20 W - 119° - 31° (2 sides) - 4000K - On/Off - Black	4946 lm
VK-10011-EW-M-W30-ND-01	VEKTER 4 - VK-10011 - 2 x 12 LED - 2 x 20 W - 119° - 31° (2 sides) - 3000K - On/Off - Black	4624 lm
VK-10011-EW-M-W40-DI-06	VEKTER 4 - VK-10011 - 2 x 12 LED - 2 x 20 W - 119° - 31° (2 sides) - 4000K - 1-10V - Bronze	4946 lm
VK-10011-EW-M-W30-DI-06	VEKTER 4 - VK-10011 - 2 x 12 LED - 2 x 20 W - 119° - 31° (2 sides) - 3000K - 1-10V - Bronze	4624 lm
VK-10011-EW-M-W40-ND-03	VEKTER 4 - VK-10011 - 2 x 12 LED - 2 x 20 W - 119° - 31° (2 sides) - 4000K - On/Off - White	4946 lm
VK-10011-EW-M-W30-ND-03	VEKTER 4 - VK-10011 - 2 x 12 LED - 2 x 20 W - 119° - 31° (2 sides) - 3000K - On/Off - White	4624 lm
VK-10011-EW-M-W40-DA-06	VEKTER 4 - VK-10011 - 2 x 12 LED - 2 x 20 W - 119° - 31° (2 sides) - 4000K - DALI - Bronze	4946 lm
VK-10011-EW-M-W30-DA-06	VEKTER 4 - VK-10011 - 2 x 12 LED - 2 x 20 W - 119° - 31° (2 sides) - 3000K - DALI - Bronze	4624 lm
VK-10011-EW-M-W40-DA-03	VEKTER 4 - VK-10011 - 2 x 12 LED - 2 x 20 W - 119° - 31° (2 sides) - 4000K - DALI - White	4946 lm
VK-10011-EW-M-W30-DA-03	VEKTER 4 - VK-10011 - 2 x 12 LED - 2 x 20 W - 119° - 31° (2 sides) - 3000K - DALI - White	4624 lm
VK-10011-EW-M-W40-ND-06	VEKTER 4 - VK-10011 - 2 x 12 LED - 2 x 20 W - 119° - 31° (2 sides) - 4000K - On/Off - Bronze	4946 lm
VK-10011-EW-M-W30-ND-06	VEKTER 4 - VK-10011 - 2 x 12 LED - 2 x 20 W - 119° - 31° (2 sides) - 3000K - On/Off - Bronze	4624 lm
VK-10011-EW-M-W40-DA-01	VEKTER 4 - VK-10011 - 2 x 12 LED - 2 x 20 W - 119° - 31° (2 sides) - 4000K - DALI - Black	4946 lm
VK-10011-EW-M-W30-DA-01	VEKTER 4 - VK-10011 - 2 x 12 LED - 2 x 20 W - 119° - 31° (2 sides) - 3000K - DALI - Black	4624 lm
VK-10011-EW-M-W40-DI-01	VEKTER 4 - VK-10011 - 2 x 12 LED - 2 x 20 W - 119° - 31° (2 sides) - 4000K - 1-10V - Black	4946 lm
VK-10011-EW-M-W30-DI-01	VEKTER 4 - VK-10011 - 2 x 12 LED - 2 x 20 W - 119° - 31° (2 sides) - 3000K - 1-10V - Black	4624 lm
VK-10011-EW-M-W40-DI-03	VEKTER 4 - VK-10011 - 2 x 12 LED - 2 x 20 W - 119° - 31° (2 sides) - 4000K - 1-10V - White	4946 lm
VK-10011-EW-M-W30-DI-03	VEKTER 4 - VK-10011 - 2 x 12 LED - 2 x 20 W - 119° - 31° (2 sides) - 3000K - 1-10V - White	4624 lm
VK-10011-EW-M-W40-ND-05	VEKTER 4 - VK-10011 - 2 x 12 LED - 2 x 20 W - 119° - 31° (2 sides) - 4000K - On/Off - Matt Silver	4946 lm
VK-10011-EW-M-W30-ND-05	VEKTER 4 - VK-10011 - 2 x 12 LED - 2 x 20 W - 119° - 31° (2 sides) - 3000K - On/Off - Matt Silver	4624 lm
VK-10011-EW-M-W40-DA-05	VEKTER 4 - VK-10011 - 2 x 12 LED - 2 x 20 W - 119° - 31° (2 sides) - 4000K - DALI - Matt Silver	4946 lm
VK-10011-EW-M-W30-DA-05	VEKTER 4 - VK-10011 - 2 x 12 LED - 2 x 20 W - 119° - 31° (2 sides) - 3000K - DALI - Matt Silver	4624 lm
VK-10011-EW-M-W40-ND-02	VEKTER 4 - VK-10011 - 2 x 12 LED - 2 x 20 W - 119° - 31° (2 sides) - 4000K - On/Off - Dark Grey	4946 lm
VK-10011-EW-M-W30-ND-02	VEKTER 4 - VK-10011 - 2 x 12 LED - 2 x 20 W - 119° - 31° (2 sides) - 3000K - On/Off - Dark Grey	4624 lm
VK-10011-EW-M-W40-DA-02	VEKTER 4 - VK-10011 - 2 x 12 LED - 2 x 20 W - 119° - 31° (2 sides) - 4000K - DALI - Dark Grey	4946 lm
VK-10011-EW-M-W30-DA-02	VEKTER 4 - VK-10011 - 2 x 12 LED - 2 x 20 W - 119° - 31° (2 sides) - 3000K - DALI - Dark Grey	4624 lm
VK-10011-EW-M-W40-DI-05	VEKTER 4 - VK-10011 - 2 x 12 LED - 2 x 20 W - 119° - 31° (2 sides) - 4000K - 1-10V - Matt Silver	4946 lm
VK-10011-EW-M-W30-DI-05	VEKTER 4 - VK-10011 - 2 x 12 LED - 2 x 20 W - 119° - 31° (2 sides) - 3000K - 1-10V - Matt Silver	4624 lm
VK-10011-M-M-W30-DA-02	VEKTER 4 - VK-10011 - 2 x 12 LED - 2 x 20 W - 31° - 31° (2 sides) - 3000K - DALI - Dark Grey	4572 lm
VK-10011-M-M-W40-DA-02	VEKTER 4 - VK-10011 - 2 x 12 LED - 2 x 20 W - 31° - 31° (2 sides) - 4000K - DALI - Dark Grey	4892 lm
VK-10011-M-M-W30-DI-05	VEKTER 4 - VK-10011 - 2 x 12 LED - 2 x 20 W - 31° - 31° (2 sides) - 3000K - 1-10V - Matt Silver	4572 lm
VK-10011-M-M-W40-DI-05	VEKTER 4 - VK-10011 - 2 x 12 LED - 2 x 20 W - 31° - 31° (2 sides) - 4000K - 1-10V - Matt Silver	4892 lm
VK-10011-M-M-W30-ND-02	VEKTER 4 - VK-10011 - 2 x 12 LED - 2 x 20 W - 31° - 31° (2 sides) - 3000K - On/Off - Dark Grey	4572 lm
VK-10011-M-M-W40-ND-02	VEKTER 4 - VK-10011 - 2 x 12 LED - 2 x 20 W - 31° - 31° (2 sides) - 4000K - On/Off - Dark Grey	4892 lm
VK-10011-M-M-W30-ND-06	VEKTER 4 - VK-10011 - 2 x 12 LED - 2 x 20 W - 31° - 31° (2 sides) - 3000K - On/Off - Bronze	4572 lm
VK-10011-M-M-W40-ND-06	VEKTER 4 - VK-10011 - 2 x 12 LED - 2 x 20 W - 31° - 31° (2 sides) - 4000K - On/Off - Bronze	4892 lm
VK-10011-M-M-W30-ND-03	VEKTER 4 - VK-10011 - 2 x 12 LED - 2 x 20 W - 31° - 31° (2 sides) - 3000K - On/Off - White	4572 lm
VK-10011-M-M-W40-ND-03	VEKTER 4 - VK-10011 - 2 x 12 LED - 2 x 20 W - 31° - 31° (2 sides) - 4000K - On/Off - White	4892 lm
VK-10011-M-M-W30-DA-05	VEKTER 4 - VK-10011 - 2 x 12 LED - 2 x 20 W - 31° - 31° (2 sides) - 3000K - DALI - Matt Silver	4572 lm
VK-10011-M-M-W40-DA-05	VEKTER 4 - VK-10011 - 2 x 12 LED - 2 x 20 W - 31° - 31° (2 sides) - 4000K - DALI - Matt Silver	4892 lm
VK-10011-M-M-W30-DI-06	VEKTER 4 - VK-10011 - 2 x 12 LED - 2 x 20 W - 31° - 31° (2 sides) - 3000K - 1-10V - Bronze	4572 lm
VK-10011-M-M-W40-DI-06	VEKTER 4 - VK-10011 - 2 x 12 LED - 2 x 20 W - 31° - 31° (2 sides) - 4000K - 1-10V - Bronze	4892 lm
VK-10011-M-M-W30-DI-02	VEKTER 4 - VK-10011 - 2 x 12 LED - 2 x 20 W - 31° - 31° (2 sides) - 3000K - 1-10V - Dark Grey	4572 lm
VK-10011-M-M-W40-DI-02	VEKTER 4 - VK-10011 - 2 x 12 LED - 2 x 20 W - 31° - 31° (2 sides) - 4000K - 1-10V - Dark Grey	4892 lm
VK-10011-M-M-W30-ND-05	VEKTER 4 - VK-10011 - 2 x 12 LED - 2 x 20 W - 31° - 31° (2 sides) - 3000K - On/Off - Matt Silver	4572 lm
VK-10011-M-M-W40-ND-05	VEKTER 4 - VK-10011 - 2 x 12 LED - 2 x 20 W - 31° - 31° (2 sides) - 4000K - On/Off - Matt Silver	4892 lm
VK-10011-M-M-W30-ND-01	VEKTER 4 - VK-10011 - 2 x 12 LED - 2 x 20 W - 31° - 31° (2 sides) - 3000K - On/Off - Black	4572 lm
VK-10011-M-M-W40-ND-01	VEKTER 4 - VK-10011 - 2 x 12 LED - 2 x 20 W - 31° - 31° (2 sides) - 4000K - On/Off - Black	4892 lm
VK-10011-M-M-W30-DI-01	VEKTER 4 - VK-10011 - 2 x 12 LED - 2 x 20 W - 31° - 31° (2 sides) - 3000K - 1-10V - Black	4572 lm
VK-10011-M-M-W40-DI-01	VEKTER 4 - VK-10011 - 2 x 12 LED - 2 x 20 W - 31° - 31° (2 sides) - 4000K - 1-10V - Black	4892 lm

**VEKTER 4 (VK-10011)**

VK-10011-M-M-W30-DA-06	VEKTER 4 - VK-10011 - 2 x 12 LED - 2 x 20 W - 31° - 31° (2 sides) - 3000K - DALI - Bronze	4572 lm
VK-10011-M-M-W40-DA-06	VEKTER 4 - VK-10011 - 2 x 12 LED - 2 x 20 W - 31° - 31° (2 sides) - 4000K - DALI - Bronze	4892 lm
VK-10011-M-M-W30-DA-01	VEKTER 4 - VK-10011 - 2 x 12 LED - 2 x 20 W - 31° - 31° (2 sides) - 3000K - DALI - Black	4572 lm
VK-10011-M-M-W40-DA-01	VEKTER 4 - VK-10011 - 2 x 12 LED - 2 x 20 W - 31° - 31° (2 sides) - 4000K - DALI - Black	4892 lm
VK-10011-M-M-W30-DI-03	VEKTER 4 - VK-10011 - 2 x 12 LED - 2 x 20 W - 31° - 31° (2 sides) - 3000K - 1-10V - White	4572 lm
VK-10011-M-M-W40-DI-03	VEKTER 4 - VK-10011 - 2 x 12 LED - 2 x 20 W - 31° - 31° (2 sides) - 4000K - 1-10V - White	4892 lm
VK-10011-M-M-W30-DA-03	VEKTER 4 - VK-10011 - 2 x 12 LED - 2 x 20 W - 31° - 31° (2 sides) - 3000K - DALI - White	4572 lm
VK-10011-M-M-W40-DA-03	VEKTER 4 - VK-10011 - 2 x 12 LED - 2 x 20 W - 31° - 31° (2 sides) - 4000K - DALI - White	4892 lm
VK-10011-T2-EW-W30-DI-01	VEKTER 4 - VK-10011 - 2 x 12 LED - 2 x 20 W - 144°x50° - 119° (2 sides) - 3000K - 1-10V - Black	4318 lm
VK-10011-T2-EW-W40-DI-01	VEKTER 4 - VK-10011 - 2 x 12 LED - 2 x 20 W - 144°x50° - 119° (2 sides) - 4000K - 1-10V - Black	4620 lm
VK-10011-T2-EW-W30-DI-05	VEKTER 4 - VK-10011 - 2 x 12 LED - 2 x 20 W - 144°x50° - 119° (2 sides) - 3000K - 1-10V - Matt Silver	4318 lm
VK-10011-T2-EW-W40-DI-05	VEKTER 4 - VK-10011 - 2 x 12 LED - 2 x 20 W - 144°x50° - 119° (2 sides) - 4000K - 1-10V - Matt Silver	4620 lm
VK-10011-T2-EW-W30-ND-02	VEKTER 4 - VK-10011 - 2 x 12 LED - 2 x 20 W - 144°x50° - 119° (2 sides) - 3000K - On/Off - Dark Grey	4318 lm
VK-10011-T2-EW-W40-ND-02	VEKTER 4 - VK-10011 - 2 x 12 LED - 2 x 20 W - 144°x50° - 119° (2 sides) - 4000K - On/Off - Dark Grey	4620 lm
VK-10011-T2-EW-W30-DA-05	VEKTER 4 - VK-10011 - 2 x 12 LED - 2 x 20 W - 144°x50° - 119° (2 sides) - 3000K - DALI - Matt Silver	4318 lm
VK-10011-T2-EW-W40-DA-05	VEKTER 4 - VK-10011 - 2 x 12 LED - 2 x 20 W - 144°x50° - 119° (2 sides) - 4000K - DALI - Matt Silver	4620 lm
VK-10011-T2-EW-W30-ND-06	VEKTER 4 - VK-10011 - 2 x 12 LED - 2 x 20 W - 144°x50° - 119° (2 sides) - 3000K - On/Off - Bronze	4318 lm
VK-10011-T2-EW-W40-ND-06	VEKTER 4 - VK-10011 - 2 x 12 LED - 2 x 20 W - 144°x50° - 119° (2 sides) - 4000K - On/Off - Bronze	4620 lm
VK-10011-T2-EW-W30-DI-02	VEKTER 4 - VK-10011 - 2 x 12 LED - 2 x 20 W - 144°x50° - 119° (2 sides) - 3000K - 1-10V - Dark Grey	4318 lm
VK-10011-T2-EW-W40-DI-02	VEKTER 4 - VK-10011 - 2 x 12 LED - 2 x 20 W - 144°x50° - 119° (2 sides) - 4000K - 1-10V - Dark Grey	4620 lm
VK-10011-T2-EW-W30-ND-01	VEKTER 4 - VK-10011 - 2 x 12 LED - 2 x 20 W - 144°x50° - 119° (2 sides) - 3000K - On/Off - Black	4318 lm
VK-10011-T2-EW-W40-ND-01	VEKTER 4 - VK-10011 - 2 x 12 LED - 2 x 20 W - 144°x50° - 119° (2 sides) - 4000K - On/Off - Black	4620 lm
VK-10011-T2-EW-W30-DA-06	VEKTER 4 - VK-10011 - 2 x 12 LED - 2 x 20 W - 144°x50° - 119° (2 sides) - 3000K - DALI - Bronze	4318 lm
VK-10011-T2-EW-W40-DA-06	VEKTER 4 - VK-10011 - 2 x 12 LED - 2 x 20 W - 144°x50° - 119° (2 sides) - 4000K - DALI - Bronze	4620 lm
VK-10011-T2-EW-W30-DA-01	VEKTER 4 - VK-10011 - 2 x 12 LED - 2 x 20 W - 144°x50° - 119° (2 sides) - 3000K - DALI - Black	4318 lm
VK-10011-T2-EW-W40-DA-01	VEKTER 4 - VK-10011 - 2 x 12 LED - 2 x 20 W - 144°x50° - 119° (2 sides) - 4000K - DALI - Black	4620 lm
VK-10011-T2-EW-W30-DA-02	VEKTER 4 - VK-10011 - 2 x 12 LED - 2 x 20 W - 144°x50° - 119° (2 sides) - 3000K - DALI - Dark Grey	4318 lm
VK-10011-T2-EW-W40-DA-02	VEKTER 4 - VK-10011 - 2 x 12 LED - 2 x 20 W - 144°x50° - 119° (2 sides) - 4000K - DALI - Dark Grey	4620 lm
VK-10011-T2-EW-W30-ND-03	VEKTER 4 - VK-10011 - 2 x 12 LED - 2 x 20 W - 144°x50° - 119° (2 sides) - 3000K - On/Off - White	4318 lm
VK-10011-T2-EW-W40-ND-03	VEKTER 4 - VK-10011 - 2 x 12 LED - 2 x 20 W - 144°x50° - 119° (2 sides) - 4000K - On/Off - White	4620 lm
VK-10011-T2-EW-W30-ND-05	VEKTER 4 - VK-10011 - 2 x 12 LED - 2 x 20 W - 144°x50° - 119° (2 sides) - 3000K - On/Off - Matt Silver	4318 lm
VK-10011-T2-EW-W40-ND-05	VEKTER 4 - VK-10011 - 2 x 12 LED - 2 x 20 W - 144°x50° - 119° (2 sides) - 4000K - On/Off - Matt Silver	4620 lm
VK-10011-T2-EW-W30-DA-03	VEKTER 4 - VK-10011 - 2 x 12 LED - 2 x 20 W - 144°x50° - 119° (2 sides) - 3000K - DALI - White	4318 lm
VK-10011-T2-EW-W40-DA-03	VEKTER 4 - VK-10011 - 2 x 12 LED - 2 x 20 W - 144°x50° - 119° (2 sides) - 4000K - DALI - White	4620 lm
VK-10011-T2-EW-W30-DI-03	VEKTER 4 - VK-10011 - 2 x 12 LED - 2 x 20 W - 144°x50° - 119° (2 sides) - 3000K - 1-10V - White	4318 lm
VK-10011-T2-EW-W40-DI-03	VEKTER 4 - VK-10011 - 2 x 12 LED - 2 x 20 W - 144°x50° - 119° (2 sides) - 4000K - 1-10V - White	4620 lm
VK-10011-T2-EW-W30-DI-06	VEKTER 4 - VK-10011 - 2 x 12 LED - 2 x 20 W - 144°x50° - 119° (2 sides) - 3000K - 1-10V - Bronze	4318 lm
VK-10011-T2-EW-W40-DI-06	VEKTER 4 - VK-10011 - 2 x 12 LED - 2 x 20 W - 144°x50° - 119° (2 sides) - 4000K - 1-10V - Bronze	4620 lm
VK-10011-T3-T2-W40-DI-05	VEKTER 4 - VK-10011 - 2 x 12 LED - 2 x 20 W - 139°x68° - 144°x50° (2 sides) - 4000K - 1-10V - Matt Silver	4596 lm
VK-10011-T3-T2-W30-DI-05	VEKTER 4 - VK-10011 - 2 x 12 LED - 2 x 20 W - 139°x68° - 144°x50° (2 sides) - 3000K - 1-10V - Matt Silver	4296 lm
VK-10011-T3-T2-W40-DA-02	VEKTER 4 - VK-10011 - 2 x 12 LED - 2 x 20 W - 139°x68° - 144°x50° (2 sides) - 4000K - DALI - Dark Grey	4596 lm
VK-10011-T3-T2-W30-DA-02	VEKTER 4 - VK-10011 - 2 x 12 LED - 2 x 20 W - 139°x68° - 144°x50° (2 sides) - 3000K - DALI - Dark Grey	4296 lm
VK-10011-T3-T2-W40-DA-01	VEKTER 4 - VK-10011 - 2 x 12 LED - 2 x 20 W - 139°x68° - 144°x50° (2 sides) - 4000K - DALI - Black	4596 lm
VK-10011-T3-T2-W30-DA-01	VEKTER 4 - VK-10011 - 2 x 12 LED - 2 x 20 W - 139°x68° - 144°x50° (2 sides) - 3000K - DALI - Black	4296 lm
VK-10011-T3-T2-W40-DA-05	VEKTER 4 - VK-10011 - 2 x 12 LED - 2 x 20 W - 139°x68° - 144°x50° (2 sides) - 4000K - DALI - Matt Silver	4596 lm
VK-10011-T3-T2-W30-DA-05	VEKTER 4 - VK-10011 - 2 x 12 LED - 2 x 20 W - 139°x68° - 144°x50° (2 sides) - 3000K - DALI - Matt Silver	4296 lm
VK-10011-T3-T2-W40-DA-03	VEKTER 4 - VK-10011 - 2 x 12 LED - 2 x 20 W - 139°x68° - 144°x50° (2 sides) - 4000K - DALI - White	4596 lm
VK-10011-T3-T2-W30-DA-03	VEKTER 4 - VK-10011 - 2 x 12 LED - 2 x 20 W - 139°x68° - 144°x50° (2 sides) - 3000K - DALI - White	4296 lm
VK-10011-T3-T2-W40-DA-06	VEKTER 4 - VK-10011 - 2 x 12 LED - 2 x 20 W - 139°x68° - 144°x50° (2 sides) - 4000K - DALI - Bronze	4596 lm
VK-10011-T3-T2-W30-DA-06	VEKTER 4 - VK-10011 - 2 x 12 LED - 2 x 20 W - 139°x68° - 144°x50° (2 sides) - 3000K - DALI - Bronze	4296 lm
VK-10011-T3-T2-W40-DI-01	VEKTER 4 - VK-10011 - 2 x 12 LED - 2 x 20 W - 139°x68° - 144°x50° (2 sides) - 4000K - 1-10V - Black	4596 lm
VK-10011-T3-T2-W30-DI-01	VEKTER 4 - VK-10011 - 2 x 12 LED - 2 x 20 W - 139°x68° - 144°x50° (2 sides) - 3000K - 1-10V - Black	4296 lm
VK-10011-T3-T2-W40-DI-06	VEKTER 4 - VK-10011 - 2 x 12 LED - 2 x 20 W - 139°x68° - 144°x50° (2 sides) - 4000K - 1-10V - Bronze	4596 lm
VK-10011-T3-T2-W30-DI-06	VEKTER 4 - VK-10011 - 2 x 12 LED - 2 x 20 W - 139°x68° - 144°x50° (2 sides) - 3000K - 1-10V - Bronze	4296 lm
VK-10011-T3-T2-W40-DI-02	VEKTER 4 - VK-10011 - 2 x 12 LED - 2 x 20 W - 139°x68° - 144°x50° (2 sides) - 4000K - 1-10V - Dark Grey	4596 lm
VK-10011-T3-T2-W30-DI-02	VEKTER 4 - VK-10011 - 2 x 12 LED - 2 x 20 W - 139°x68° - 144°x50° (2 sides) - 3000K - 1-10V - Dark Grey	4296 lm
VK-10011-T3-T2-W40-ND-03	VEKTER 4 - VK-10011 - 2 x 12 LED - 2 x 20 W - 139°x68° - 144°x50° (2 sides) - 4000K - On/Off - White	4596 lm

**VEKTER 4 (VK-10011)**

<b>VK-10011-T3-T2-W30-ND-03</b>	VEKTER 4 - VK-10011 - 2 x 12 LED - 2 x 20 W - 139°x68° - 144°x50° (2 sides) - 3000K - On/Off - White	4296 lm
<b>VK-10011-T3-T2-W40-ND-02</b>	VEKTER 4 - VK-10011 - 2 x 12 LED - 2 x 20 W - 139°x68° - 144°x50° (2 sides) - 4000K - On/Off - Dark Grey	4596 lm
<b>VK-10011-T3-T2-W30-ND-02</b>	VEKTER 4 - VK-10011 - 2 x 12 LED - 2 x 20 W - 139°x68° - 144°x50° (2 sides) - 3000K - On/Off - Dark Grey	4296 lm
<b>VK-10011-T3-T2-W40-ND-05</b>	VEKTER 4 - VK-10011 - 2 x 12 LED - 2 x 20 W - 139°x68° - 144°x50° (2 sides) - 4000K - On/Off - Matt Silver	4596 lm
<b>VK-10011-T3-T2-W30-ND-05</b>	VEKTER 4 - VK-10011 - 2 x 12 LED - 2 x 20 W - 139°x68° - 144°x50° (2 sides) - 3000K - On/Off - Matt Silver	4296 lm
<b>VK-10011-T3-T2-W40-ND-06</b>	VEKTER 4 - VK-10011 - 2 x 12 LED - 2 x 20 W - 139°x68° - 144°x50° (2 sides) - 4000K - On/Off - Bronze	4596 lm
<b>VK-10011-T3-T2-W30-ND-06</b>	VEKTER 4 - VK-10011 - 2 x 12 LED - 2 x 20 W - 139°x68° - 144°x50° (2 sides) - 3000K - On/Off - Bronze	4296 lm
<b>VK-10011-T3-T2-W40-DI-03</b>	VEKTER 4 - VK-10011 - 2 x 12 LED - 2 x 20 W - 139°x68° - 144°x50° (2 sides) - 4000K - 1-10V - White	4596 lm
<b>VK-10011-T3-T2-W30-DI-03</b>	VEKTER 4 - VK-10011 - 2 x 12 LED - 2 x 20 W - 139°x68° - 144°x50° (2 sides) - 3000K - 1-10V - White	4296 lm
<b>VK-10011-T3-T2-W40-ND-01</b>	VEKTER 4 - VK-10011 - 2 x 12 LED - 2 x 20 W - 139°x68° - 144°x50° (2 sides) - 4000K - On/Off - Black	4596 lm
<b>VK-10011-T3-T2-W30-ND-01</b>	VEKTER 4 - VK-10011 - 2 x 12 LED - 2 x 20 W - 139°x68° - 144°x50° (2 sides) - 3000K - On/Off - Black	4296 lm
<b>VK-10011-T4-T2-W40-DA-05</b>	VEKTER 4 - VK-10011 - 2 x 12 LED - 2 x 20 W - 97°x77° - 144°x50° (2 sides) - 4000K - DALI - Matt Silver	4606 lm
<b>VK-10011-T4-T2-W30-DA-05</b>	VEKTER 4 - VK-10011 - 2 x 12 LED - 2 x 20 W - 97°x77° - 144°x50° (2 sides) - 3000K - DALI - Matt Silver	4306 lm
<b>VK-10011-T4-T2-W40-DI-05</b>	VEKTER 4 - VK-10011 - 2 x 12 LED - 2 x 20 W - 97°x77° - 144°x50° (2 sides) - 4000K - 1-10V - Matt Silver	4606 lm
<b>VK-10011-T4-T2-W30-DI-05</b>	VEKTER 4 - VK-10011 - 2 x 12 LED - 2 x 20 W - 97°x77° - 144°x50° (2 sides) - 3000K - 1-10V - Matt Silver	4306 lm
<b>VK-10011-T4-T2-W40-DA-01</b>	VEKTER 4 - VK-10011 - 2 x 12 LED - 2 x 20 W - 97°x77° - 144°x50° (2 sides) - 4000K - DALI - Black	4606 lm
<b>VK-10011-T4-T2-W30-DA-01</b>	VEKTER 4 - VK-10011 - 2 x 12 LED - 2 x 20 W - 97°x77° - 144°x50° (2 sides) - 3000K - DALI - Black	4306 lm
<b>VK-10011-T4-T2-W40-DI-02</b>	VEKTER 4 - VK-10011 - 2 x 12 LED - 2 x 20 W - 97°x77° - 144°x50° (2 sides) - 4000K - 1-10V - Dark Grey	4606 lm
<b>VK-10011-T4-T2-W30-DI-02</b>	VEKTER 4 - VK-10011 - 2 x 12 LED - 2 x 20 W - 97°x77° - 144°x50° (2 sides) - 3000K - 1-10V - Dark Grey	4306 lm
<b>VK-10011-T4-T2-W40-ND-06</b>	VEKTER 4 - VK-10011 - 2 x 12 LED - 2 x 20 W - 97°x77° - 144°x50° (2 sides) - 4000K - On/Off - Bronze	4606 lm
<b>VK-10011-T4-T2-W30-ND-06</b>	VEKTER 4 - VK-10011 - 2 x 12 LED - 2 x 20 W - 97°x77° - 144°x50° (2 sides) - 3000K - On/Off - Bronze	4306 lm
<b>VK-10011-T4-T2-W40-DA-02</b>	VEKTER 4 - VK-10011 - 2 x 12 LED - 2 x 20 W - 97°x77° - 144°x50° (2 sides) - 4000K - DALI - Dark Grey	4606 lm
<b>VK-10011-T4-T2-W30-DA-02</b>	VEKTER 4 - VK-10011 - 2 x 12 LED - 2 x 20 W - 97°x77° - 144°x50° (2 sides) - 3000K - DALI - Dark Grey	4306 lm
<b>VK-10011-T4-T2-W40-ND-01</b>	VEKTER 4 - VK-10011 - 2 x 12 LED - 2 x 20 W - 97°x77° - 144°x50° (2 sides) - 4000K - On/Off - Black	4606 lm
<b>VK-10011-T4-T2-W30-ND-01</b>	VEKTER 4 - VK-10011 - 2 x 12 LED - 2 x 20 W - 97°x77° - 144°x50° (2 sides) - 3000K - On/Off - Black	4306 lm
<b>VK-10011-T4-T2-W40-DI-06</b>	VEKTER 4 - VK-10011 - 2 x 12 LED - 2 x 20 W - 97°x77° - 144°x50° (2 sides) - 4000K - 1-10V - Bronze	4606 lm
<b>VK-10011-T4-T2-W30-DI-06</b>	VEKTER 4 - VK-10011 - 2 x 12 LED - 2 x 20 W - 97°x77° - 144°x50° (2 sides) - 3000K - 1-10V - Bronze	4306 lm
<b>VK-10011-T4-T2-W40-DA-06</b>	VEKTER 4 - VK-10011 - 2 x 12 LED - 2 x 20 W - 97°x77° - 144°x50° (2 sides) - 4000K - DALI - Bronze	4606 lm
<b>VK-10011-T4-T2-W30-DA-06</b>	VEKTER 4 - VK-10011 - 2 x 12 LED - 2 x 20 W - 97°x77° - 144°x50° (2 sides) - 3000K - DALI - Bronze	4306 lm
<b>VK-10011-T4-T2-W40-DI-03</b>	VEKTER 4 - VK-10011 - 2 x 12 LED - 2 x 20 W - 97°x77° - 144°x50° (2 sides) - 4000K - 1-10V - White	4606 lm
<b>VK-10011-T4-T2-W30-DI-03</b>	VEKTER 4 - VK-10011 - 2 x 12 LED - 2 x 20 W - 97°x77° - 144°x50° (2 sides) - 3000K - 1-10V - White	4306 lm
<b>VK-10011-T4-T2-W40-ND-02</b>	VEKTER 4 - VK-10011 - 2 x 12 LED - 2 x 20 W - 97°x77° - 144°x50° (2 sides) - 4000K - On/Off - Dark Grey	4606 lm
<b>VK-10011-T4-T2-W30-ND-02</b>	VEKTER 4 - VK-10011 - 2 x 12 LED - 2 x 20 W - 97°x77° - 144°x50° (2 sides) - 3000K - On/Off - Dark Grey	4306 lm
<b>VK-10011-T4-T2-W40-DI-01</b>	VEKTER 4 - VK-10011 - 2 x 12 LED - 2 x 20 W - 97°x77° - 144°x50° (2 sides) - 4000K - 1-10V - Black	4606 lm
<b>VK-10011-T4-T2-W30-DI-01</b>	VEKTER 4 - VK-10011 - 2 x 12 LED - 2 x 20 W - 97°x77° - 144°x50° (2 sides) - 3000K - 1-10V - Black	4306 lm
<b>VK-10011-T4-T2-W40-ND-03</b>	VEKTER 4 - VK-10011 - 2 x 12 LED - 2 x 20 W - 97°x77° - 144°x50° (2 sides) - 4000K - On/Off - White	4606 lm
<b>VK-10011-T4-T2-W30-ND-03</b>	VEKTER 4 - VK-10011 - 2 x 12 LED - 2 x 20 W - 97°x77° - 144°x50° (2 sides) - 3000K - On/Off - White	4306 lm
<b>VK-10011-T4-T2-W40-ND-05</b>	VEKTER 4 - VK-10011 - 2 x 12 LED - 2 x 20 W - 97°x77° - 144°x50° (2 sides) - 4000K - On/Off - Matt Silver	4606 lm
<b>VK-10011-T4-T2-W30-ND-05</b>	VEKTER 4 - VK-10011 - 2 x 12 LED - 2 x 20 W - 97°x77° - 144°x50° (2 sides) - 3000K - On/Off - Matt Silver	4306 lm
<b>VK-10011-T4-T2-W40-DA-03</b>	VEKTER 4 - VK-10011 - 2 x 12 LED - 2 x 20 W - 97°x77° - 144°x50° (2 sides) - 4000K - DALI - White	4606 lm
<b>VK-10011-T4-T2-W30-DA-03</b>	VEKTER 4 - VK-10011 - 2 x 12 LED - 2 x 20 W - 97°x77° - 144°x50° (2 sides) - 3000K - DALI - White	4306 lm
<b>VK-10011-W-W-W40-DA-05</b>	VEKTER 4 - VK-10011 - 2 x 12 LED - 2 x 20 W - 53° - 53° (2 sides) - 4000K - DALI - Matt Silver	4920 lm
<b>VK-10011-W-W-W30-DA-05</b>	VEKTER 4 - VK-10011 - 2 x 12 LED - 2 x 20 W - 53° - 53° (2 sides) - 3000K - DALI - Matt Silver	4598 lm
<b>VK-10011-W-W-W40-DI-06</b>	VEKTER 4 - VK-10011 - 2 x 12 LED - 2 x 20 W - 53° - 53° (2 sides) - 4000K - 1-10V - Bronze	4920 lm
<b>VK-10011-W-W-W30-DI-06</b>	VEKTER 4 - VK-10011 - 2 x 12 LED - 2 x 20 W - 53° - 53° (2 sides) - 3000K - 1-10V - Bronze	4598 lm
<b>VK-10011-W-W-W40-DI-02</b>	VEKTER 4 - VK-10011 - 2 x 12 LED - 2 x 20 W - 53° - 53° (2 sides) - 4000K - 1-10V - Dark Grey	4920 lm
<b>VK-10011-W-W-W30-DI-02</b>	VEKTER 4 - VK-10011 - 2 x 12 LED - 2 x 20 W - 53° - 53° (2 sides) - 3000K - 1-10V - Dark Grey	4598 lm
<b>VK-10011-W-W-W40-DA-01</b>	VEKTER 4 - VK-10011 - 2 x 12 LED - 2 x 20 W - 53° - 53° (2 sides) - 4000K - DALI - Black	4920 lm
<b>VK-10011-W-W-W30-DA-01</b>	VEKTER 4 - VK-10011 - 2 x 12 LED - 2 x 20 W - 53° - 53° (2 sides) - 3000K - DALI - Black	4598 lm
<b>VK-10011-W-W-W40-ND-03</b>	VEKTER 4 - VK-10011 - 2 x 12 LED - 2 x 20 W - 53° - 53° (2 sides) - 4000K - On/Off - White	4920 lm
<b>VK-10011-W-W-W30-ND-03</b>	VEKTER 4 - VK-10011 - 2 x 12 LED - 2 x 20 W - 53° - 53° (2 sides) - 3000K - On/Off - White	4598 lm
<b>VK-10011-W-W-W40-ND-05</b>	VEKTER 4 - VK-10011 - 2 x 12 LED - 2 x 20 W - 53° - 53° (2 sides) - 4000K - On/Off - Matt Silver	4920 lm
<b>VK-10011-W-W-W30-ND-05</b>	VEKTER 4 - VK-10011 - 2 x 12 LED - 2 x 20 W - 53° - 53° (2 sides) - 3000K - On/Off - Matt Silver	4598 lm
<b>VK-10011-W-W-W40-DI-03</b>	VEKTER 4 - VK-10011 - 2 x 12 LED - 2 x 20 W - 53° - 53° (2 sides) - 4000K - 1-10V - White	4920 lm
<b>VK-10011-W-W-W30-DI-03</b>	VEKTER 4 - VK-10011 - 2 x 12 LED - 2 x 20 W - 53° - 53° (2 sides) - 3000K - 1-10V - White	4598 lm

**VEKTER 4 (VK-10011)**

VK-10011-W-W-W40-DI-01	VEKTER 4 - VK-10011 - 2 x 12 LED - 2 x 20 W - 53° - 53° (2 sides) - 4000K - 1-10V - Black	4920 lm
VK-10011-W-W-W30-DI-01	VEKTER 4 - VK-10011 - 2 x 12 LED - 2 x 20 W - 53° - 53° (2 sides) - 3000K - 1-10V - Black	4598 lm
VK-10011-W-W-W40-DI-05	VEKTER 4 - VK-10011 - 2 x 12 LED - 2 x 20 W - 53° - 53° (2 sides) - 4000K - 1-10V - Matt Silver	4920 lm
VK-10011-W-W-W30-DI-05	VEKTER 4 - VK-10011 - 2 x 12 LED - 2 x 20 W - 53° - 53° (2 sides) - 3000K - 1-10V - Matt Silver	4598 lm
VK-10011-W-W-W40-ND-02	VEKTER 4 - VK-10011 - 2 x 12 LED - 2 x 20 W - 53° - 53° (2 sides) - 4000K - On/Off - Dark Grey	4920 lm
VK-10011-W-W-W30-ND-02	VEKTER 4 - VK-10011 - 2 x 12 LED - 2 x 20 W - 53° - 53° (2 sides) - 3000K - On/Off - Dark Grey	4598 lm
VK-10011-W-W-W40-ND-01	VEKTER 4 - VK-10011 - 2 x 12 LED - 2 x 20 W - 53° - 53° (2 sides) - 4000K - On/Off - Black	4920 lm
VK-10011-W-W-W30-ND-01	VEKTER 4 - VK-10011 - 2 x 12 LED - 2 x 20 W - 53° - 53° (2 sides) - 3000K - On/Off - Black	4598 lm
VK-10011-W-W-W40-DA-02	VEKTER 4 - VK-10011 - 2 x 12 LED - 2 x 20 W - 53° - 53° (2 sides) - 4000K - DALI - Dark Grey	4920 lm
VK-10011-W-W-W30-DA-02	VEKTER 4 - VK-10011 - 2 x 12 LED - 2 x 20 W - 53° - 53° (2 sides) - 3000K - DALI - Dark Grey	4598 lm
VK-10011-W-W-W40-DA-03	VEKTER 4 - VK-10011 - 2 x 12 LED - 2 x 20 W - 53° - 53° (2 sides) - 4000K - DALI - White	4920 lm
VK-10011-W-W-W30-DA-03	VEKTER 4 - VK-10011 - 2 x 12 LED - 2 x 20 W - 53° - 53° (2 sides) - 3000K - DALI - White	4598 lm
VK-10011-W-W-W40-ND-06	VEKTER 4 - VK-10011 - 2 x 12 LED - 2 x 20 W - 53° - 53° (2 sides) - 4000K - On/Off - Bronze	4920 lm
VK-10011-W-W-W30-ND-06	VEKTER 4 - VK-10011 - 2 x 12 LED - 2 x 20 W - 53° - 53° (2 sides) - 3000K - On/Off - Bronze	4598 lm
VK-10011-W-W-W40-DA-06	VEKTER 4 - VK-10011 - 2 x 12 LED - 2 x 20 W - 53° - 53° (2 sides) - 4000K - DALI - Bronze	4920 lm
VK-10011-W-W-W30-DA-06	VEKTER 4 - VK-10011 - 2 x 12 LED - 2 x 20 W - 53° - 53° (2 sides) - 3000K - DALI - Bronze	4598 lm
VK-10011-EW-T3-W30-DI-06	VEKTER 4 - VK-10011 - 2 x 12 LED - 2 x 20 W - 119° - 139°x68° (2 sides) - 3000K - 1-10V - Bronze	4624 lm
VK-10011-EW-T3-W40-DI-06	VEKTER 4 - VK-10011 - 2 x 12 LED - 2 x 20 W - 119° - 139°x68° (2 sides) - 4000K - 1-10V - Bronze	4946 lm
VK-10011-EW-T3-W30-DI-03	VEKTER 4 - VK-10011 - 2 x 12 LED - 2 x 20 W - 119° - 139°x68° (2 sides) - 3000K - 1-10V - White	4624 lm
VK-10011-EW-T3-W40-DI-03	VEKTER 4 - VK-10011 - 2 x 12 LED - 2 x 20 W - 119° - 139°x68° (2 sides) - 4000K - 1-10V - White	4946 lm
VK-10011-EW-T3-W30-DA-03	VEKTER 4 - VK-10011 - 2 x 12 LED - 2 x 20 W - 119° - 139°x68° (2 sides) - 3000K - DALI - White	4624 lm
VK-10011-EW-T3-W40-DA-03	VEKTER 4 - VK-10011 - 2 x 12 LED - 2 x 20 W - 119° - 139°x68° (2 sides) - 4000K - DALI - White	4946 lm
VK-10011-EW-T3-W30-DA-05	VEKTER 4 - VK-10011 - 2 x 12 LED - 2 x 20 W - 119° - 139°x68° (2 sides) - 3000K - DALI - Matt Silver	4624 lm
VK-10011-EW-T3-W40-DA-05	VEKTER 4 - VK-10011 - 2 x 12 LED - 2 x 20 W - 119° - 139°x68° (2 sides) - 4000K - DALI - Matt Silver	4946 lm
VK-10011-EW-T3-W30-DI-01	VEKTER 4 - VK-10011 - 2 x 12 LED - 2 x 20 W - 119° - 139°x68° (2 sides) - 3000K - 1-10V - Black	4624 lm
VK-10011-EW-T3-W40-DI-01	VEKTER 4 - VK-10011 - 2 x 12 LED - 2 x 20 W - 119° - 139°x68° (2 sides) - 4000K - 1-10V - Black	4946 lm
VK-10011-EW-T3-W30-ND-02	VEKTER 4 - VK-10011 - 2 x 12 LED - 2 x 20 W - 119° - 139°x68° (2 sides) - 3000K - On/Off - Dark Grey	4624 lm
VK-10011-EW-T3-W40-ND-02	VEKTER 4 - VK-10011 - 2 x 12 LED - 2 x 20 W - 119° - 139°x68° (2 sides) - 4000K - On/Off - Dark Grey	4946 lm
VK-10011-EW-T3-W30-DA-06	VEKTER 4 - VK-10011 - 2 x 12 LED - 2 x 20 W - 119° - 139°x68° (2 sides) - 3000K - DALI - Bronze	4624 lm
VK-10011-EW-T3-W40-DA-06	VEKTER 4 - VK-10011 - 2 x 12 LED - 2 x 20 W - 119° - 139°x68° (2 sides) - 4000K - DALI - Bronze	4946 lm
VK-10011-EW-T3-W30-ND-05	VEKTER 4 - VK-10011 - 2 x 12 LED - 2 x 20 W - 119° - 139°x68° (2 sides) - 3000K - On/Off - Matt Silver	4624 lm
VK-10011-EW-T3-W40-ND-05	VEKTER 4 - VK-10011 - 2 x 12 LED - 2 x 20 W - 119° - 139°x68° (2 sides) - 4000K - On/Off - Matt Silver	4946 lm
VK-10011-EW-T3-W30-ND-01	VEKTER 4 - VK-10011 - 2 x 12 LED - 2 x 20 W - 119° - 139°x68° (2 sides) - 3000K - On/Off - Black	4624 lm
VK-10011-EW-T3-W40-ND-01	VEKTER 4 - VK-10011 - 2 x 12 LED - 2 x 20 W - 119° - 139°x68° (2 sides) - 4000K - On/Off - Black	4946 lm
VK-10011-EW-T3-W30-DI-05	VEKTER 4 - VK-10011 - 2 x 12 LED - 2 x 20 W - 119° - 139°x68° (2 sides) - 3000K - 1-10V - Matt Silver	4624 lm
VK-10011-EW-T3-W40-DI-05	VEKTER 4 - VK-10011 - 2 x 12 LED - 2 x 20 W - 119° - 139°x68° (2 sides) - 4000K - 1-10V - Matt Silver	4946 lm
VK-10011-EW-T3-W30-DA-01	VEKTER 4 - VK-10011 - 2 x 12 LED - 2 x 20 W - 119° - 139°x68° (2 sides) - 3000K - DALI - Black	4624 lm
VK-10011-EW-T3-W40-DA-01	VEKTER 4 - VK-10011 - 2 x 12 LED - 2 x 20 W - 119° - 139°x68° (2 sides) - 4000K - DALI - Black	4946 lm
VK-10011-EW-T3-W30-DI-02	VEKTER 4 - VK-10011 - 2 x 12 LED - 2 x 20 W - 119° - 139°x68° (2 sides) - 3000K - 1-10V - Dark Grey	4624 lm
VK-10011-EW-T3-W40-DI-02	VEKTER 4 - VK-10011 - 2 x 12 LED - 2 x 20 W - 119° - 139°x68° (2 sides) - 4000K - 1-10V - Dark Grey	4946 lm
VK-10011-EW-T3-W30-DA-02	VEKTER 4 - VK-10011 - 2 x 12 LED - 2 x 20 W - 119° - 139°x68° (2 sides) - 3000K - DALI - Dark Grey	4624 lm
VK-10011-EW-T3-W40-DA-02	VEKTER 4 - VK-10011 - 2 x 12 LED - 2 x 20 W - 119° - 139°x68° (2 sides) - 4000K - DALI - Dark Grey	4946 lm
VK-10011-EW-T3-W30-ND-03	VEKTER 4 - VK-10011 - 2 x 12 LED - 2 x 20 W - 119° - 139°x68° (2 sides) - 3000K - On/Off - White	4624 lm
VK-10011-EW-T3-W40-ND-03	VEKTER 4 - VK-10011 - 2 x 12 LED - 2 x 20 W - 119° - 139°x68° (2 sides) - 4000K - On/Off - White	4946 lm
VK-10011-EW-T3-W30-ND-06	VEKTER 4 - VK-10011 - 2 x 12 LED - 2 x 20 W - 119° - 139°x68° (2 sides) - 3000K - On/Off - Bronze	4624 lm
VK-10011-EW-T3-W40-ND-06	VEKTER 4 - VK-10011 - 2 x 12 LED - 2 x 20 W - 119° - 139°x68° (2 sides) - 4000K - On/Off - Bronze	4946 lm
VK-10011-M-EW-W30-ND-01	VEKTER 4 - VK-10011 - 2 x 12 LED - 2 x 20 W - 31° - 119° (2 sides) - 3000K - On/Off - Black	4572 lm
VK-10011-M-EW-W40-ND-01	VEKTER 4 - VK-10011 - 2 x 12 LED - 2 x 20 W - 31° - 119° (2 sides) - 4000K - On/Off - Black	4892 lm
VK-10011-M-EW-W30-DA-05	VEKTER 4 - VK-10011 - 2 x 12 LED - 2 x 20 W - 31° - 119° (2 sides) - 3000K - DALI - Matt Silver	4572 lm
VK-10011-M-EW-W40-DA-05	VEKTER 4 - VK-10011 - 2 x 12 LED - 2 x 20 W - 31° - 119° (2 sides) - 4000K - DALI - Matt Silver	4892 lm
VK-10011-M-EW-W30-DA-01	VEKTER 4 - VK-10011 - 2 x 12 LED - 2 x 20 W - 31° - 119° (2 sides) - 3000K - DALI - Black	4572 lm
VK-10011-M-EW-W40-DA-01	VEKTER 4 - VK-10011 - 2 x 12 LED - 2 x 20 W - 31° - 119° (2 sides) - 4000K - DALI - Black	4892 lm
VK-10011-M-EW-W30-ND-03	VEKTER 4 - VK-10011 - 2 x 12 LED - 2 x 20 W - 31° - 119° (2 sides) - 3000K - On/Off - White	4572 lm
VK-10011-M-EW-W40-ND-03	VEKTER 4 - VK-10011 - 2 x 12 LED - 2 x 20 W - 31° - 119° (2 sides) - 4000K - On/Off - White	4892 lm
VK-10011-M-EW-W30-ND-02	VEKTER 4 - VK-10011 - 2 x 12 LED - 2 x 20 W - 31° - 119° (2 sides) - 3000K - On/Off - Dark Grey	4572 lm
VK-10011-M-EW-W40-ND-02	VEKTER 4 - VK-10011 - 2 x 12 LED - 2 x 20 W - 31° - 119° (2 sides) - 4000K - On/Off - Dark Grey	4892 lm
VK-10011-M-EW-W30-DI-02	VEKTER 4 - VK-10011 - 2 x 12 LED - 2 x 20 W - 31° - 119° (2 sides) - 3000K - 1-10V - Dark Grey	4572 lm
VK-10011-M-EW-W40-DI-02	VEKTER 4 - VK-10011 - 2 x 12 LED - 2 x 20 W - 31° - 119° (2 sides) - 4000K - 1-10V - Dark Grey	4892 lm
VK-10011-M-EW-W30-DI-01	VEKTER 4 - VK-10011 - 2 x 12 LED - 2 x 20 W - 31° - 119° (2 sides) - 3000K - 1-10V - Black	4572 lm

**VEKTER 4 (VK-10011)**

VK-10011-M-EW-W40-DI-01	VEKTER 4 - VK-10011 - 2 x 12 LED - 2 x 20 W - 31° - 119° (2 sides) - 4000K - 1-10V - Black	4892 lm
VK-10011-M-EW-W30-ND-06	VEKTER 4 - VK-10011 - 2 x 12 LED - 2 x 20 W - 31° - 119° (2 sides) - 3000K - On/Off - Bronze	4572 lm
VK-10011-M-EW-W40-ND-06	VEKTER 4 - VK-10011 - 2 x 12 LED - 2 x 20 W - 31° - 119° (2 sides) - 4000K - On/Off - Bronze	4892 lm
VK-10011-M-EW-W30-DI-03	VEKTER 4 - VK-10011 - 2 x 12 LED - 2 x 20 W - 31° - 119° (2 sides) - 3000K - 1-10V - White	4572 lm
VK-10011-M-EW-W40-DI-03	VEKTER 4 - VK-10011 - 2 x 12 LED - 2 x 20 W - 31° - 119° (2 sides) - 4000K - 1-10V - White	4892 lm
VK-10011-M-EW-W30-DA-06	VEKTER 4 - VK-10011 - 2 x 12 LED - 2 x 20 W - 31° - 119° (2 sides) - 3000K - DALI - Bronze	4572 lm
VK-10011-M-EW-W40-DA-06	VEKTER 4 - VK-10011 - 2 x 12 LED - 2 x 20 W - 31° - 119° (2 sides) - 4000K - DALI - Bronze	4892 lm
VK-10011-M-EW-W30-ND-05	VEKTER 4 - VK-10011 - 2 x 12 LED - 2 x 20 W - 31° - 119° (2 sides) - 3000K - On/Off - Matt Silver	4572 lm
VK-10011-M-EW-W40-ND-05	VEKTER 4 - VK-10011 - 2 x 12 LED - 2 x 20 W - 31° - 119° (2 sides) - 4000K - On/Off - Matt Silver	4892 lm
VK-10011-M-EW-W30-DI-06	VEKTER 4 - VK-10011 - 2 x 12 LED - 2 x 20 W - 31° - 119° (2 sides) - 3000K - 1-10V - Bronze	4572 lm
VK-10011-M-EW-W40-DI-06	VEKTER 4 - VK-10011 - 2 x 12 LED - 2 x 20 W - 31° - 119° (2 sides) - 4000K - 1-10V - Bronze	4892 lm
VK-10011-M-EW-W30-DA-03	VEKTER 4 - VK-10011 - 2 x 12 LED - 2 x 20 W - 31° - 119° (2 sides) - 3000K - DALI - White	4572 lm
VK-10011-M-EW-W40-DA-03	VEKTER 4 - VK-10011 - 2 x 12 LED - 2 x 20 W - 31° - 119° (2 sides) - 4000K - DALI - White	4892 lm
VK-10011-M-EW-W30-DI-05	VEKTER 4 - VK-10011 - 2 x 12 LED - 2 x 20 W - 31° - 119° (2 sides) - 3000K - 1-10V - Matt Silver	4572 lm
VK-10011-M-EW-W40-DI-05	VEKTER 4 - VK-10011 - 2 x 12 LED - 2 x 20 W - 31° - 119° (2 sides) - 4000K - 1-10V - Matt Silver	4892 lm
VK-10011-M-EW-W30-DA-02	VEKTER 4 - VK-10011 - 2 x 12 LED - 2 x 20 W - 31° - 119° (2 sides) - 3000K - DALI - Dark Grey	4572 lm
VK-10011-M-EW-W40-DA-02	VEKTER 4 - VK-10011 - 2 x 12 LED - 2 x 20 W - 31° - 119° (2 sides) - 4000K - DALI - Dark Grey	4892 lm
VK-10011-T2-T2-W40-DI-05	VEKTER 4 - VK-10011 - 2 x 12 LED - 2 x 20 W - 144°x50° - 144°x50° (2 sides) - 4000K - 1-10V - Matt Silver	4620 lm
VK-10011-T2-T2-W30-DI-05	VEKTER 4 - VK-10011 - 2 x 12 LED - 2 x 20 W - 144°x50° - 144°x50° (2 sides) - 3000K - 1-10V - Matt Silver	4318 lm
VK-10011-T2-T2-W40-DI-02	VEKTER 4 - VK-10011 - 2 x 12 LED - 2 x 20 W - 144°x50° - 144°x50° (2 sides) - 4000K - 1-10V - Dark Grey	4620 lm
VK-10011-T2-T2-W30-DI-02	VEKTER 4 - VK-10011 - 2 x 12 LED - 2 x 20 W - 144°x50° - 144°x50° (2 sides) - 3000K - 1-10V - Dark Grey	4318 lm
VK-10011-T2-T2-W40-ND-02	VEKTER 4 - VK-10011 - 2 x 12 LED - 2 x 20 W - 144°x50° - 144°x50° (2 sides) - 4000K - On/Off - Dark Grey	4620 lm
VK-10011-T2-T2-W30-ND-02	VEKTER 4 - VK-10011 - 2 x 12 LED - 2 x 20 W - 144°x50° - 144°x50° (2 sides) - 3000K - On/Off - Dark Grey	4318 lm
VK-10011-T2-T2-W40-DI-01	VEKTER 4 - VK-10011 - 2 x 12 LED - 2 x 20 W - 144°x50° - 144°x50° (2 sides) - 4000K - 1-10V - Black	4620 lm
VK-10011-T2-T2-W30-DI-01	VEKTER 4 - VK-10011 - 2 x 12 LED - 2 x 20 W - 144°x50° - 144°x50° (2 sides) - 3000K - 1-10V - Black	4318 lm
VK-10011-T2-T2-W40-DA-06	VEKTER 4 - VK-10011 - 2 x 12 LED - 2 x 20 W - 144°x50° - 144°x50° (2 sides) - 4000K - DALI - Bronze	4620 lm
VK-10011-T2-T2-W30-DA-06	VEKTER 4 - VK-10011 - 2 x 12 LED - 2 x 20 W - 144°x50° - 144°x50° (2 sides) - 3000K - DALI - Bronze	4318 lm
VK-10011-T2-T2-W40-DI-06	VEKTER 4 - VK-10011 - 2 x 12 LED - 2 x 20 W - 144°x50° - 144°x50° (2 sides) - 4000K - 1-10V - Bronze	4620 lm
VK-10011-T2-T2-W30-DI-06	VEKTER 4 - VK-10011 - 2 x 12 LED - 2 x 20 W - 144°x50° - 144°x50° (2 sides) - 3000K - 1-10V - Bronze	4318 lm
VK-10011-T2-T2-W40-ND-05	VEKTER 4 - VK-10011 - 2 x 12 LED - 2 x 20 W - 144°x50° - 144°x50° (2 sides) - 4000K - On/Off - Matt Silver	4620 lm
VK-10011-T2-T2-W30-ND-05	VEKTER 4 - VK-10011 - 2 x 12 LED - 2 x 20 W - 144°x50° - 144°x50° (2 sides) - 3000K - On/Off - Matt Silver	4318 lm
VK-10011-T2-T2-W40-DA-02	VEKTER 4 - VK-10011 - 2 x 12 LED - 2 x 20 W - 144°x50° - 144°x50° (2 sides) - 4000K - DALI - Dark Grey	4620 lm
VK-10011-T2-T2-W30-DA-02	VEKTER 4 - VK-10011 - 2 x 12 LED - 2 x 20 W - 144°x50° - 144°x50° (2 sides) - 3000K - DALI - Dark Grey	4318 lm
VK-10011-T2-T2-W40-DA-03	VEKTER 4 - VK-10011 - 2 x 12 LED - 2 x 20 W - 144°x50° - 144°x50° (2 sides) - 4000K - DALI - White	4620 lm
VK-10011-T2-T2-W30-DA-03	VEKTER 4 - VK-10011 - 2 x 12 LED - 2 x 20 W - 144°x50° - 144°x50° (2 sides) - 3000K - DALI - White	4318 lm
VK-10011-T2-T2-W40-DA-05	VEKTER 4 - VK-10011 - 2 x 12 LED - 2 x 20 W - 144°x50° - 144°x50° (2 sides) - 4000K - DALI - Matt Silver	4620 lm
VK-10011-T2-T2-W30-DA-05	VEKTER 4 - VK-10011 - 2 x 12 LED - 2 x 20 W - 144°x50° - 144°x50° (2 sides) - 3000K - DALI - Matt Silver	4318 lm
VK-10011-T2-T2-W40-ND-06	VEKTER 4 - VK-10011 - 2 x 12 LED - 2 x 20 W - 144°x50° - 144°x50° (2 sides) - 4000K - On/Off - Bronze	4620 lm
VK-10011-T2-T2-W30-ND-06	VEKTER 4 - VK-10011 - 2 x 12 LED - 2 x 20 W - 144°x50° - 144°x50° (2 sides) - 3000K - On/Off - Bronze	4318 lm
VK-10011-T2-T2-W40-DA-01	VEKTER 4 - VK-10011 - 2 x 12 LED - 2 x 20 W - 144°x50° - 144°x50° (2 sides) - 4000K - DALI - Black	4620 lm
VK-10011-T2-T2-W30-DA-01	VEKTER 4 - VK-10011 - 2 x 12 LED - 2 x 20 W - 144°x50° - 144°x50° (2 sides) - 3000K - DALI - Black	4318 lm
VK-10011-T2-T2-W40-ND-01	VEKTER 4 - VK-10011 - 2 x 12 LED - 2 x 20 W - 144°x50° - 144°x50° (2 sides) - 4000K - On/Off - Black	4620 lm
VK-10011-T2-T2-W30-ND-01	VEKTER 4 - VK-10011 - 2 x 12 LED - 2 x 20 W - 144°x50° - 144°x50° (2 sides) - 3000K - On/Off - Black	4318 lm
VK-10011-T2-T2-W40-DI-03	VEKTER 4 - VK-10011 - 2 x 12 LED - 2 x 20 W - 144°x50° - 144°x50° (2 sides) - 4000K - 1-10V - White	4620 lm
VK-10011-T2-T2-W30-DI-03	VEKTER 4 - VK-10011 - 2 x 12 LED - 2 x 20 W - 144°x50° - 144°x50° (2 sides) - 3000K - 1-10V - White	4318 lm
VK-10011-T2-T2-W40-ND-03	VEKTER 4 - VK-10011 - 2 x 12 LED - 2 x 20 W - 144°x50° - 144°x50° (2 sides) - 4000K - On/Off - White	4620 lm
VK-10011-T2-T2-W30-ND-03	VEKTER 4 - VK-10011 - 2 x 12 LED - 2 x 20 W - 144°x50° - 144°x50° (2 sides) - 3000K - On/Off - White	4318 lm
VK-10011-T3-W-W30-DI-01	VEKTER 4 - VK-10011 - 2 x 12 LED - 2 x 20 W - 139°x68° - 53° (2 sides) - 3000K - 1-10V - Black	4296 lm
VK-10011-T3-W-W40-DI-01	VEKTER 4 - VK-10011 - 2 x 12 LED - 2 x 20 W - 139°x68° - 53° (2 sides) - 4000K - 1-10V - Black	4596 lm
VK-10011-T3-W-W30-ND-01	VEKTER 4 - VK-10011 - 2 x 12 LED - 2 x 20 W - 139°x68° - 53° (2 sides) - 3000K - On/Off - Black	4296 lm
VK-10011-T3-W-W40-ND-01	VEKTER 4 - VK-10011 - 2 x 12 LED - 2 x 20 W - 139°x68° - 53° (2 sides) - 4000K - On/Off - Black	4596 lm
VK-10011-T3-W-W30-DI-02	VEKTER 4 - VK-10011 - 2 x 12 LED - 2 x 20 W - 139°x68° - 53° (2 sides) - 3000K - 1-10V - Dark Grey	4296 lm
VK-10011-T3-W-W40-DI-02	VEKTER 4 - VK-10011 - 2 x 12 LED - 2 x 20 W - 139°x68° - 53° (2 sides) - 4000K - 1-10V - Dark Grey	4596 lm

Мы оставляем за собой право вносить технические и конструктивные изменения.

10:32, 17-01-2020

<https://www.ligman.com/ru/vekter-4-vk-10011/>

Европа  
LIGMAN EUROPE s.r.o.  
VGP Park Ústí nad Labem  
P 2 120  
40317, Přestanov  
Czech Republic  
+420 477 071 500  
[sales.cz@ligman.com](mailto:sales.cz@ligman.com)

Страны азиатско-тихоокеанского региона  
LIGMAN Lighting Co.,Ltd.  
17/2 Moo4 Monthong  
Bangnampreaw  
24150, Chachoengsao  
Thailand  
+66 2 108 6700  
[info@ligman.com](mailto:info@ligman.com)

**VEKTER 4 (VK-10011)**

VK-10011-T3-W-W30-DI-05	VEKTER 4 - VK-10011 - 2 x 12 LED - 2 x 20 W - 139°x68° - 53° (2 sides) - 3000K - 1-10V - Matt Silver	4296 lm
VK-10011-T3-W-W40-DI-05	VEKTER 4 - VK-10011 - 2 x 12 LED - 2 x 20 W - 139°x68° - 53° (2 sides) - 4000K - 1-10V - Matt Silver	4596 lm
VK-10011-T3-W-W30-DA-05	VEKTER 4 - VK-10011 - 2 x 12 LED - 2 x 20 W - 139°x68° - 53° (2 sides) - 3000K - DALI - Matt Silver	4296 lm
VK-10011-T3-W-W40-DA-05	VEKTER 4 - VK-10011 - 2 x 12 LED - 2 x 20 W - 139°x68° - 53° (2 sides) - 4000K - DALI - Matt Silver	4596 lm
VK-10011-T3-W-W30-ND-06	VEKTER 4 - VK-10011 - 2 x 12 LED - 2 x 20 W - 139°x68° - 53° (2 sides) - 3000K - On/Off - Bronze	4296 lm
VK-10011-T3-W-W40-ND-06	VEKTER 4 - VK-10011 - 2 x 12 LED - 2 x 20 W - 139°x68° - 53° (2 sides) - 4000K - On/Off - Bronze	4596 lm
VK-10011-T3-W-W30-DA-02	VEKTER 4 - VK-10011 - 2 x 12 LED - 2 x 20 W - 139°x68° - 53° (2 sides) - 3000K - DALI - Dark Grey	4296 lm
VK-10011-T3-W-W40-DA-02	VEKTER 4 - VK-10011 - 2 x 12 LED - 2 x 20 W - 139°x68° - 53° (2 sides) - 4000K - DALI - Dark Grey	4596 lm
VK-10011-T3-W-W30-DA-01	VEKTER 4 - VK-10011 - 2 x 12 LED - 2 x 20 W - 139°x68° - 53° (2 sides) - 3000K - DALI - Black	4296 lm
VK-10011-T3-W-W40-DA-01	VEKTER 4 - VK-10011 - 2 x 12 LED - 2 x 20 W - 139°x68° - 53° (2 sides) - 4000K - DALI - Black	4596 lm
VK-10011-T3-W-W30-ND-05	VEKTER 4 - VK-10011 - 2 x 12 LED - 2 x 20 W - 139°x68° - 53° (2 sides) - 3000K - On/Off - Matt Silver	4296 lm
VK-10011-T3-W-W40-ND-05	VEKTER 4 - VK-10011 - 2 x 12 LED - 2 x 20 W - 139°x68° - 53° (2 sides) - 4000K - On/Off - Matt Silver	4596 lm
VK-10011-T3-W-W30-DI-06	VEKTER 4 - VK-10011 - 2 x 12 LED - 2 x 20 W - 139°x68° - 53° (2 sides) - 3000K - 1-10V - Bronze	4296 lm
VK-10011-T3-W-W40-DI-06	VEKTER 4 - VK-10011 - 2 x 12 LED - 2 x 20 W - 139°x68° - 53° (2 sides) - 4000K - 1-10V - Bronze	4596 lm
VK-10011-T3-W-W30-ND-03	VEKTER 4 - VK-10011 - 2 x 12 LED - 2 x 20 W - 139°x68° - 53° (2 sides) - 3000K - On/Off - White	4296 lm
VK-10011-T3-W-W40-ND-03	VEKTER 4 - VK-10011 - 2 x 12 LED - 2 x 20 W - 139°x68° - 53° (2 sides) - 4000K - On/Off - White	4596 lm
VK-10011-T3-W-W30-DI-03	VEKTER 4 - VK-10011 - 2 x 12 LED - 2 x 20 W - 139°x68° - 53° (2 sides) - 3000K - 1-10V - White	4296 lm
VK-10011-T3-W-W40-DI-03	VEKTER 4 - VK-10011 - 2 x 12 LED - 2 x 20 W - 139°x68° - 53° (2 sides) - 4000K - 1-10V - White	4596 lm
VK-10011-T3-W-W30-ND-02	VEKTER 4 - VK-10011 - 2 x 12 LED - 2 x 20 W - 139°x68° - 53° (2 sides) - 3000K - On/Off - Dark Grey	4296 lm
VK-10011-T3-W-W40-ND-02	VEKTER 4 - VK-10011 - 2 x 12 LED - 2 x 20 W - 139°x68° - 53° (2 sides) - 4000K - On/Off - Dark Grey	4596 lm
VK-10011-T3-W-W30-DA-03	VEKTER 4 - VK-10011 - 2 x 12 LED - 2 x 20 W - 139°x68° - 53° (2 sides) - 3000K - DALI - White	4296 lm
VK-10011-T3-W-W40-DA-03	VEKTER 4 - VK-10011 - 2 x 12 LED - 2 x 20 W - 139°x68° - 53° (2 sides) - 4000K - DALI - White	4596 lm
VK-10011-T3-W-W30-DA-06	VEKTER 4 - VK-10011 - 2 x 12 LED - 2 x 20 W - 139°x68° - 53° (2 sides) - 3000K - DALI - Bronze	4296 lm
VK-10011-T3-W-W40-DA-06	VEKTER 4 - VK-10011 - 2 x 12 LED - 2 x 20 W - 139°x68° - 53° (2 sides) - 4000K - DALI - Bronze	4596 lm
VK-10011-T4-T3-W40-ND-01	VEKTER 4 - VK-10011 - 2 x 12 LED - 2 x 20 W - 97°x77° - 139°x68° (2 sides) - 4000K - On/Off - Black	4606 lm
VK-10011-T4-T3-W30-ND-01	VEKTER 4 - VK-10011 - 2 x 12 LED - 2 x 20 W - 97°x77° - 139°x68° (2 sides) - 3000K - On/Off - Black	4306 lm
VK-10011-T4-T3-W40-DA-02	VEKTER 4 - VK-10011 - 2 x 12 LED - 2 x 20 W - 97°x77° - 139°x68° (2 sides) - 4000K - DALI - Dark Grey	4606 lm
VK-10011-T4-T3-W30-DA-02	VEKTER 4 - VK-10011 - 2 x 12 LED - 2 x 20 W - 97°x77° - 139°x68° (2 sides) - 3000K - DALI - Dark Grey	4306 lm
VK-10011-T4-T3-W40-ND-03	VEKTER 4 - VK-10011 - 2 x 12 LED - 2 x 20 W - 97°x77° - 139°x68° (2 sides) - 4000K - On/Off - White	4606 lm
VK-10011-T4-T3-W30-ND-03	VEKTER 4 - VK-10011 - 2 x 12 LED - 2 x 20 W - 97°x77° - 139°x68° (2 sides) - 3000K - On/Off - White	4306 lm
VK-10011-T4-T3-W40-DA-01	VEKTER 4 - VK-10011 - 2 x 12 LED - 2 x 20 W - 97°x77° - 139°x68° (2 sides) - 4000K - DALI - Black	4606 lm
VK-10011-T4-T3-W30-DA-01	VEKTER 4 - VK-10011 - 2 x 12 LED - 2 x 20 W - 97°x77° - 139°x68° (2 sides) - 3000K - DALI - Black	4306 lm
VK-10011-T4-T3-W40-DA-06	VEKTER 4 - VK-10011 - 2 x 12 LED - 2 x 20 W - 97°x77° - 139°x68° (2 sides) - 4000K - DALI - Bronze	4606 lm
VK-10011-T4-T3-W30-DA-06	VEKTER 4 - VK-10011 - 2 x 12 LED - 2 x 20 W - 97°x77° - 139°x68° (2 sides) - 3000K - DALI - Bronze	4306 lm
VK-10011-T4-T3-W40-DI-02	VEKTER 4 - VK-10011 - 2 x 12 LED - 2 x 20 W - 97°x77° - 139°x68° (2 sides) - 4000K - 1-10V - Dark Grey	4606 lm
VK-10011-T4-T3-W30-DI-02	VEKTER 4 - VK-10011 - 2 x 12 LED - 2 x 20 W - 97°x77° - 139°x68° (2 sides) - 3000K - 1-10V - Dark Grey	4306 lm
VK-10011-T4-T3-W40-DA-05	VEKTER 4 - VK-10011 - 2 x 12 LED - 2 x 20 W - 97°x77° - 139°x68° (2 sides) - 4000K - DALI - Matt Silver	4606 lm
VK-10011-T4-T3-W30-DA-05	VEKTER 4 - VK-10011 - 2 x 12 LED - 2 x 20 W - 97°x77° - 139°x68° (2 sides) - 3000K - DALI - Matt Silver	4306 lm
VK-10011-T4-T3-W40-ND-06	VEKTER 4 - VK-10011 - 2 x 12 LED - 2 x 20 W - 97°x77° - 139°x68° (2 sides) - 4000K - On/Off - Bronze	4606 lm
VK-10011-T4-T3-W30-ND-06	VEKTER 4 - VK-10011 - 2 x 12 LED - 2 x 20 W - 97°x77° - 139°x68° (2 sides) - 3000K - On/Off - Bronze	4306 lm
VK-10011-T4-T3-W40-DI-01	VEKTER 4 - VK-10011 - 2 x 12 LED - 2 x 20 W - 97°x77° - 139°x68° (2 sides) - 4000K - 1-10V - Black	4606 lm
VK-10011-T4-T3-W30-DI-01	VEKTER 4 - VK-10011 - 2 x 12 LED - 2 x 20 W - 97°x77° - 139°x68° (2 sides) - 3000K - 1-10V - Black	4306 lm
VK-10011-T4-T3-W40-DI-03	VEKTER 4 - VK-10011 - 2 x 12 LED - 2 x 20 W - 97°x77° - 139°x68° (2 sides) - 4000K - 1-10V - White	4606 lm
VK-10011-T4-T3-W30-DI-03	VEKTER 4 - VK-10011 - 2 x 12 LED - 2 x 20 W - 97°x77° - 139°x68° (2 sides) - 3000K - 1-10V - White	4306 lm
VK-10011-T4-T3-W40-ND-02	VEKTER 4 - VK-10011 - 2 x 12 LED - 2 x 20 W - 97°x77° - 139°x68° (2 sides) - 4000K - On/Off - Dark Grey	4606 lm
VK-10011-T4-T3-W30-ND-02	VEKTER 4 - VK-10011 - 2 x 12 LED - 2 x 20 W - 97°x77° - 139°x68° (2 sides) - 3000K - On/Off - Dark Grey	4306 lm
VK-10011-T4-T3-W40-DA-03	VEKTER 4 - VK-10011 - 2 x 12 LED - 2 x 20 W - 97°x77° - 139°x68° (2 sides) - 4000K - DALI - White	4606 lm
VK-10011-T4-T3-W30-DA-03	VEKTER 4 - VK-10011 - 2 x 12 LED - 2 x 20 W - 97°x77° - 139°x68° (2 sides) - 3000K - DALI - White	4306 lm
VK-10011-T4-T3-W40-DI-06	VEKTER 4 - VK-10011 - 2 x 12 LED - 2 x 20 W - 97°x77° - 139°x68° (2 sides) - 4000K - 1-10V - Bronze	4606 lm
VK-10011-T4-T3-W30-DI-06	VEKTER 4 - VK-10011 - 2 x 12 LED - 2 x 20 W - 97°x77° - 139°x68° (2 sides) - 3000K - 1-10V - Bronze	4306 lm
VK-10011-T4-T3-W40-ND-05	VEKTER 4 - VK-10011 - 2 x 12 LED - 2 x 20 W - 97°x77° - 139°x68° (2 sides) - 4000K - On/Off - Matt Silver	4606 lm
VK-10011-T4-T3-W30-ND-05	VEKTER 4 - VK-10011 - 2 x 12 LED - 2 x 20 W - 97°x77° - 139°x68° (2 sides) - 3000K - On/Off - Matt Silver	4306 lm
VK-10011-T4-T3-W40-DI-05	VEKTER 4 - VK-10011 - 2 x 12 LED - 2 x 20 W - 97°x77° - 139°x68° (2 sides) - 4000K - 1-10V - Matt Silver	4606 lm
VK-10011-T4-T3-W30-DI-05	VEKTER 4 - VK-10011 - 2 x 12 LED - 2 x 20 W - 97°x77° - 139°x68° (2 sides) - 3000K - 1-10V - Matt Silver	4306 lm
VK-10011-W-T2-W30-DA-05	VEKTER 4 - VK-10011 - 2 x 12 LED - 2 x 20 W - 53° - 144°x50° (2 sides) - 3000K - DALI - Matt Silver	4598 lm
VK-10011-W-T2-W40-DA-05	VEKTER 4 - VK-10011 - 2 x 12 LED - 2 x 20 W - 53° - 144°x50° (2 sides) - 4000K - DALI - Matt Silver	4920 lm
VK-10011-W-T2-W30-DA-03	VEKTER 4 - VK-10011 - 2 x 12 LED - 2 x 20 W - 53° - 144°x50° (2 sides) - 3000K - DALI - White	4598 lm
VK-10011-W-T2-W40-DA-03	VEKTER 4 - VK-10011 - 2 x 12 LED - 2 x 20 W - 53° - 144°x50° (2 sides) - 4000K - DALI - White	4920 lm
VK-10011-W-T2-W30-DA-06	VEKTER 4 - VK-10011 - 2 x 12 LED - 2 x 20 W - 53° - 144°x50° (2 sides) - 3000K - DALI - Bronze	4598 lm

## VEKTER 4 (VK-10011)

VK-10011-W-T2-W40-DA-06	VEKTER 4 - VK-10011 - 2 x 12 LED - 2 x 20 W - 53° - 144°x50° (2 sides) - 4000K - DALI - Bronze	4920 lm
VK-10011-W-T2-W30-ND-02	VEKTER 4 - VK-10011 - 2 x 12 LED - 2 x 20 W - 53° - 144°x50° (2 sides) - 3000K - On/Off - Dark Grey	4598 lm
VK-10011-W-T2-W40-ND-02	VEKTER 4 - VK-10011 - 2 x 12 LED - 2 x 20 W - 53° - 144°x50° (2 sides) - 4000K - On/Off - Dark Grey	4920 lm
VK-10011-W-T2-W30-ND-06	VEKTER 4 - VK-10011 - 2 x 12 LED - 2 x 20 W - 53° - 144°x50° (2 sides) - 3000K - On/Off - Bronze	4598 lm
VK-10011-W-T2-W40-ND-06	VEKTER 4 - VK-10011 - 2 x 12 LED - 2 x 20 W - 53° - 144°x50° (2 sides) - 4000K - On/Off - Bronze	4920 lm
VK-10011-W-T2-W30-DA-02	VEKTER 4 - VK-10011 - 2 x 12 LED - 2 x 20 W - 53° - 144°x50° (2 sides) - 3000K - DALI - Dark Grey	4598 lm
VK-10011-W-T2-W40-DA-02	VEKTER 4 - VK-10011 - 2 x 12 LED - 2 x 20 W - 53° - 144°x50° (2 sides) - 4000K - DALI - Dark Grey	4920 lm
VK-10011-W-T2-W30-ND-03	VEKTER 4 - VK-10011 - 2 x 12 LED - 2 x 20 W - 53° - 144°x50° (2 sides) - 3000K - On/Off - White	4598 lm
VK-10011-W-T2-W40-ND-03	VEKTER 4 - VK-10011 - 2 x 12 LED - 2 x 20 W - 53° - 144°x50° (2 sides) - 4000K - On/Off - White	4920 lm
VK-10011-W-T2-W30-DI-02	VEKTER 4 - VK-10011 - 2 x 12 LED - 2 x 20 W - 53° - 144°x50° (2 sides) - 3000K - 1-10V - Dark Grey	4598 lm
VK-10011-W-T2-W40-DI-02	VEKTER 4 - VK-10011 - 2 x 12 LED - 2 x 20 W - 53° - 144°x50° (2 sides) - 4000K - 1-10V - Dark Grey	4920 lm
VK-10011-W-T2-W30-DI-01	VEKTER 4 - VK-10011 - 2 x 12 LED - 2 x 20 W - 53° - 144°x50° (2 sides) - 3000K - 1-10V - Black	4598 lm
VK-10011-W-T2-W40-DI-01	VEKTER 4 - VK-10011 - 2 x 12 LED - 2 x 20 W - 53° - 144°x50° (2 sides) - 4000K - 1-10V - Black	4920 lm
VK-10011-W-T2-W30-DA-01	VEKTER 4 - VK-10011 - 2 x 12 LED - 2 x 20 W - 53° - 144°x50° (2 sides) - 3000K - DALI - Black	4598 lm
VK-10011-W-T2-W40-DA-01	VEKTER 4 - VK-10011 - 2 x 12 LED - 2 x 20 W - 53° - 144°x50° (2 sides) - 4000K - DALI - Black	4920 lm
VK-10011-W-T2-W30-DI-06	VEKTER 4 - VK-10011 - 2 x 12 LED - 2 x 20 W - 53° - 144°x50° (2 sides) - 3000K - 1-10V - Bronze	4598 lm
VK-10011-W-T2-W40-DI-06	VEKTER 4 - VK-10011 - 2 x 12 LED - 2 x 20 W - 53° - 144°x50° (2 sides) - 4000K - 1-10V - Bronze	4920 lm
VK-10011-W-T2-W30-ND-01	VEKTER 4 - VK-10011 - 2 x 12 LED - 2 x 20 W - 53° - 144°x50° (2 sides) - 3000K - On/Off - Black	4598 lm
VK-10011-W-T2-W40-ND-01	VEKTER 4 - VK-10011 - 2 x 12 LED - 2 x 20 W - 53° - 144°x50° (2 sides) - 4000K - On/Off - Black	4920 lm
VK-10011-W-T2-W30-DI-03	VEKTER 4 - VK-10011 - 2 x 12 LED - 2 x 20 W - 53° - 144°x50° (2 sides) - 3000K - 1-10V - White	4598 lm
VK-10011-W-T2-W40-DI-03	VEKTER 4 - VK-10011 - 2 x 12 LED - 2 x 20 W - 53° - 144°x50° (2 sides) - 4000K - 1-10V - White	4920 lm
VK-10011-W-T2-W30-ND-05	VEKTER 4 - VK-10011 - 2 x 12 LED - 2 x 20 W - 53° - 144°x50° (2 sides) - 3000K - On/Off - Matt Silver	4598 lm
VK-10011-W-T2-W40-ND-05	VEKTER 4 - VK-10011 - 2 x 12 LED - 2 x 20 W - 53° - 144°x50° (2 sides) - 4000K - On/Off - Matt Silver	4920 lm
VK-10011-W-T2-W30-DI-05	VEKTER 4 - VK-10011 - 2 x 12 LED - 2 x 20 W - 53° - 144°x50° (2 sides) - 3000K - 1-10V - Matt Silver	4598 lm
VK-10011-W-T2-W40-DI-05	VEKTER 4 - VK-10011 - 2 x 12 LED - 2 x 20 W - 53° - 144°x50° (2 sides) - 4000K - 1-10V - Matt Silver	4920 lm
VK-10011-EW-EW-W30-ND-02	VEKTER 4 - VK-10011 - 2 x 12 LED - 2 x 20 W - 119° - 119° (2 sides) - 3000K - On/Off - Dark Grey	4624 lm
VK-10011-EW-EW-W40-ND-02	VEKTER 4 - VK-10011 - 2 x 12 LED - 2 x 20 W - 119° - 119° (2 sides) - 4000K - On/Off - Dark Grey	4946 lm
VK-10011-EW-EW-W30-DA-01	VEKTER 4 - VK-10011 - 2 x 12 LED - 2 x 20 W - 119° - 119° (2 sides) - 3000K - DALI - Black	4624 lm
VK-10011-EW-EW-W40-DA-01	VEKTER 4 - VK-10011 - 2 x 12 LED - 2 x 20 W - 119° - 119° (2 sides) - 4000K - DALI - Black	4946 lm
VK-10011-EW-EW-W30-DI-02	VEKTER 4 - VK-10011 - 2 x 12 LED - 2 x 20 W - 119° - 119° (2 sides) - 3000K - 1-10V - Dark Grey	4624 lm
VK-10011-EW-EW-W40-DI-02	VEKTER 4 - VK-10011 - 2 x 12 LED - 2 x 20 W - 119° - 119° (2 sides) - 4000K - 1-10V - Dark Grey	4946 lm
VK-10011-EW-EW-W30-ND-05	VEKTER 4 - VK-10011 - 2 x 12 LED - 2 x 20 W - 119° - 119° (2 sides) - 3000K - On/Off - Matt Silver	4624 lm
VK-10011-EW-EW-W40-ND-05	VEKTER 4 - VK-10011 - 2 x 12 LED - 2 x 20 W - 119° - 119° (2 sides) - 4000K - On/Off - Matt Silver	4946 lm
VK-10011-EW-EW-W30-ND-06	VEKTER 4 - VK-10011 - 2 x 12 LED - 2 x 20 W - 119° - 119° (2 sides) - 3000K - On/Off - Bronze	4624 lm
VK-10011-EW-EW-W40-ND-06	VEKTER 4 - VK-10011 - 2 x 12 LED - 2 x 20 W - 119° - 119° (2 sides) - 4000K - On/Off - Bronze	4946 lm
VK-10011-EW-EW-W30-DI-05	VEKTER 4 - VK-10011 - 2 x 12 LED - 2 x 20 W - 119° - 119° (2 sides) - 3000K - 1-10V - Matt Silver	4624 lm
VK-10011-EW-EW-W40-DI-05	VEKTER 4 - VK-10011 - 2 x 12 LED - 2 x 20 W - 119° - 119° (2 sides) - 4000K - 1-10V - Matt Silver	4946 lm
VK-10011-EW-EW-W30-DA-06	VEKTER 4 - VK-10011 - 2 x 12 LED - 2 x 20 W - 119° - 119° (2 sides) - 3000K - DALI - Bronze	4624 lm
VK-10011-EW-EW-W40-DA-06	VEKTER 4 - VK-10011 - 2 x 12 LED - 2 x 20 W - 119° - 119° (2 sides) - 4000K - DALI - Bronze	4946 lm
VK-10011-EW-EW-W30-DI-01	VEKTER 4 - VK-10011 - 2 x 12 LED - 2 x 20 W - 119° - 119° (2 sides) - 3000K - 1-10V - Black	4624 lm
VK-10011-EW-EW-W40-DI-01	VEKTER 4 - VK-10011 - 2 x 12 LED - 2 x 20 W - 119° - 119° (2 sides) - 4000K - 1-10V - Black	4946 lm
VK-10011-EW-EW-W30-DI-03	VEKTER 4 - VK-10011 - 2 x 12 LED - 2 x 20 W - 119° - 119° (2 sides) - 3000K - 1-10V - White	4624 lm
VK-10011-EW-EW-W40-DI-03	VEKTER 4 - VK-10011 - 2 x 12 LED - 2 x 20 W - 119° - 119° (2 sides) - 4000K - 1-10V - White	4946 lm
VK-10011-EW-EW-W30-DA-02	VEKTER 4 - VK-10011 - 2 x 12 LED - 2 x 20 W - 119° - 119° (2 sides) - 3000K - DALI - Dark Grey	4624 lm
VK-10011-EW-EW-W40-DA-02	VEKTER 4 - VK-10011 - 2 x 12 LED - 2 x 20 W - 119° - 119° (2 sides) - 4000K - DALI - Dark Grey	4946 lm
VK-10011-EW-EW-W30-DI-06	VEKTER 4 - VK-10011 - 2 x 12 LED - 2 x 20 W - 119° - 119° (2 sides) - 3000K - 1-10V - Bronze	4624 lm
VK-10011-EW-EW-W40-DI-06	VEKTER 4 - VK-10011 - 2 x 12 LED - 2 x 20 W - 119° - 119° (2 sides) - 4000K - 1-10V - Bronze	4946 lm
VK-10011-EW-EW-W30-DA-03	VEKTER 4 - VK-10011 - 2 x 12 LED - 2 x 20 W - 119° - 119° (2 sides) - 3000K - DALI - White	4624 lm
VK-10011-EW-EW-W40-DA-03	VEKTER 4 - VK-10011 - 2 x 12 LED - 2 x 20 W - 119° - 119° (2 sides) - 4000K - DALI - White	4946 lm
VK-10011-EW-EW-W30-DA-05	VEKTER 4 - VK-10011 - 2 x 12 LED - 2 x 20 W - 119° - 119° (2 sides) - 3000K - DALI - Matt Silver	4624 lm
VK-10011-EW-EW-W40-DA-05	VEKTER 4 - VK-10011 - 2 x 12 LED - 2 x 20 W - 119° - 119° (2 sides) - 4000K - DALI - Matt Silver	4946 lm
VK-10011-EW-EW-W30-ND-03	VEKTER 4 - VK-10011 - 2 x 12 LED - 2 x 20 W - 119° - 119° (2 sides) - 3000K - On/Off - White	4624 lm
VK-10011-EW-EW-W40-ND-03	VEKTER 4 - VK-10011 - 2 x 12 LED - 2 x 20 W - 119° - 119° (2 sides) - 4000K - On/Off - White	4946 lm
VK-10011-EW-EW-W30-ND-01	VEKTER 4 - VK-10011 - 2 x 12 LED - 2 x 20 W - 119° - 119° (2 sides) - 3000K - On/Off - Black	4624 lm
VK-10011-EW-EW-W40-ND-01	VEKTER 4 - VK-10011 - 2 x 12 LED - 2 x 20 W - 119° - 119° (2 sides) - 4000K - On/Off - Black	4946 lm
VK-10011-M-T3-W40-DI-03	VEKTER 4 - VK-10011 - 2 x 12 LED - 2 x 20 W - 31° - 139°x68° (2 sides) - 4000K - 1-10V - White	4892 lm
VK-10011-M-T3-W30-DI-03	VEKTER 4 - VK-10011 - 2 x 12 LED - 2 x 20 W - 31° - 139°x68° (2 sides) - 3000K - 1-10V - White	4572 lm
VK-10011-M-T3-W40-DA-06	VEKTER 4 - VK-10011 - 2 x 12 LED - 2 x 20 W - 31° - 139°x68° (2 sides) - 4000K - DALI - Bronze	4892 lm
VK-10011-M-T3-W30-DA-06	VEKTER 4 - VK-10011 - 2 x 12 LED - 2 x 20 W - 31° - 139°x68° (2 sides) - 3000K - DALI - Bronze	4572 lm



**VEKTER 4 (VK-10011)**

VK-10011-M-T3-W40-ND-06	VEKTER 4 - VK-10011 - 2 x 12 LED - 2 x 20 W - 31° - 139°x68° (2 sides) - 4000K - On/Off - Bronze	4892 lm
VK-10011-M-T3-W30-ND-06	VEKTER 4 - VK-10011 - 2 x 12 LED - 2 x 20 W - 31° - 139°x68° (2 sides) - 3000K - On/Off - Bronze	4572 lm
VK-10011-M-T3-W40-DI-02	VEKTER 4 - VK-10011 - 2 x 12 LED - 2 x 20 W - 31° - 139°x68° (2 sides) - 4000K - 1-10V - Dark Grey	4892 lm
VK-10011-M-T3-W30-DI-02	VEKTER 4 - VK-10011 - 2 x 12 LED - 2 x 20 W - 31° - 139°x68° (2 sides) - 3000K - 1-10V - Dark Grey	4572 lm
VK-10011-M-T3-W40-DA-01	VEKTER 4 - VK-10011 - 2 x 12 LED - 2 x 20 W - 31° - 139°x68° (2 sides) - 4000K - DALI - Black	4892 lm
VK-10011-M-T3-W30-DA-01	VEKTER 4 - VK-10011 - 2 x 12 LED - 2 x 20 W - 31° - 139°x68° (2 sides) - 3000K - DALI - Black	4572 lm
VK-10011-M-T3-W40-ND-02	VEKTER 4 - VK-10011 - 2 x 12 LED - 2 x 20 W - 31° - 139°x68° (2 sides) - 4000K - On/Off - Dark Grey	4892 lm
VK-10011-M-T3-W30-ND-02	VEKTER 4 - VK-10011 - 2 x 12 LED - 2 x 20 W - 31° - 139°x68° (2 sides) - 3000K - On/Off - Dark Grey	4572 lm
VK-10011-M-T3-W40-DA-05	VEKTER 4 - VK-10011 - 2 x 12 LED - 2 x 20 W - 31° - 139°x68° (2 sides) - 4000K - DALI - Matt Silver	4892 lm
VK-10011-M-T3-W30-DA-05	VEKTER 4 - VK-10011 - 2 x 12 LED - 2 x 20 W - 31° - 139°x68° (2 sides) - 3000K - DALI - Matt Silver	4572 lm
VK-10011-M-T3-W40-DA-03	VEKTER 4 - VK-10011 - 2 x 12 LED - 2 x 20 W - 31° - 139°x68° (2 sides) - 4000K - DALI - White	4892 lm
VK-10011-M-T3-W30-DA-03	VEKTER 4 - VK-10011 - 2 x 12 LED - 2 x 20 W - 31° - 139°x68° (2 sides) - 3000K - DALI - White	4572 lm
VK-10011-M-T3-W40-ND-05	VEKTER 4 - VK-10011 - 2 x 12 LED - 2 x 20 W - 31° - 139°x68° (2 sides) - 4000K - On/Off - Matt Silver	4892 lm
VK-10011-M-T3-W30-ND-05	VEKTER 4 - VK-10011 - 2 x 12 LED - 2 x 20 W - 31° - 139°x68° (2 sides) - 3000K - On/Off - Matt Silver	4572 lm
VK-10011-M-T3-W40-ND-01	VEKTER 4 - VK-10011 - 2 x 12 LED - 2 x 20 W - 31° - 139°x68° (2 sides) - 4000K - On/Off - Black	4892 lm
VK-10011-M-T3-W30-ND-01	VEKTER 4 - VK-10011 - 2 x 12 LED - 2 x 20 W - 31° - 139°x68° (2 sides) - 3000K - On/Off - Black	4572 lm
VK-10011-M-T3-W40-DI-01	VEKTER 4 - VK-10011 - 2 x 12 LED - 2 x 20 W - 31° - 139°x68° (2 sides) - 4000K - 1-10V - Black	4892 lm
VK-10011-M-T3-W30-DI-01	VEKTER 4 - VK-10011 - 2 x 12 LED - 2 x 20 W - 31° - 139°x68° (2 sides) - 3000K - 1-10V - Black	4572 lm
VK-10011-M-T3-W40-DI-05	VEKTER 4 - VK-10011 - 2 x 12 LED - 2 x 20 W - 31° - 139°x68° (2 sides) - 4000K - 1-10V - Matt Silver	4892 lm
VK-10011-M-T3-W30-DI-05	VEKTER 4 - VK-10011 - 2 x 12 LED - 2 x 20 W - 31° - 139°x68° (2 sides) - 3000K - 1-10V - Matt Silver	4572 lm
VK-10011-M-T3-W40-DA-02	VEKTER 4 - VK-10011 - 2 x 12 LED - 2 x 20 W - 31° - 139°x68° (2 sides) - 4000K - DALI - Dark Grey	4892 lm
VK-10011-M-T3-W30-DA-02	VEKTER 4 - VK-10011 - 2 x 12 LED - 2 x 20 W - 31° - 139°x68° (2 sides) - 3000K - DALI - Dark Grey	4572 lm
VK-10011-M-T3-W40-ND-03	VEKTER 4 - VK-10011 - 2 x 12 LED - 2 x 20 W - 31° - 139°x68° (2 sides) - 4000K - On/Off - White	4892 lm
VK-10011-M-T3-W30-ND-03	VEKTER 4 - VK-10011 - 2 x 12 LED - 2 x 20 W - 31° - 139°x68° (2 sides) - 3000K - On/Off - White	4572 lm
VK-10011-M-T3-W40-DI-06	VEKTER 4 - VK-10011 - 2 x 12 LED - 2 x 20 W - 31° - 139°x68° (2 sides) - 4000K - 1-10V - Bronze	4892 lm
VK-10011-M-T3-W30-DI-06	VEKTER 4 - VK-10011 - 2 x 12 LED - 2 x 20 W - 31° - 139°x68° (2 sides) - 3000K - 1-10V - Bronze	4572 lm
VK-10011-T2-T4-W40-DA-06	VEKTER 4 - VK-10011 - 2 x 12 LED - 2 x 20 W - 144°x50° - 97°x77° (2 sides) - 4000K - DALI - Bronze	4620 lm
VK-10011-T2-T4-W30-DA-06	VEKTER 4 - VK-10011 - 2 x 12 LED - 2 x 20 W - 144°x50° - 97°x77° (2 sides) - 3000K - DALI - Bronze	4318 lm
VK-10011-T2-T4-W40-DI-05	VEKTER 4 - VK-10011 - 2 x 12 LED - 2 x 20 W - 144°x50° - 97°x77° (2 sides) - 4000K - 1-10V - Matt Silver	4620 lm
VK-10011-T2-T4-W30-DI-05	VEKTER 4 - VK-10011 - 2 x 12 LED - 2 x 20 W - 144°x50° - 97°x77° (2 sides) - 3000K - 1-10V - Matt Silver	4318 lm
VK-10011-T2-T4-W40-ND-01	VEKTER 4 - VK-10011 - 2 x 12 LED - 2 x 20 W - 144°x50° - 97°x77° (2 sides) - 4000K - On/Off - Black	4620 lm
VK-10011-T2-T4-W30-ND-01	VEKTER 4 - VK-10011 - 2 x 12 LED - 2 x 20 W - 144°x50° - 97°x77° (2 sides) - 3000K - On/Off - Black	4318 lm
VK-10011-T2-T4-W40-ND-06	VEKTER 4 - VK-10011 - 2 x 12 LED - 2 x 20 W - 144°x50° - 97°x77° (2 sides) - 4000K - On/Off - Bronze	4620 lm
VK-10011-T2-T4-W30-ND-06	VEKTER 4 - VK-10011 - 2 x 12 LED - 2 x 20 W - 144°x50° - 97°x77° (2 sides) - 3000K - On/Off - Bronze	4318 lm
VK-10011-T2-T4-W40-DA-05	VEKTER 4 - VK-10011 - 2 x 12 LED - 2 x 20 W - 144°x50° - 97°x77° (2 sides) - 4000K - DALI - Matt Silver	4620 lm
VK-10011-T2-T4-W30-DA-05	VEKTER 4 - VK-10011 - 2 x 12 LED - 2 x 20 W - 144°x50° - 97°x77° (2 sides) - 3000K - DALI - Matt Silver	4318 lm
VK-10011-T2-T4-W40-DA-01	VEKTER 4 - VK-10011 - 2 x 12 LED - 2 x 20 W - 144°x50° - 97°x77° (2 sides) - 4000K - DALI - Black	4620 lm
VK-10011-T2-T4-W30-DA-01	VEKTER 4 - VK-10011 - 2 x 12 LED - 2 x 20 W - 144°x50° - 97°x77° (2 sides) - 3000K - DALI - Black	4318 lm
VK-10011-T2-T4-W40-DI-01	VEKTER 4 - VK-10011 - 2 x 12 LED - 2 x 20 W - 144°x50° - 97°x77° (2 sides) - 4000K - 1-10V - Black	4620 lm
VK-10011-T2-T4-W30-DI-01	VEKTER 4 - VK-10011 - 2 x 12 LED - 2 x 20 W - 144°x50° - 97°x77° (2 sides) - 3000K - 1-10V - Black	4318 lm
VK-10011-T2-T4-W40-ND-02	VEKTER 4 - VK-10011 - 2 x 12 LED - 2 x 20 W - 144°x50° - 97°x77° (2 sides) - 4000K - On/Off - Dark Grey	4620 lm
VK-10011-T2-T4-W30-ND-02	VEKTER 4 - VK-10011 - 2 x 12 LED - 2 x 20 W - 144°x50° - 97°x77° (2 sides) - 3000K - On/Off - Dark Grey	4318 lm
VK-10011-T2-T4-W40-DI-03	VEKTER 4 - VK-10011 - 2 x 12 LED - 2 x 20 W - 144°x50° - 97°x77° (2 sides) - 4000K - 1-10V - White	4620 lm
VK-10011-T2-T4-W30-DI-03	VEKTER 4 - VK-10011 - 2 x 12 LED - 2 x 20 W - 144°x50° - 97°x77° (2 sides) - 3000K - 1-10V - White	4318 lm
VK-10011-T2-T4-W40-DA-02	VEKTER 4 - VK-10011 - 2 x 12 LED - 2 x 20 W - 144°x50° - 97°x77° (2 sides) - 4000K - DALI - Dark Grey	4620 lm
VK-10011-T2-T4-W30-DA-02	VEKTER 4 - VK-10011 - 2 x 12 LED - 2 x 20 W - 144°x50° - 97°x77° (2 sides) - 3000K - DALI - Dark Grey	4318 lm
VK-10011-T2-T4-W40-ND-05	VEKTER 4 - VK-10011 - 2 x 12 LED - 2 x 20 W - 144°x50° - 97°x77° (2 sides) - 4000K - On/Off - Matt Silver	4620 lm
VK-10011-T2-T4-W30-ND-05	VEKTER 4 - VK-10011 - 2 x 12 LED - 2 x 20 W - 144°x50° - 97°x77° (2 sides) - 3000K - On/Off - Matt Silver	4318 lm
VK-10011-T2-T4-W40-DI-02	VEKTER 4 - VK-10011 - 2 x 12 LED - 2 x 20 W - 144°x50° - 97°x77° (2 sides) - 4000K - 1-10V - Dark Grey	4620 lm
VK-10011-T2-T4-W30-DI-02	VEKTER 4 - VK-10011 - 2 x 12 LED - 2 x 20 W - 144°x50° - 97°x77° (2 sides) - 3000K - 1-10V - Dark Grey	4318 lm
VK-10011-T2-T4-W40-ND-03	VEKTER 4 - VK-10011 - 2 x 12 LED - 2 x 20 W - 144°x50° - 97°x77° (2 sides) - 4000K - On/Off - White	4620 lm
VK-10011-T2-T4-W30-ND-03	VEKTER 4 - VK-10011 - 2 x 12 LED - 2 x 20 W - 144°x50° - 97°x77° (2 sides) - 3000K - On/Off - White	4318 lm
VK-10011-T2-T4-W40-DA-03	VEKTER 4 - VK-10011 - 2 x 12 LED - 2 x 20 W - 144°x50° - 97°x77° (2 sides) - 4000K - DALI - White	4620 lm
VK-10011-T2-T4-W30-DA-03	VEKTER 4 - VK-10011 - 2 x 12 LED - 2 x 20 W - 144°x50° - 97°x77° (2 sides) - 3000K - DALI - White	4318 lm
VK-10011-T2-T4-W40-DI-06	VEKTER 4 - VK-10011 - 2 x 12 LED - 2 x 20 W - 144°x50° - 97°x77° (2 sides) - 4000K - 1-10V - Bronze	4620 lm
VK-10011-T2-T4-W30-DI-06	VEKTER 4 - VK-10011 - 2 x 12 LED - 2 x 20 W - 144°x50° - 97°x77° (2 sides) - 3000K - 1-10V - Bronze	4318 lm
VK-10011-T3-T3-W40-DI-06	VEKTER 4 - VK-10011 - 2 x 12 LED - 2 x 20 W - 139°x68° - 139°x68° (2 sides) - 4000K - 1-10V - Bronze	4596 lm
VK-10011-T3-T3-W30-DI-06	VEKTER 4 - VK-10011 - 2 x 12 LED - 2 x 20 W - 139°x68° - 139°x68° (2 sides) - 3000K - 1-10V - Bronze	4296 lm
VK-10011-T3-T3-W40-ND-03	VEKTER 4 - VK-10011 - 2 x 12 LED - 2 x 20 W - 139°x68° - 139°x68° (2 sides) - 4000K - On/Off - White	4596 lm

**VEKTER 4 (VK-10011)**

<b>VK-10011-T3-T3-W30-ND-03</b>	VEKTER 4 - VK-10011 - 2 x 12 LED - 2 x 20 W - 139°x68° - 139°x68° (2 sides) - 3000K - On/Off - White	4296 lm
<b>VK-10011-T3-T3-W40-DI-02</b>	VEKTER 4 - VK-10011 - 2 x 12 LED - 2 x 20 W - 139°x68° - 139°x68° (2 sides) - 4000K - 1-10V - Dark Grey	4596 lm
<b>VK-10011-T3-T3-W30-DI-02</b>	VEKTER 4 - VK-10011 - 2 x 12 LED - 2 x 20 W - 139°x68° - 139°x68° (2 sides) - 3000K - 1-10V - Dark Grey	4296 lm
<b>VK-10011-T3-T3-W40-DA-01</b>	VEKTER 4 - VK-10011 - 2 x 12 LED - 2 x 20 W - 139°x68° - 139°x68° (2 sides) - 4000K - DALI - Black	4596 lm
<b>VK-10011-T3-T3-W30-DA-01</b>	VEKTER 4 - VK-10011 - 2 x 12 LED - 2 x 20 W - 139°x68° - 139°x68° (2 sides) - 3000K - DALI - Black	4296 lm
<b>VK-10011-T3-T3-W40-DA-02</b>	VEKTER 4 - VK-10011 - 2 x 12 LED - 2 x 20 W - 139°x68° - 139°x68° (2 sides) - 4000K - DALI - Dark Grey	4596 lm
<b>VK-10011-T3-T3-W30-DA-02</b>	VEKTER 4 - VK-10011 - 2 x 12 LED - 2 x 20 W - 139°x68° - 139°x68° (2 sides) - 3000K - DALI - Dark Grey	4296 lm
<b>VK-10011-T3-T3-W40-DA-05</b>	VEKTER 4 - VK-10011 - 2 x 12 LED - 2 x 20 W - 139°x68° - 139°x68° (2 sides) - 4000K - DALI - Matt Silver	4596 lm
<b>VK-10011-T3-T3-W30-DA-05</b>	VEKTER 4 - VK-10011 - 2 x 12 LED - 2 x 20 W - 139°x68° - 139°x68° (2 sides) - 3000K - DALI - Matt Silver	4296 lm
<b>VK-10011-T3-T3-W40-DI-03</b>	VEKTER 4 - VK-10011 - 2 x 12 LED - 2 x 20 W - 139°x68° - 139°x68° (2 sides) - 4000K - 1-10V - White	4596 lm
<b>VK-10011-T3-T3-W30-DI-03</b>	VEKTER 4 - VK-10011 - 2 x 12 LED - 2 x 20 W - 139°x68° - 139°x68° (2 sides) - 3000K - 1-10V - White	4296 lm
<b>VK-10011-T3-T3-W40-ND-02</b>	VEKTER 4 - VK-10011 - 2 x 12 LED - 2 x 20 W - 139°x68° - 139°x68° (2 sides) - 4000K - On/Off - Dark Grey	4596 lm
<b>VK-10011-T3-T3-W30-ND-02</b>	VEKTER 4 - VK-10011 - 2 x 12 LED - 2 x 20 W - 139°x68° - 139°x68° (2 sides) - 3000K - On/Off - Dark Grey	4296 lm
<b>VK-10011-T3-T3-W40-ND-06</b>	VEKTER 4 - VK-10011 - 2 x 12 LED - 2 x 20 W - 139°x68° - 139°x68° (2 sides) - 4000K - On/Off - Bronze	4596 lm
<b>VK-10011-T3-T3-W30-ND-06</b>	VEKTER 4 - VK-10011 - 2 x 12 LED - 2 x 20 W - 139°x68° - 139°x68° (2 sides) - 3000K - On/Off - Bronze	4296 lm
<b>VK-10011-T3-T3-W40-ND-01</b>	VEKTER 4 - VK-10011 - 2 x 12 LED - 2 x 20 W - 139°x68° - 139°x68° (2 sides) - 4000K - On/Off - Black	4596 lm
<b>VK-10011-T3-T3-W30-ND-01</b>	VEKTER 4 - VK-10011 - 2 x 12 LED - 2 x 20 W - 139°x68° - 139°x68° (2 sides) - 3000K - On/Off - Black	4296 lm
<b>VK-10011-T3-T3-W40-DI-05</b>	VEKTER 4 - VK-10011 - 2 x 12 LED - 2 x 20 W - 139°x68° - 139°x68° (2 sides) - 4000K - 1-10V - Matt Silver	4596 lm
<b>VK-10011-T3-T3-W30-DI-05</b>	VEKTER 4 - VK-10011 - 2 x 12 LED - 2 x 20 W - 139°x68° - 139°x68° (2 sides) - 3000K - 1-10V - Matt Silver	4296 lm
<b>VK-10011-T3-T3-W40-ND-05</b>	VEKTER 4 - VK-10011 - 2 x 12 LED - 2 x 20 W - 139°x68° - 139°x68° (2 sides) - 4000K - On/Off - Matt Silver	4596 lm
<b>VK-10011-T3-T3-W30-ND-05</b>	VEKTER 4 - VK-10011 - 2 x 12 LED - 2 x 20 W - 139°x68° - 139°x68° (2 sides) - 3000K - On/Off - Matt Silver	4296 lm
<b>VK-10011-T3-T3-W40-DI-01</b>	VEKTER 4 - VK-10011 - 2 x 12 LED - 2 x 20 W - 139°x68° - 139°x68° (2 sides) - 4000K - 1-10V - Black	4596 lm
<b>VK-10011-T3-T3-W30-DI-01</b>	VEKTER 4 - VK-10011 - 2 x 12 LED - 2 x 20 W - 139°x68° - 139°x68° (2 sides) - 3000K - 1-10V - Black	4296 lm
<b>VK-10011-T3-T3-W40-DA-06</b>	VEKTER 4 - VK-10011 - 2 x 12 LED - 2 x 20 W - 139°x68° - 139°x68° (2 sides) - 4000K - DALI - Bronze	4596 lm
<b>VK-10011-T3-T3-W30-DA-06</b>	VEKTER 4 - VK-10011 - 2 x 12 LED - 2 x 20 W - 139°x68° - 139°x68° (2 sides) - 3000K - DALI - Bronze	4296 lm
<b>VK-10011-T3-T3-W40-DA-03</b>	VEKTER 4 - VK-10011 - 2 x 12 LED - 2 x 20 W - 139°x68° - 139°x68° (2 sides) - 4000K - DALI - White	4596 lm
<b>VK-10011-T3-T3-W30-DA-03</b>	VEKTER 4 - VK-10011 - 2 x 12 LED - 2 x 20 W - 139°x68° - 139°x68° (2 sides) - 3000K - DALI - White	4296 lm
<b>VK-10011-T4-T4-W40-DA-01</b>	VEKTER 4 - VK-10011 - 2 x 12 LED - 2 x 20 W - 97°x77° - 97°x77° (2 sides) - 3000K - DALI - Black	4306 lm
<b>VK-10011-T4-T4-W40-DA-01</b>	VEKTER 4 - VK-10011 - 2 x 12 LED - 2 x 20 W - 97°x77° - 97°x77° (2 sides) - 4000K - DALI - Black	4606 lm
<b>VK-10011-T4-T4-W30-ND-05</b>	VEKTER 4 - VK-10011 - 2 x 12 LED - 2 x 20 W - 97°x77° - 97°x77° (2 sides) - 3000K - On/Off - Matt Silver	4306 lm
<b>VK-10011-T4-T4-W40-ND-05</b>	VEKTER 4 - VK-10011 - 2 x 12 LED - 2 x 20 W - 97°x77° - 97°x77° (2 sides) - 4000K - On/Off - Matt Silver	4606 lm
<b>VK-10011-T4-T4-W30-ND-02</b>	VEKTER 4 - VK-10011 - 2 x 12 LED - 2 x 20 W - 97°x77° - 97°x77° (2 sides) - 3000K - On/Off - Dark Grey	4306 lm
<b>VK-10011-T4-T4-W40-ND-02</b>	VEKTER 4 - VK-10011 - 2 x 12 LED - 2 x 20 W - 97°x77° - 97°x77° (2 sides) - 4000K - On/Off - Dark Grey	4606 lm
<b>VK-10011-T4-T4-W30-DI-06</b>	VEKTER 4 - VK-10011 - 2 x 12 LED - 2 x 20 W - 97°x77° - 97°x77° (2 sides) - 3000K - 1-10V - Bronze	4306 lm
<b>VK-10011-T4-T4-W40-DI-06</b>	VEKTER 4 - VK-10011 - 2 x 12 LED - 2 x 20 W - 97°x77° - 97°x77° (2 sides) - 4000K - 1-10V - Bronze	4606 lm
<b>VK-10011-T4-T4-W30-DI-02</b>	VEKTER 4 - VK-10011 - 2 x 12 LED - 2 x 20 W - 97°x77° - 97°x77° (2 sides) - 3000K - 1-10V - Dark Grey	4306 lm
<b>VK-10011-T4-T4-W40-DI-02</b>	VEKTER 4 - VK-10011 - 2 x 12 LED - 2 x 20 W - 97°x77° - 97°x77° (2 sides) - 4000K - 1-10V - Dark Grey	4606 lm
<b>VK-10011-T4-T4-W30-DA-03</b>	VEKTER 4 - VK-10011 - 2 x 12 LED - 2 x 20 W - 97°x77° - 97°x77° (2 sides) - 3000K - DALI - White	4306 lm
<b>VK-10011-T4-T4-W40-DA-03</b>	VEKTER 4 - VK-10011 - 2 x 12 LED - 2 x 20 W - 97°x77° - 97°x77° (2 sides) - 4000K - DALI - White	4606 lm
<b>VK-10011-T4-T4-W30-DA-02</b>	VEKTER 4 - VK-10011 - 2 x 12 LED - 2 x 20 W - 97°x77° - 97°x77° (2 sides) - 3000K - DALI - Dark Grey	4306 lm
<b>VK-10011-T4-T4-W40-DA-02</b>	VEKTER 4 - VK-10011 - 2 x 12 LED - 2 x 20 W - 97°x77° - 97°x77° (2 sides) - 4000K - DALI - Dark Grey	4606 lm
<b>VK-10011-T4-T4-W30-DI-03</b>	VEKTER 4 - VK-10011 - 2 x 12 LED - 2 x 20 W - 97°x77° - 97°x77° (2 sides) - 3000K - 1-10V - White	4306 lm
<b>VK-10011-T4-T4-W40-DI-03</b>	VEKTER 4 - VK-10011 - 2 x 12 LED - 2 x 20 W - 97°x77° - 97°x77° (2 sides) - 4000K - 1-10V - White	4606 lm
<b>VK-10011-T4-T4-W30-DI-05</b>	VEKTER 4 - VK-10011 - 2 x 12 LED - 2 x 20 W - 97°x77° - 97°x77° (2 sides) - 3000K - 1-10V - Matt Silver	4306 lm
<b>VK-10011-T4-T4-W40-DI-05</b>	VEKTER 4 - VK-10011 - 2 x 12 LED - 2 x 20 W - 97°x77° - 97°x77° (2 sides) - 4000K - 1-10V - Matt Silver	4606 lm
<b>VK-10011-T4-T4-W30-DA-06</b>	VEKTER 4 - VK-10011 - 2 x 12 LED - 2 x 20 W - 97°x77° - 97°x77° (2 sides) - 3000K - DALI - Bronze	4306 lm
<b>VK-10011-T4-T4-W40-DA-06</b>	VEKTER 4 - VK-10011 - 2 x 12 LED - 2 x 20 W - 97°x77° - 97°x77° (2 sides) - 4000K - DALI - Bronze	4606 lm
<b>VK-10011-T4-T4-W30-ND-03</b>	VEKTER 4 - VK-10011 - 2 x 12 LED - 2 x 20 W - 97°x77° - 97°x77° (2 sides) - 3000K - On/Off - White	4306 lm
<b>VK-10011-T4-T4-W40-ND-03</b>	VEKTER 4 - VK-10011 - 2 x 12 LED - 2 x 20 W - 97°x77° - 97°x77° (2 sides) - 4000K - On/Off - White	4606 lm
<b>VK-10011-T4-T4-W30-DA-05</b>	VEKTER 4 - VK-10011 - 2 x 12 LED - 2 x 20 W - 97°x77° - 97°x77° (2 sides) - 3000K - DALI - Matt Silver	4306 lm
<b>VK-10011-T4-T4-W40-DA-05</b>	VEKTER 4 - VK-10011 - 2 x 12 LED - 2 x 20 W - 97°x77° - 97°x77° (2 sides) - 4000K - DALI - Matt Silver	4606 lm
<b>VK-10011-T4-T4-W30-DI-01</b>	VEKTER 4 - VK-10011 - 2 x 12 LED - 2 x 20 W - 97°x77° - 97°x77° (2 sides) - 3000K - 1-10V - Black	4306 lm
<b>VK-10011-T4-T4-W40-DI-01</b>	VEKTER 4 - VK-10011 - 2 x 12 LED - 2 x 20 W - 97°x77° - 97°x77° (2 sides) - 4000K - 1-10V - Black	4606 lm

**VEKTER 4 (VK-10011)**

VK-10011-T4-T4-W30-ND-01	VEKTER 4 - VK-10011 - 2 x 12 LED - 2 x 20 W - 97°x77° - 97°x77° (2 sides) - 3000K - On/Off - Black	4306 lm
VK-10011-T4-T4-W40-ND-01	VEKTER 4 - VK-10011 - 2 x 12 LED - 2 x 20 W - 97°x77° - 97°x77° (2 sides) - 4000K - On/Off - Black	4606 lm
VK-10011-T4-T4-W30-ND-06	VEKTER 4 - VK-10011 - 2 x 12 LED - 2 x 20 W - 97°x77° - 97°x77° (2 sides) - 3000K - On/Off - Bronze	4306 lm
VK-10011-T4-T4-W40-ND-06	VEKTER 4 - VK-10011 - 2 x 12 LED - 2 x 20 W - 97°x77° - 97°x77° (2 sides) - 4000K - On/Off - Bronze	4606 lm
VK-10011-W-T3-W30-DA-03	VEKTER 4 - VK-10011 - 2 x 12 LED - 2 x 20 W - 53° - 139°x68° (2 sides) - 3000K - DALI - White	4598 lm
VK-10011-W-T3-W40-DA-03	VEKTER 4 - VK-10011 - 2 x 12 LED - 2 x 20 W - 53° - 139°x68° (2 sides) - 4000K - DALI - White	4920 lm
VK-10011-W-T3-W30-ND-02	VEKTER 4 - VK-10011 - 2 x 12 LED - 2 x 20 W - 53° - 139°x68° (2 sides) - 3000K - On/Off - Dark Grey	4598 lm
VK-10011-W-T3-W40-ND-02	VEKTER 4 - VK-10011 - 2 x 12 LED - 2 x 20 W - 53° - 139°x68° (2 sides) - 4000K - On/Off - Dark Grey	4920 lm
VK-10011-W-T3-W30-DA-01	VEKTER 4 - VK-10011 - 2 x 12 LED - 2 x 20 W - 53° - 139°x68° (2 sides) - 3000K - DALI - Black	4598 lm
VK-10011-W-T3-W40-DA-01	VEKTER 4 - VK-10011 - 2 x 12 LED - 2 x 20 W - 53° - 139°x68° (2 sides) - 4000K - DALI - Black	4920 lm
VK-10011-W-T3-W30-DI-05	VEKTER 4 - VK-10011 - 2 x 12 LED - 2 x 20 W - 53° - 139°x68° (2 sides) - 3000K - 1-10V - Matt Silver	4598 lm
VK-10011-W-T3-W40-DI-05	VEKTER 4 - VK-10011 - 2 x 12 LED - 2 x 20 W - 53° - 139°x68° (2 sides) - 4000K - 1-10V - Matt Silver	4920 lm
VK-10011-W-T3-W30-ND-01	VEKTER 4 - VK-10011 - 2 x 12 LED - 2 x 20 W - 53° - 139°x68° (2 sides) - 3000K - On/Off - Black	4598 lm
VK-10011-W-T3-W40-ND-01	VEKTER 4 - VK-10011 - 2 x 12 LED - 2 x 20 W - 53° - 139°x68° (2 sides) - 4000K - On/Off - Black	4920 lm
VK-10011-W-T3-W30-DA-06	VEKTER 4 - VK-10011 - 2 x 12 LED - 2 x 20 W - 53° - 139°x68° (2 sides) - 3000K - DALI - Bronze	4598 lm
VK-10011-W-T3-W40-DA-06	VEKTER 4 - VK-10011 - 2 x 12 LED - 2 x 20 W - 53° - 139°x68° (2 sides) - 4000K - DALI - Bronze	4920 lm
VK-10011-W-T3-W30-ND-05	VEKTER 4 - VK-10011 - 2 x 12 LED - 2 x 20 W - 53° - 139°x68° (2 sides) - 3000K - On/Off - Matt Silver	4598 lm
VK-10011-W-T3-W40-ND-05	VEKTER 4 - VK-10011 - 2 x 12 LED - 2 x 20 W - 53° - 139°x68° (2 sides) - 4000K - On/Off - Matt Silver	4920 lm
VK-10011-W-T3-W30-ND-03	VEKTER 4 - VK-10011 - 2 x 12 LED - 2 x 20 W - 53° - 139°x68° (2 sides) - 3000K - On/Off - White	4598 lm
VK-10011-W-T3-W40-ND-03	VEKTER 4 - VK-10011 - 2 x 12 LED - 2 x 20 W - 53° - 139°x68° (2 sides) - 4000K - On/Off - White	4920 lm
VK-10011-W-T3-W30-DA-05	VEKTER 4 - VK-10011 - 2 x 12 LED - 2 x 20 W - 53° - 139°x68° (2 sides) - 3000K - DALI - Matt Silver	4598 lm
VK-10011-W-T3-W40-DA-05	VEKTER 4 - VK-10011 - 2 x 12 LED - 2 x 20 W - 53° - 139°x68° (2 sides) - 4000K - DALI - Matt Silver	4920 lm
VK-10011-W-T3-W30-DI-03	VEKTER 4 - VK-10011 - 2 x 12 LED - 2 x 20 W - 53° - 139°x68° (2 sides) - 3000K - 1-10V - White	4598 lm
VK-10011-W-T3-W40-DI-03	VEKTER 4 - VK-10011 - 2 x 12 LED - 2 x 20 W - 53° - 139°x68° (2 sides) - 4000K - 1-10V - White	4920 lm
VK-10011-W-T3-W30-DI-02	VEKTER 4 - VK-10011 - 2 x 12 LED - 2 x 20 W - 53° - 139°x68° (2 sides) - 3000K - 1-10V - Dark Grey	4598 lm
VK-10011-W-T3-W40-DI-02	VEKTER 4 - VK-10011 - 2 x 12 LED - 2 x 20 W - 53° - 139°x68° (2 sides) - 4000K - 1-10V - Dark Grey	4920 lm
VK-10011-W-T3-W30-DI-01	VEKTER 4 - VK-10011 - 2 x 12 LED - 2 x 20 W - 53° - 139°x68° (2 sides) - 3000K - 1-10V - Black	4598 lm
VK-10011-W-T3-W40-DI-01	VEKTER 4 - VK-10011 - 2 x 12 LED - 2 x 20 W - 53° - 139°x68° (2 sides) - 4000K - 1-10V - Black	4920 lm
VK-10011-W-T3-W30-ND-06	VEKTER 4 - VK-10011 - 2 x 12 LED - 2 x 20 W - 53° - 139°x68° (2 sides) - 3000K - On/Off - Bronze	4598 lm
VK-10011-W-T3-W40-ND-06	VEKTER 4 - VK-10011 - 2 x 12 LED - 2 x 20 W - 53° - 139°x68° (2 sides) - 4000K - On/Off - Bronze	4920 lm
VK-10011-W-T3-W30-DA-02	VEKTER 4 - VK-10011 - 2 x 12 LED - 2 x 20 W - 53° - 139°x68° (2 sides) - 3000K - DALI - Dark Grey	4598 lm
VK-10011-W-T3-W40-DA-02	VEKTER 4 - VK-10011 - 2 x 12 LED - 2 x 20 W - 53° - 139°x68° (2 sides) - 4000K - DALI - Dark Grey	4920 lm
VK-10011-W-T3-W30-DI-06	VEKTER 4 - VK-10011 - 2 x 12 LED - 2 x 20 W - 53° - 139°x68° (2 sides) - 3000K - 1-10V - Bronze	4598 lm
VK-10011-W-T3-W40-DI-06	VEKTER 4 - VK-10011 - 2 x 12 LED - 2 x 20 W - 53° - 139°x68° (2 sides) - 4000K - 1-10V - Bronze	4920 lm
VK-10011-EW-T4-W30-DI-03	VEKTER 4 - VK-10011 - 2 x 12 LED - 2 x 20 W - 119° - 97°x77° (2 sides) - 3000K - 1-10V - White	4624 lm
VK-10011-EW-T4-W40-DI-03	VEKTER 4 - VK-10011 - 2 x 12 LED - 2 x 20 W - 119° - 97°x77° (2 sides) - 4000K - 1-10V - White	4946 lm
VK-10011-EW-T4-W30-DI-05	VEKTER 4 - VK-10011 - 2 x 12 LED - 2 x 20 W - 119° - 97°x77° (2 sides) - 3000K - 1-10V - Matt Silver	4624 lm
VK-10011-EW-T4-W40-DI-05	VEKTER 4 - VK-10011 - 2 x 12 LED - 2 x 20 W - 119° - 97°x77° (2 sides) - 4000K - 1-10V - Matt Silver	4946 lm
VK-10011-EW-T4-W30-DA-02	VEKTER 4 - VK-10011 - 2 x 12 LED - 2 x 20 W - 119° - 97°x77° (2 sides) - 3000K - DALI - Dark Grey	4624 lm
VK-10011-EW-T4-W40-DA-02	VEKTER 4 - VK-10011 - 2 x 12 LED - 2 x 20 W - 119° - 97°x77° (2 sides) - 4000K - DALI - Dark Grey	4946 lm
VK-10011-EW-T4-W30-DA-03	VEKTER 4 - VK-10011 - 2 x 12 LED - 2 x 20 W - 119° - 97°x77° (2 sides) - 3000K - DALI - White	4624 lm
VK-10011-EW-T4-W40-DA-03	VEKTER 4 - VK-10011 - 2 x 12 LED - 2 x 20 W - 119° - 97°x77° (2 sides) - 4000K - DALI - White	4946 lm
VK-10011-EW-T4-W30-ND-05	VEKTER 4 - VK-10011 - 2 x 12 LED - 2 x 20 W - 119° - 97°x77° (2 sides) - 3000K - On/Off - Matt Silver	4624 lm
VK-10011-EW-T4-W40-ND-05	VEKTER 4 - VK-10011 - 2 x 12 LED - 2 x 20 W - 119° - 97°x77° (2 sides) - 4000K - On/Off - Matt Silver	4946 lm
VK-10011-EW-T4-W30-DI-02	VEKTER 4 - VK-10011 - 2 x 12 LED - 2 x 20 W - 119° - 97°x77° (2 sides) - 3000K - 1-10V - Dark Grey	4624 lm
VK-10011-EW-T4-W40-DI-02	VEKTER 4 - VK-10011 - 2 x 12 LED - 2 x 20 W - 119° - 97°x77° (2 sides) - 4000K - 1-10V - Dark Grey	4946 lm
VK-10011-EW-T4-W30-ND-02	VEKTER 4 - VK-10011 - 2 x 12 LED - 2 x 20 W - 119° - 97°x77° (2 sides) - 3000K - On/Off - Dark Grey	4624 lm
VK-10011-EW-T4-W40-ND-02	VEKTER 4 - VK-10011 - 2 x 12 LED - 2 x 20 W - 119° - 97°x77° (2 sides) - 4000K - On/Off - Dark Grey	4946 lm
VK-10011-EW-T4-W30-DI-01	VEKTER 4 - VK-10011 - 2 x 12 LED - 2 x 20 W - 119° - 97°x77° (2 sides) - 3000K - 1-10V - Black	4624 lm
VK-10011-EW-T4-W40-DI-01	VEKTER 4 - VK-10011 - 2 x 12 LED - 2 x 20 W - 119° - 97°x77° (2 sides) - 4000K - 1-10V - Black	4946 lm
VK-10011-EW-T4-W30-DA-05	VEKTER 4 - VK-10011 - 2 x 12 LED - 2 x 20 W - 119° - 97°x77° (2 sides) - 3000K - DALI - Matt Silver	4624 lm
VK-10011-EW-T4-W40-DA-05	VEKTER 4 - VK-10011 - 2 x 12 LED - 2 x 20 W - 119° - 97°x77° (2 sides) - 4000K - DALI - Matt Silver	4946 lm
VK-10011-EW-T4-W30-ND-03	VEKTER 4 - VK-10011 - 2 x 12 LED - 2 x 20 W - 119° - 97°x77° (2 sides) - 3000K - On/Off - White	4624 lm
VK-10011-EW-T4-W40-ND-03	VEKTER 4 - VK-10011 - 2 x 12 LED - 2 x 20 W - 119° - 97°x77° (2 sides) - 4000K - On/Off - White	4946 lm
VK-10011-EW-T4-W30-ND-01	VEKTER 4 - VK-10011 - 2 x 12 LED - 2 x 20 W - 119° - 97°x77° (2 sides) - 3000K - On/Off - Black	4624 lm
VK-10011-EW-T4-W40-ND-01	VEKTER 4 - VK-10011 - 2 x 12 LED - 2 x 20 W - 119° - 97°x77° (2 sides) - 4000K - On/Off - Black	4946 lm
VK-10011-EW-T4-W30-DA-06	VEKTER 4 - VK-10011 - 2 x 12 LED - 2 x 20 W - 119° - 97°x77° (2 sides) - 3000K - DALI - Bronze	4624 lm
VK-10011-EW-T4-W40-DA-06	VEKTER 4 - VK-10011 - 2 x 12 LED - 2 x 20 W - 119° - 97°x77° (2 sides) - 4000K - DALI - Bronze	4946 lm
VK-10011-EW-T4-W30-DI-06	VEKTER 4 - VK-10011 - 2 x 12 LED - 2 x 20 W - 119° - 97°x77° (2 sides) - 3000K - 1-10V - Bronze	4624 lm

**VEKTER 4 (VK-10011)**

VK-10011-EW-T4-W40-DI-06	VEKTER 4 - VK-10011 - 2 x 12 LED - 2 x 20 W - 119° - 97°x77° (2 sides) - 4000K - 1-10V - Bronze	4946 lm
VK-10011-EW-T4-W30-DA-01	VEKTER 4 - VK-10011 - 2 x 12 LED - 2 x 20 W - 119° - 97°x77° (2 sides) - 3000K - DALI - Black	4624 lm
VK-10011-EW-T4-W40-DA-01	VEKTER 4 - VK-10011 - 2 x 12 LED - 2 x 20 W - 119° - 97°x77° (2 sides) - 4000K - DALI - Black	4946 lm
VK-10011-EW-T4-W30-ND-06	VEKTER 4 - VK-10011 - 2 x 12 LED - 2 x 20 W - 119° - 97°x77° (2 sides) - 3000K - On/Off - Bronze	4624 lm
VK-10011-EW-T4-W40-ND-06	VEKTER 4 - VK-10011 - 2 x 12 LED - 2 x 20 W - 119° - 97°x77° (2 sides) - 4000K - On/Off - Bronze	4946 lm
VK-10011-M-W-W30-DA-06	VEKTER 4 - VK-10011 - 2 x 12 LED - 2 x 20 W - 31° - 53° (2 sides) - 3000K - DALI - Bronze	4572 lm
VK-10011-M-W-W40-DA-06	VEKTER 4 - VK-10011 - 2 x 12 LED - 2 x 20 W - 31° - 53° (2 sides) - 4000K - DALI - Bronze	4892 lm
VK-10011-M-W-W30-DA-01	VEKTER 4 - VK-10011 - 2 x 12 LED - 2 x 20 W - 31° - 53° (2 sides) - 3000K - DALI - Black	4572 lm
VK-10011-M-W-W40-DA-01	VEKTER 4 - VK-10011 - 2 x 12 LED - 2 x 20 W - 31° - 53° (2 sides) - 4000K - DALI - Black	4892 lm
VK-10011-M-W-W30-DI-02	VEKTER 4 - VK-10011 - 2 x 12 LED - 2 x 20 W - 31° - 53° (2 sides) - 3000K - 1-10V - Dark Grey	4572 lm
VK-10011-M-W-W40-DI-02	VEKTER 4 - VK-10011 - 2 x 12 LED - 2 x 20 W - 31° - 53° (2 sides) - 4000K - 1-10V - Dark Grey	4892 lm
VK-10011-M-W-W30-DA-02	VEKTER 4 - VK-10011 - 2 x 12 LED - 2 x 20 W - 31° - 53° (2 sides) - 3000K - DALI - Dark Grey	4572 lm
VK-10011-M-W-W40-DA-02	VEKTER 4 - VK-10011 - 2 x 12 LED - 2 x 20 W - 31° - 53° (2 sides) - 4000K - DALI - Dark Grey	4892 lm
VK-10011-M-W-W30-DI-05	VEKTER 4 - VK-10011 - 2 x 12 LED - 2 x 20 W - 31° - 53° (2 sides) - 3000K - 1-10V - Matt Silver	4572 lm
VK-10011-M-W-W40-DI-05	VEKTER 4 - VK-10011 - 2 x 12 LED - 2 x 20 W - 31° - 53° (2 sides) - 4000K - 1-10V - Matt Silver	4892 lm
VK-10011-M-W-W30-DI-03	VEKTER 4 - VK-10011 - 2 x 12 LED - 2 x 20 W - 31° - 53° (2 sides) - 3000K - 1-10V - White	4572 lm
VK-10011-M-W-W40-DI-03	VEKTER 4 - VK-10011 - 2 x 12 LED - 2 x 20 W - 31° - 53° (2 sides) - 4000K - 1-10V - White	4892 lm
VK-10011-M-W-W30-ND-02	VEKTER 4 - VK-10011 - 2 x 12 LED - 2 x 20 W - 31° - 53° (2 sides) - 3000K - On/Off - Dark Grey	4572 lm
VK-10011-M-W-W40-ND-02	VEKTER 4 - VK-10011 - 2 x 12 LED - 2 x 20 W - 31° - 53° (2 sides) - 4000K - On/Off - Dark Grey	4892 lm
VK-10011-M-W-W30-ND-03	VEKTER 4 - VK-10011 - 2 x 12 LED - 2 x 20 W - 31° - 53° (2 sides) - 3000K - On/Off - White	4572 lm
VK-10011-M-W-W40-ND-03	VEKTER 4 - VK-10011 - 2 x 12 LED - 2 x 20 W - 31° - 53° (2 sides) - 4000K - On/Off - White	4892 lm
VK-10011-M-W-W30-DA-05	VEKTER 4 - VK-10011 - 2 x 12 LED - 2 x 20 W - 31° - 53° (2 sides) - 3000K - DALI - Matt Silver	4572 lm
VK-10011-M-W-W40-DA-05	VEKTER 4 - VK-10011 - 2 x 12 LED - 2 x 20 W - 31° - 53° (2 sides) - 4000K - DALI - Matt Silver	4892 lm
VK-10011-M-W-W30-DI-01	VEKTER 4 - VK-10011 - 2 x 12 LED - 2 x 20 W - 31° - 53° (2 sides) - 3000K - 1-10V - Black	4572 lm
VK-10011-M-W-W40-DI-01	VEKTER 4 - VK-10011 - 2 x 12 LED - 2 x 20 W - 31° - 53° (2 sides) - 4000K - 1-10V - Black	4892 lm
VK-10011-M-W-W30-ND-06	VEKTER 4 - VK-10011 - 2 x 12 LED - 2 x 20 W - 31° - 53° (2 sides) - 3000K - On/Off - Bronze	4572 lm
VK-10011-M-W-W40-ND-06	VEKTER 4 - VK-10011 - 2 x 12 LED - 2 x 20 W - 31° - 53° (2 sides) - 4000K - On/Off - Bronze	4892 lm
VK-10011-M-W-W30-ND-05	VEKTER 4 - VK-10011 - 2 x 12 LED - 2 x 20 W - 31° - 53° (2 sides) - 3000K - On/Off - Matt Silver	4572 lm
VK-10011-M-W-W40-ND-05	VEKTER 4 - VK-10011 - 2 x 12 LED - 2 x 20 W - 31° - 53° (2 sides) - 4000K - On/Off - Matt Silver	4892 lm
VK-10011-M-W-W30-DA-03	VEKTER 4 - VK-10011 - 2 x 12 LED - 2 x 20 W - 31° - 53° (2 sides) - 3000K - DALI - White	4572 lm
VK-10011-M-W-W40-DA-03	VEKTER 4 - VK-10011 - 2 x 12 LED - 2 x 20 W - 31° - 53° (2 sides) - 4000K - DALI - White	4892 lm
VK-10011-M-W-W30-ND-01	VEKTER 4 - VK-10011 - 2 x 12 LED - 2 x 20 W - 31° - 53° (2 sides) - 3000K - On/Off - Black	4572 lm
VK-10011-M-W-W40-ND-01	VEKTER 4 - VK-10011 - 2 x 12 LED - 2 x 20 W - 31° - 53° (2 sides) - 4000K - On/Off - Black	4892 lm
VK-10011-M-W-W30-DI-06	VEKTER 4 - VK-10011 - 2 x 12 LED - 2 x 20 W - 31° - 53° (2 sides) - 3000K - 1-10V - Bronze	4572 lm
VK-10011-M-W-W40-DI-06	VEKTER 4 - VK-10011 - 2 x 12 LED - 2 x 20 W - 31° - 53° (2 sides) - 4000K - 1-10V - Bronze	4892 lm
VK-10011-T2-T3-W40-DI-01	VEKTER 4 - VK-10011 - 2 x 12 LED - 2 x 20 W - 144°x50° - 139°x68° (2 sides) - 4000K - 1-10V - Black	4620 lm
VK-10011-T2-T3-W30-DI-01	VEKTER 4 - VK-10011 - 2 x 12 LED - 2 x 20 W - 144°x50° - 139°x68° (2 sides) - 3000K - 1-10V - Black	4318 lm
VK-10011-T2-T3-W40-ND-01	VEKTER 4 - VK-10011 - 2 x 12 LED - 2 x 20 W - 144°x50° - 139°x68° (2 sides) - 4000K - On/Off - Black	4620 lm
VK-10011-T2-T3-W30-ND-01	VEKTER 4 - VK-10011 - 2 x 12 LED - 2 x 20 W - 144°x50° - 139°x68° (2 sides) - 3000K - On/Off - Black	4318 lm
VK-10011-T2-T3-W40-DI-03	VEKTER 4 - VK-10011 - 2 x 12 LED - 2 x 20 W - 144°x50° - 139°x68° (2 sides) - 4000K - 1-10V - White	4620 lm
VK-10011-T2-T3-W30-DI-03	VEKTER 4 - VK-10011 - 2 x 12 LED - 2 x 20 W - 144°x50° - 139°x68° (2 sides) - 3000K - 1-10V - White	4318 lm
VK-10011-T2-T3-W40-DI-02	VEKTER 4 - VK-10011 - 2 x 12 LED - 2 x 20 W - 144°x50° - 139°x68° (2 sides) - 4000K - 1-10V - Dark Grey	4620 lm
VK-10011-T2-T3-W30-DI-02	VEKTER 4 - VK-10011 - 2 x 12 LED - 2 x 20 W - 144°x50° - 139°x68° (2 sides) - 3000K - 1-10V - Dark Grey	4318 lm
VK-10011-T2-T3-W40-DA-01	VEKTER 4 - VK-10011 - 2 x 12 LED - 2 x 20 W - 144°x50° - 139°x68° (2 sides) - 4000K - DALI - Black	4620 lm
VK-10011-T2-T3-W30-DA-01	VEKTER 4 - VK-10011 - 2 x 12 LED - 2 x 20 W - 144°x50° - 139°x68° (2 sides) - 3000K - DALI - Black	4318 lm
VK-10011-T2-T3-W40-DI-06	VEKTER 4 - VK-10011 - 2 x 12 LED - 2 x 20 W - 144°x50° - 139°x68° (2 sides) - 4000K - 1-10V - Bronze	4620 lm
VK-10011-T2-T3-W30-DI-06	VEKTER 4 - VK-10011 - 2 x 12 LED - 2 x 20 W - 144°x50° - 139°x68° (2 sides) - 3000K - 1-10V - Bronze	4318 lm
VK-10011-T2-T3-W40-ND-02	VEKTER 4 - VK-10011 - 2 x 12 LED - 2 x 20 W - 144°x50° - 139°x68° (2 sides) - 4000K - On/Off - Dark Grey	4620 lm
VK-10011-T2-T3-W30-ND-02	VEKTER 4 - VK-10011 - 2 x 12 LED - 2 x 20 W - 144°x50° - 139°x68° (2 sides) - 3000K - On/Off - Dark Grey	4318 lm
VK-10011-T2-T3-W40-ND-03	VEKTER 4 - VK-10011 - 2 x 12 LED - 2 x 20 W - 144°x50° - 139°x68° (2 sides) - 4000K - On/Off - White	4620 lm
VK-10011-T2-T3-W30-ND-03	VEKTER 4 - VK-10011 - 2 x 12 LED - 2 x 20 W - 144°x50° - 139°x68° (2 sides) - 3000K - On/Off - White	4318 lm
VK-10011-T2-T3-W40-DA-06	VEKTER 4 - VK-10011 - 2 x 12 LED - 2 x 20 W - 144°x50° - 139°x68° (2 sides) - 4000K - DALI - Bronze	4620 lm
VK-10011-T2-T3-W30-DA-06	VEKTER 4 - VK-10011 - 2 x 12 LED - 2 x 20 W - 144°x50° - 139°x68° (2 sides) - 3000K - DALI - Bronze	4318 lm
VK-10011-T2-T3-W40-DA-02	VEKTER 4 - VK-10011 - 2 x 12 LED - 2 x 20 W - 144°x50° - 139°x68° (2 sides) - 4000K - DALI - Dark Grey	4620 lm
VK-10011-T2-T3-W30-DA-02	VEKTER 4 - VK-10011 - 2 x 12 LED - 2 x 20 W - 144°x50° - 139°x68° (2 sides) - 3000K - DALI - Dark Grey	4318 lm
VK-10011-T2-T3-W40-ND-05	VEKTER 4 - VK-10011 - 2 x 12 LED - 2 x 20 W - 144°x50° - 139°x68° (2 sides) - 4000K - On/Off - Matt Silver	4620 lm

**VEKTER 4 (VK-10011)**

VK-10011-T2-T3-W30-ND-05	VEKTER 4 - VK-10011 - 2 x 12 LED - 2 x 20 W - 144°x50° - 139°x68° (2 sides) - 3000K - On/Off - Matt Silver	4318 lm
VK-10011-T2-T3-W40-DA-05	VEKTER 4 - VK-10011 - 2 x 12 LED - 2 x 20 W - 144°x50° - 139°x68° (2 sides) - 4000K - DALI - Matt Silver	4620 lm
VK-10011-T2-T3-W30-DA-05	VEKTER 4 - VK-10011 - 2 x 12 LED - 2 x 20 W - 144°x50° - 139°x68° (2 sides) - 3000K - DALI - Matt Silver	4318 lm
VK-10011-T2-T3-W40-DA-03	VEKTER 4 - VK-10011 - 2 x 12 LED - 2 x 20 W - 144°x50° - 139°x68° (2 sides) - 4000K - DALI - White	4620 lm
VK-10011-T2-T3-W30-DA-03	VEKTER 4 - VK-10011 - 2 x 12 LED - 2 x 20 W - 144°x50° - 139°x68° (2 sides) - 3000K - DALI - White	4318 lm
VK-10011-T2-T3-W40-DI-05	VEKTER 4 - VK-10011 - 2 x 12 LED - 2 x 20 W - 144°x50° - 139°x68° (2 sides) - 4000K - 1-10V - Matt Silver	4620 lm
VK-10011-T2-T3-W30-DI-05	VEKTER 4 - VK-10011 - 2 x 12 LED - 2 x 20 W - 144°x50° - 139°x68° (2 sides) - 3000K - 1-10V - Matt Silver	4318 lm
VK-10011-T2-T3-W40-ND-06	VEKTER 4 - VK-10011 - 2 x 12 LED - 2 x 20 W - 144°x50° - 139°x68° (2 sides) - 4000K - On/Off - Bronze	4620 lm
VK-10011-T2-T3-W30-ND-06	VEKTER 4 - VK-10011 - 2 x 12 LED - 2 x 20 W - 144°x50° - 139°x68° (2 sides) - 3000K - On/Off - Bronze	4318 lm
VK-10011-T3-M-W40-ND-01	VEKTER 4 - VK-10011 - 2 x 12 LED - 2 x 20 W - 139°x68° - 31° (2 sides) - 4000K - On/Off - Black	4596 lm
VK-10011-T3-M-W30-ND-01	VEKTER 4 - VK-10011 - 2 x 12 LED - 2 x 20 W - 139°x68° - 31° (2 sides) - 3000K - On/Off - Black	4296 lm
VK-10011-T3-M-W40-DI-02	VEKTER 4 - VK-10011 - 2 x 12 LED - 2 x 20 W - 139°x68° - 31° (2 sides) - 4000K - 1-10V - Dark Grey	4596 lm
VK-10011-T3-M-W30-DI-02	VEKTER 4 - VK-10011 - 2 x 12 LED - 2 x 20 W - 139°x68° - 31° (2 sides) - 3000K - 1-10V - Dark Grey	4296 lm
VK-10011-T3-M-W40-ND-02	VEKTER 4 - VK-10011 - 2 x 12 LED - 2 x 20 W - 139°x68° - 31° (2 sides) - 4000K - On/Off - Dark Grey	4596 lm
VK-10011-T3-M-W30-ND-02	VEKTER 4 - VK-10011 - 2 x 12 LED - 2 x 20 W - 139°x68° - 31° (2 sides) - 3000K - On/Off - Dark Grey	4296 lm
VK-10011-T3-M-W40-DA-01	VEKTER 4 - VK-10011 - 2 x 12 LED - 2 x 20 W - 139°x68° - 31° (2 sides) - 4000K - DALI - Black	4596 lm
VK-10011-T3-M-W30-DA-01	VEKTER 4 - VK-10011 - 2 x 12 LED - 2 x 20 W - 139°x68° - 31° (2 sides) - 3000K - DALI - Black	4296 lm
VK-10011-T3-M-W40-DI-03	VEKTER 4 - VK-10011 - 2 x 12 LED - 2 x 20 W - 139°x68° - 31° (2 sides) - 4000K - 1-10V - White	4596 lm
VK-10011-T3-M-W30-DI-03	VEKTER 4 - VK-10011 - 2 x 12 LED - 2 x 20 W - 139°x68° - 31° (2 sides) - 3000K - 1-10V - White	4296 lm
VK-10011-T3-M-W40-ND-03	VEKTER 4 - VK-10011 - 2 x 12 LED - 2 x 20 W - 139°x68° - 31° (2 sides) - 4000K - On/Off - White	4596 lm
VK-10011-T3-M-W30-ND-03	VEKTER 4 - VK-10011 - 2 x 12 LED - 2 x 20 W - 139°x68° - 31° (2 sides) - 3000K - On/Off - White	4296 lm
VK-10011-T3-M-W40-ND-06	VEKTER 4 - VK-10011 - 2 x 12 LED - 2 x 20 W - 139°x68° - 31° (2 sides) - 4000K - On/Off - Bronze	4596 lm
VK-10011-T3-M-W30-ND-06	VEKTER 4 - VK-10011 - 2 x 12 LED - 2 x 20 W - 139°x68° - 31° (2 sides) - 3000K - On/Off - Bronze	4296 lm
VK-10011-T3-M-W40-ND-05	VEKTER 4 - VK-10011 - 2 x 12 LED - 2 x 20 W - 139°x68° - 31° (2 sides) - 4000K - On/Off - Matt Silver	4596 lm
VK-10011-T3-M-W30-ND-05	VEKTER 4 - VK-10011 - 2 x 12 LED - 2 x 20 W - 139°x68° - 31° (2 sides) - 3000K - On/Off - Matt Silver	4296 lm
VK-10011-T3-M-W40-DA-06	VEKTER 4 - VK-10011 - 2 x 12 LED - 2 x 20 W - 139°x68° - 31° (2 sides) - 4000K - DALI - Bronze	4596 lm
VK-10011-T3-M-W30-DA-06	VEKTER 4 - VK-10011 - 2 x 12 LED - 2 x 20 W - 139°x68° - 31° (2 sides) - 3000K - DALI - Bronze	4296 lm
VK-10011-T3-M-W40-DA-02	VEKTER 4 - VK-10011 - 2 x 12 LED - 2 x 20 W - 139°x68° - 31° (2 sides) - 4000K - DALI - Dark Grey	4596 lm
VK-10011-T3-M-W30-DA-02	VEKTER 4 - VK-10011 - 2 x 12 LED - 2 x 20 W - 139°x68° - 31° (2 sides) - 3000K - DALI - Dark Grey	4296 lm
VK-10011-T3-M-W40-DA-05	VEKTER 4 - VK-10011 - 2 x 12 LED - 2 x 20 W - 139°x68° - 31° (2 sides) - 4000K - DALI - Matt Silver	4596 lm
VK-10011-T3-M-W30-DA-05	VEKTER 4 - VK-10011 - 2 x 12 LED - 2 x 20 W - 139°x68° - 31° (2 sides) - 3000K - DALI - Matt Silver	4296 lm
VK-10011-T3-M-W40-DA-03	VEKTER 4 - VK-10011 - 2 x 12 LED - 2 x 20 W - 139°x68° - 31° (2 sides) - 4000K - DALI - White	4596 lm
VK-10011-T3-M-W30-DA-03	VEKTER 4 - VK-10011 - 2 x 12 LED - 2 x 20 W - 139°x68° - 31° (2 sides) - 3000K - DALI - White	4296 lm
VK-10011-T3-M-W40-DI-06	VEKTER 4 - VK-10011 - 2 x 12 LED - 2 x 20 W - 139°x68° - 31° (2 sides) - 4000K - 1-10V - Bronze	4596 lm
VK-10011-T3-M-W30-DI-06	VEKTER 4 - VK-10011 - 2 x 12 LED - 2 x 20 W - 139°x68° - 31° (2 sides) - 3000K - 1-10V - Bronze	4296 lm
VK-10011-T3-M-W40-DI-05	VEKTER 4 - VK-10011 - 2 x 12 LED - 2 x 20 W - 139°x68° - 31° (2 sides) - 4000K - 1-10V - Matt Silver	4596 lm
VK-10011-T3-M-W30-DI-05	VEKTER 4 - VK-10011 - 2 x 12 LED - 2 x 20 W - 139°x68° - 31° (2 sides) - 3000K - 1-10V - Matt Silver	4296 lm
VK-10011-T3-M-W40-DI-01	VEKTER 4 - VK-10011 - 2 x 12 LED - 2 x 20 W - 139°x68° - 31° (2 sides) - 4000K - 1-10V - Black	4596 lm
VK-10011-T3-M-W30-DI-01	VEKTER 4 - VK-10011 - 2 x 12 LED - 2 x 20 W - 139°x68° - 31° (2 sides) - 3000K - 1-10V - Black	4296 lm
VK-10011-T4-W-W40-DA-01	VEKTER 4 - VK-10011 - 2 x 12 LED - 2 x 20 W - 97°x77° - 53° (2 sides) - 4000K - DALI - Black	4606 lm
VK-10011-T4-W-W30-DA-01	VEKTER 4 - VK-10011 - 2 x 12 LED - 2 x 20 W - 97°x77° - 53° (2 sides) - 3000K - DALI - Black	4306 lm
VK-10011-T4-W-W40-DA-05	VEKTER 4 - VK-10011 - 2 x 12 LED - 2 x 20 W - 97°x77° - 53° (2 sides) - 4000K - DALI - Matt Silver	4606 lm
VK-10011-T4-W-W30-DA-05	VEKTER 4 - VK-10011 - 2 x 12 LED - 2 x 20 W - 97°x77° - 53° (2 sides) - 3000K - DALI - Matt Silver	4306 lm
VK-10011-T4-W-W40-ND-03	VEKTER 4 - VK-10011 - 2 x 12 LED - 2 x 20 W - 97°x77° - 53° (2 sides) - 4000K - On/Off - White	4606 lm
VK-10011-T4-W-W30-ND-03	VEKTER 4 - VK-10011 - 2 x 12 LED - 2 x 20 W - 97°x77° - 53° (2 sides) - 3000K - On/Off - White	4306 lm
VK-10011-T4-W-W40-DA-03	VEKTER 4 - VK-10011 - 2 x 12 LED - 2 x 20 W - 97°x77° - 53° (2 sides) - 4000K - DALI - White	4606 lm
VK-10011-T4-W-W30-DA-03	VEKTER 4 - VK-10011 - 2 x 12 LED - 2 x 20 W - 97°x77° - 53° (2 sides) - 3000K - DALI - White	4306 lm
VK-10011-T4-W-W40-ND-05	VEKTER 4 - VK-10011 - 2 x 12 LED - 2 x 20 W - 97°x77° - 53° (2 sides) - 4000K - On/Off - Matt Silver	4606 lm
VK-10011-T4-W-W30-ND-05	VEKTER 4 - VK-10011 - 2 x 12 LED - 2 x 20 W - 97°x77° - 53° (2 sides) - 3000K - On/Off - Matt Silver	4306 lm
VK-10011-T4-W-W40-ND-02	VEKTER 4 - VK-10011 - 2 x 12 LED - 2 x 20 W - 97°x77° - 53° (2 sides) - 4000K - On/Off - Dark Grey	4606 lm
VK-10011-T4-W-W30-ND-02	VEKTER 4 - VK-10011 - 2 x 12 LED - 2 x 20 W - 97°x77° - 53° (2 sides) - 3000K - On/Off - Dark Grey	4306 lm
VK-10011-T4-W-W40-DI-01	VEKTER 4 - VK-10011 - 2 x 12 LED - 2 x 20 W - 97°x77° - 53° (2 sides) - 4000K - 1-10V - Black	4606 lm
VK-10011-T4-W-W30-DI-01	VEKTER 4 - VK-10011 - 2 x 12 LED - 2 x 20 W - 97°x77° - 53° (2 sides) - 3000K - 1-10V - Black	4306 lm
VK-10011-T4-W-W40-ND-01	VEKTER 4 - VK-10011 - 2 x 12 LED - 2 x 20 W - 97°x77° - 53° (2 sides) - 4000K - On/Off - Black	4606 lm
VK-10011-T4-W-W30-ND-01	VEKTER 4 - VK-10011 - 2 x 12 LED - 2 x 20 W - 97°x77° - 53° (2 sides) - 3000K - On/Off - Black	4306 lm
VK-10011-T4-W-W40-DA-02	VEKTER 4 - VK-10011 - 2 x 12 LED - 2 x 20 W - 97°x77° - 53° (2 sides) - 4000K - DALI - Dark Grey	4606 lm

Мы оставляем за собой право вносить технические и конструктивные изменения.

10:32, 17-01-2020

<https://www.ligman.com/ru/vektek-4-vk-10011/>

Европа  
LIGMAN EUROPE s.r.o.  
VGP Park Ustí nad Labem  
P 2 120  
40317, Přestanov  
Czech Republic  
+420 477 071 500  
sales.cz@ligman.com

Страны азиатско-тихоокеанского региона  
LIGMAN Lighting Co.,Ltd.  
17/2 Moo4 Monthong  
Bangnampreaw  
24150, Chachoengsao  
Thailand  
+66 2 108 6700  
info@ligman.com

## VEKTER 4 (VK-10011)

VK-10011-T4-W-W30-DA-02	VEKTER 4 - VK-10011 - 2 x 12 LED - 2 x 20 W - 97°x77° - 53° (2 sides) - 3000K - DALI - Dark Grey	4306 lm
VK-10011-T4-W-W40-DI-03	VEKTER 4 - VK-10011 - 2 x 12 LED - 2 x 20 W - 97°x77° - 53° (2 sides) - 4000K - 1-10V - White	4606 lm
VK-10011-T4-W-W30-DI-03	VEKTER 4 - VK-10011 - 2 x 12 LED - 2 x 20 W - 97°x77° - 53° (2 sides) - 3000K - 1-10V - White	4306 lm
VK-10011-T4-W-W40-DI-05	VEKTER 4 - VK-10011 - 2 x 12 LED - 2 x 20 W - 97°x77° - 53° (2 sides) - 4000K - 1-10V - Matt Silver	4606 lm
VK-10011-T4-W-W30-DI-05	VEKTER 4 - VK-10011 - 2 x 12 LED - 2 x 20 W - 97°x77° - 53° (2 sides) - 3000K - 1-10V - Matt Silver	4306 lm
VK-10011-T4-W-W40-DA-06	VEKTER 4 - VK-10011 - 2 x 12 LED - 2 x 20 W - 97°x77° - 53° (2 sides) - 4000K - DALI - Bronze	4606 lm
VK-10011-T4-W-W30-DA-06	VEKTER 4 - VK-10011 - 2 x 12 LED - 2 x 20 W - 97°x77° - 53° (2 sides) - 3000K - DALI - Bronze	4306 lm
VK-10011-T4-W-W40-DI-02	VEKTER 4 - VK-10011 - 2 x 12 LED - 2 x 20 W - 97°x77° - 53° (2 sides) - 4000K - 1-10V - Dark Grey	4606 lm
VK-10011-T4-W-W30-DI-02	VEKTER 4 - VK-10011 - 2 x 12 LED - 2 x 20 W - 97°x77° - 53° (2 sides) - 3000K - 1-10V - Dark Grey	4306 lm
VK-10011-T4-W-W40-ND-06	VEKTER 4 - VK-10011 - 2 x 12 LED - 2 x 20 W - 97°x77° - 53° (2 sides) - 4000K - On/Off - Bronze	4606 lm
VK-10011-T4-W-W30-ND-06	VEKTER 4 - VK-10011 - 2 x 12 LED - 2 x 20 W - 97°x77° - 53° (2 sides) - 3000K - On/Off - Bronze	4306 lm
VK-10011-T4-W-W40-DI-06	VEKTER 4 - VK-10011 - 2 x 12 LED - 2 x 20 W - 97°x77° - 53° (2 sides) - 4000K - 1-10V - Bronze	4606 lm
VK-10011-T4-W-W30-DI-06	VEKTER 4 - VK-10011 - 2 x 12 LED - 2 x 20 W - 97°x77° - 53° (2 sides) - 3000K - 1-10V - Bronze	4306 lm
VK-10011-W-M-W30-DA-05	VEKTER 4 - VK-10011 - 2 x 12 LED - 2 x 20 W - 53° - 31° (2 sides) - 3000K - DALI - Matt Silver	4598 lm
VK-10011-W-M-W40-DA-05	VEKTER 4 - VK-10011 - 2 x 12 LED - 2 x 20 W - 53° - 31° (2 sides) - 4000K - DALI - Matt Silver	4920 lm
VK-10011-W-M-W30-ND-03	VEKTER 4 - VK-10011 - 2 x 12 LED - 2 x 20 W - 53° - 31° (2 sides) - 3000K - On/Off - White	4598 lm
VK-10011-W-M-W40-ND-03	VEKTER 4 - VK-10011 - 2 x 12 LED - 2 x 20 W - 53° - 31° (2 sides) - 4000K - On/Off - White	4920 lm
VK-10011-W-M-W30-DA-02	VEKTER 4 - VK-10011 - 2 x 12 LED - 2 x 20 W - 53° - 31° (2 sides) - 3000K - DALI - Dark Grey	4598 lm
VK-10011-W-M-W40-DA-02	VEKTER 4 - VK-10011 - 2 x 12 LED - 2 x 20 W - 53° - 31° (2 sides) - 4000K - DALI - Dark Grey	4920 lm
VK-10011-W-M-W30-DA-01	VEKTER 4 - VK-10011 - 2 x 12 LED - 2 x 20 W - 53° - 31° (2 sides) - 3000K - DALI - Black	4598 lm
VK-10011-W-M-W40-DA-01	VEKTER 4 - VK-10011 - 2 x 12 LED - 2 x 20 W - 53° - 31° (2 sides) - 4000K - DALI - Black	4920 lm
VK-10011-W-M-W30-ND-01	VEKTER 4 - VK-10011 - 2 x 12 LED - 2 x 20 W - 53° - 31° (2 sides) - 3000K - On/Off - Black	4598 lm
VK-10011-W-M-W40-ND-01	VEKTER 4 - VK-10011 - 2 x 12 LED - 2 x 20 W - 53° - 31° (2 sides) - 4000K - On/Off - Black	4920 lm
VK-10011-W-M-W30-DI-03	VEKTER 4 - VK-10011 - 2 x 12 LED - 2 x 20 W - 53° - 31° (2 sides) - 3000K - 1-10V - White	4598 lm
VK-10011-W-M-W40-DI-03	VEKTER 4 - VK-10011 - 2 x 12 LED - 2 x 20 W - 53° - 31° (2 sides) - 4000K - 1-10V - White	4920 lm
VK-10011-W-M-W30-ND-05	VEKTER 4 - VK-10011 - 2 x 12 LED - 2 x 20 W - 53° - 31° (2 sides) - 3000K - On/Off - Matt Silver	4598 lm
VK-10011-W-M-W40-ND-05	VEKTER 4 - VK-10011 - 2 x 12 LED - 2 x 20 W - 53° - 31° (2 sides) - 4000K - On/Off - Matt Silver	4920 lm
VK-10011-W-M-W30-DI-06	VEKTER 4 - VK-10011 - 2 x 12 LED - 2 x 20 W - 53° - 31° (2 sides) - 3000K - 1-10V - Bronze	4598 lm
VK-10011-W-M-W40-DI-06	VEKTER 4 - VK-10011 - 2 x 12 LED - 2 x 20 W - 53° - 31° (2 sides) - 4000K - 1-10V - Bronze	4920 lm
VK-10011-W-M-W30-ND-06	VEKTER 4 - VK-10011 - 2 x 12 LED - 2 x 20 W - 53° - 31° (2 sides) - 3000K - On/Off - Bronze	4598 lm
VK-10011-W-M-W40-ND-06	VEKTER 4 - VK-10011 - 2 x 12 LED - 2 x 20 W - 53° - 31° (2 sides) - 4000K - On/Off - Bronze	4920 lm
VK-10011-W-M-W30-DI-05	VEKTER 4 - VK-10011 - 2 x 12 LED - 2 x 20 W - 53° - 31° (2 sides) - 3000K - 1-10V - Matt Silver	4598 lm
VK-10011-W-M-W40-DI-05	VEKTER 4 - VK-10011 - 2 x 12 LED - 2 x 20 W - 53° - 31° (2 sides) - 4000K - 1-10V - Matt Silver	4920 lm
VK-10011-W-M-W30-DI-01	VEKTER 4 - VK-10011 - 2 x 12 LED - 2 x 20 W - 53° - 31° (2 sides) - 3000K - 1-10V - Black	4598 lm
VK-10011-W-M-W40-DI-01	VEKTER 4 - VK-10011 - 2 x 12 LED - 2 x 20 W - 53° - 31° (2 sides) - 4000K - 1-10V - Black	4920 lm
VK-10011-W-M-W30-ND-02	VEKTER 4 - VK-10011 - 2 x 12 LED - 2 x 20 W - 53° - 31° (2 sides) - 3000K - On/Off - Dark Grey	4598 lm
VK-10011-W-M-W40-ND-02	VEKTER 4 - VK-10011 - 2 x 12 LED - 2 x 20 W - 53° - 31° (2 sides) - 4000K - On/Off - Dark Grey	4920 lm
VK-10011-W-M-W30-DA-03	VEKTER 4 - VK-10011 - 2 x 12 LED - 2 x 20 W - 53° - 31° (2 sides) - 3000K - DALI - White	4598 lm
VK-10011-W-M-W40-DA-03	VEKTER 4 - VK-10011 - 2 x 12 LED - 2 x 20 W - 53° - 31° (2 sides) - 4000K - DALI - White	4920 lm
VK-10011-W-M-W30-DA-06	VEKTER 4 - VK-10011 - 2 x 12 LED - 2 x 20 W - 53° - 31° (2 sides) - 3000K - DALI - Bronze	4598 lm
VK-10011-W-M-W40-DA-06	VEKTER 4 - VK-10011 - 2 x 12 LED - 2 x 20 W - 53° - 31° (2 sides) - 4000K - DALI - Bronze	4920 lm
VK-10011-W-M-W30-DI-02	VEKTER 4 - VK-10011 - 2 x 12 LED - 2 x 20 W - 53° - 31° (2 sides) - 3000K - 1-10V - Dark Grey	4598 lm
VK-10011-W-M-W40-DI-02	VEKTER 4 - VK-10011 - 2 x 12 LED - 2 x 20 W - 53° - 31° (2 sides) - 4000K - 1-10V - Dark Grey	4920 lm