

**PRAGUE 2 (PRA-10011)**

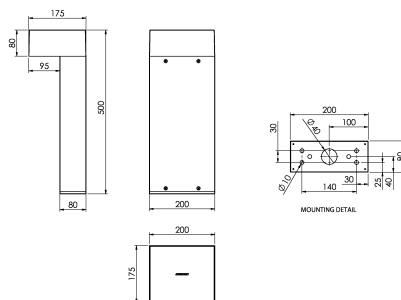


**Структура светильника**

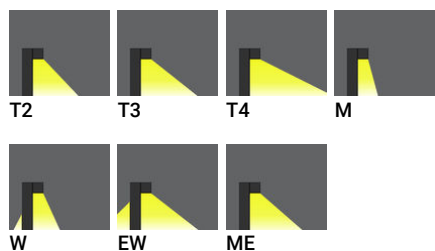
- Корпус из литого алюминия, рама и столб из экструдированного алюминия предварительно обработаны перед нанесением порошкового покрытия, что обеспечивает высокую коррозионную стойкость
- Одинарный кабельный ввод
- Одинарный разъем IP68 поставляется с наружным кабелем 3x1,0 кв.
- Крепеж из нержавеющей стали класса 316
- Прочный уплотнитель из силиконовой резины
- Прозрачное закалённое стекло
- Высокоэффективная оптика из ПММА
- Встроенный механизм управления



PRAGUE



**Символ цвета**



**Цвет товара**



**Описание товара**

200x80 mm - 500 mm

**Техническая информация**

Лампа	2 x 4 LED
Тип лампы	LED
Тип диммирования	On/Off, DALI, 1-10V
ЕЕС	A+
Материал	Aluminium
Вес	5.7 kg

Светильник	
Мощность	13.9 W
Люмен	1376 - 1675 lm
Эффективность	99 - 121 lm/W
ССТ	3000K, 4000K
Ток возбуждения	500 mA

Мы оставляем за собой право вносить технические и конструктивные изменения.

07:28, 16-01-2020

<https://www.ligman.com/ru/prague-2-pra-10011/>

Европа  
LIGMAN EUROPE s.r.o.  
VGP Park Ústí nad Labem  
P 2 120  
40317, Přestanov  
Czech Republic  
+420 477 071 500  
[sales.cz@ligman.com](mailto:sales.cz@ligman.com)

Страны азиатско-тихоокеанского региона  
LIGMAN Lighting Co.,Ltd.  
17/2 Moo4 Monthong  
Bangnampreaw  
24150, Chachoengsao  
Thailand  
+66 2 108 6700  
[info@ligman.com](mailto:info@ligman.com)

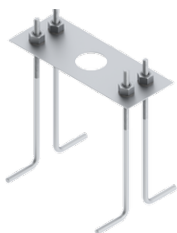
**PRAGUE 2** (PRA-10011)

Оптика	T2 [139°x55°], T3 [123°x85°], T4 [105°x69°], M [30°], W [56°], EW [110°x103°], ME [139°x60°]
--------	---

---

**PRAGUE 2 (PRA-10011)****Аксессуары**

---



Anchor bolt

**A11191**

**PRAGUE 2 (PRA-10011)**

Variant reference	Variant name	Люмен (Светильник)
PRA-10011-T2-W30-ND-02	PRAGUE 2 - PRA-10011 - 2x4 LED - 13.9 W - 139°x55° - 3000K - On/Off - Dark Grey	1430 lm
PRA-10011-T2-W40-ND-02	PRAGUE 2 - PRA-10011 - 2x4 LED - 13.9 W - 139°x55° - 4000K - On/Off - Dark Grey	1514 lm
PRA-10011-T2-W30-ND-06	PRAGUE 2 - PRA-10011 - 2x4 LED - 13.9 W - 139°x55° - 3000K - On/Off - Bronze	1430 lm
PRA-10011-T2-W40-ND-06	PRAGUE 2 - PRA-10011 - 2x4 LED - 13.9 W - 139°x55° - 4000K - On/Off - Bronze	1514 lm
PRA-10011-T2-W30-DA-01	PRAGUE 2 - PRA-10011 - 2x4 LED - 13.9 W - 139°x55° - 3000K - DALI - Black	1430 lm
PRA-10011-T2-W40-DA-01	PRAGUE 2 - PRA-10011 - 2x4 LED - 13.9 W - 139°x55° - 4000K - DALI - Black	1514 lm
PRA-10011-T2-W30-ND-03	PRAGUE 2 - PRA-10011 - 2x4 LED - 13.9 W - 139°x55° - 3000K - On/Off - White	1430 lm
PRA-10011-T2-W40-ND-03	PRAGUE 2 - PRA-10011 - 2x4 LED - 13.9 W - 139°x55° - 4000K - On/Off - White	1514 lm
PRA-10011-T2-W30-DA-02	PRAGUE 2 - PRA-10011 - 2x4 LED - 13.9 W - 139°x55° - 3000K - DALI - Dark Grey	1430 lm
PRA-10011-T2-W40-DA-02	PRAGUE 2 - PRA-10011 - 2x4 LED - 13.9 W - 139°x55° - 4000K - DALI - Dark Grey	1514 lm
PRA-10011-T2-W30-DA-05	PRAGUE 2 - PRA-10011 - 2x4 LED - 13.9 W - 139°x55° - 3000K - DALI - Matt Silver	1430 lm
PRA-10011-T2-W40-DA-05	PRAGUE 2 - PRA-10011 - 2x4 LED - 13.9 W - 139°x55° - 4000K - DALI - Matt Silver	1514 lm
PRA-10011-T2-W30-DI-02	PRAGUE 2 - PRA-10011 - 2x4 LED - 13.9 W - 139°x55° - 3000K - 1-10V - Dark Grey	1430 lm
PRA-10011-T2-W40-DI-02	PRAGUE 2 - PRA-10011 - 2x4 LED - 13.9 W - 139°x55° - 4000K - 1-10V - Dark Grey	1514 lm
PRA-10011-T2-W30-DI-05	PRAGUE 2 - PRA-10011 - 2x4 LED - 13.9 W - 139°x55° - 3000K - 1-10V - Matt Silver	1430 lm
PRA-10011-T2-W40-DI-05	PRAGUE 2 - PRA-10011 - 2x4 LED - 13.9 W - 139°x55° - 4000K - 1-10V - Matt Silver	1514 lm
PRA-10011-T2-W30-DA-03	PRAGUE 2 - PRA-10011 - 2x4 LED - 13.9 W - 139°x55° - 3000K - DALI - White	1430 lm
PRA-10011-T2-W40-DA-03	PRAGUE 2 - PRA-10011 - 2x4 LED - 13.9 W - 139°x55° - 4000K - DALI - White	1514 lm
PRA-10011-T2-W30-ND-05	PRAGUE 2 - PRA-10011 - 2x4 LED - 13.9 W - 139°x55° - 3000K - On/Off - Matt Silver	1430 lm
PRA-10011-T2-W40-ND-05	PRAGUE 2 - PRA-10011 - 2x4 LED - 13.9 W - 139°x55° - 4000K - On/Off - Matt Silver	1514 lm
PRA-10011-T2-W30-DA-06	PRAGUE 2 - PRA-10011 - 2x4 LED - 13.9 W - 139°x55° - 3000K - DALI - Bronze	1430 lm
PRA-10011-T2-W40-DA-06	PRAGUE 2 - PRA-10011 - 2x4 LED - 13.9 W - 139°x55° - 4000K - DALI - Bronze	1514 lm
PRA-10011-T2-W30-DI-01	PRAGUE 2 - PRA-10011 - 2x4 LED - 13.9 W - 139°x55° - 3000K - 1-10V - Black	1430 lm
PRA-10011-T2-W40-DI-01	PRAGUE 2 - PRA-10011 - 2x4 LED - 13.9 W - 139°x55° - 4000K - 1-10V - Black	1514 lm
PRA-10011-T2-W30-DI-06	PRAGUE 2 - PRA-10011 - 2x4 LED - 13.9 W - 139°x55° - 3000K - 1-10V - Bronze	1430 lm
PRA-10011-T2-W40-DI-06	PRAGUE 2 - PRA-10011 - 2x4 LED - 13.9 W - 139°x55° - 4000K - 1-10V - Bronze	1514 lm
PRA-10011-T2-W30-ND-01	PRAGUE 2 - PRA-10011 - 2x4 LED - 13.9 W - 139°x55° - 3000K - On/Off - Black	1430 lm
PRA-10011-T2-W40-ND-01	PRAGUE 2 - PRA-10011 - 2x4 LED - 13.9 W - 139°x55° - 4000K - On/Off - Black	1514 lm
PRA-10011-T2-W30-DI-03	PRAGUE 2 - PRA-10011 - 2x4 LED - 13.9 W - 139°x55° - 3000K - 1-10V - White	1430 lm
PRA-10011-T2-W40-DI-03	PRAGUE 2 - PRA-10011 - 2x4 LED - 13.9 W - 139°x55° - 4000K - 1-10V - White	1514 lm
PRA-10011-T3-W30-DA-05	PRAGUE 2 - PRA-10011 - 2x4 LED - 13.9 W - 123°x85° - 3000K - DALI - Matt Silver	1376 lm
PRA-10011-T3-W40-DA-05	PRAGUE 2 - PRA-10011 - 2x4 LED - 13.9 W - 123°x85° - 4000K - DALI - Matt Silver	1457 lm
PRA-10011-T3-W30-ND-03	PRAGUE 2 - PRA-10011 - 2x4 LED - 13.9 W - 123°x85° - 3000K - On/Off - White	1376 lm
PRA-10011-T3-W40-ND-03	PRAGUE 2 - PRA-10011 - 2x4 LED - 13.9 W - 123°x85° - 4000K - On/Off - White	1457 lm
PRA-10011-T3-W30-ND-01	PRAGUE 2 - PRA-10011 - 2x4 LED - 13.9 W - 123°x85° - 3000K - On/Off - Black	1376 lm
PRA-10011-T3-W40-ND-01	PRAGUE 2 - PRA-10011 - 2x4 LED - 13.9 W - 123°x85° - 4000K - On/Off - Black	1457 lm
PRA-10011-T3-W30-DI-05	PRAGUE 2 - PRA-10011 - 2x4 LED - 13.9 W - 123°x85° - 3000K - 1-10V - Matt Silver	1376 lm
PRA-10011-T3-W40-DI-05	PRAGUE 2 - PRA-10011 - 2x4 LED - 13.9 W - 123°x85° - 4000K - 1-10V - Matt Silver	1457 lm
PRA-10011-T3-W30-DI-01	PRAGUE 2 - PRA-10011 - 2x4 LED - 13.9 W - 123°x85° - 3000K - 1-10V - Black	1376 lm
PRA-10011-T3-W40-DI-01	PRAGUE 2 - PRA-10011 - 2x4 LED - 13.9 W - 123°x85° - 4000K - 1-10V - Black	1457 lm
PRA-10011-T3-W30-DI-02	PRAGUE 2 - PRA-10011 - 2x4 LED - 13.9 W - 123°x85° - 3000K - 1-10V - Dark Grey	1376 lm
PRA-10011-T3-W40-DI-02	PRAGUE 2 - PRA-10011 - 2x4 LED - 13.9 W - 123°x85° - 4000K - 1-10V - Dark Grey	1457 lm
PRA-10011-T3-W30-DI-06	PRAGUE 2 - PRA-10011 - 2x4 LED - 13.9 W - 123°x85° - 3000K - 1-10V - Bronze	1376 lm
PRA-10011-T3-W40-DI-06	PRAGUE 2 - PRA-10011 - 2x4 LED - 13.9 W - 123°x85° - 4000K - 1-10V - Bronze	1457 lm
PRA-10011-T3-W30-DI-03	PRAGUE 2 - PRA-10011 - 2x4 LED - 13.9 W - 123°x85° - 3000K - 1-10V - White	1376 lm
PRA-10011-T3-W40-DI-03	PRAGUE 2 - PRA-10011 - 2x4 LED - 13.9 W - 123°x85° - 4000K - 1-10V - White	1457 lm
PRA-10011-T3-W30-DA-03	PRAGUE 2 - PRA-10011 - 2x4 LED - 13.9 W - 123°x85° - 3000K - DALI - White	1376 lm
PRA-10011-T3-W40-DA-03	PRAGUE 2 - PRA-10011 - 2x4 LED - 13.9 W - 123°x85° - 4000K - DALI - White	1457 lm
PRA-10011-T3-W30-DA-02	PRAGUE 2 - PRA-10011 - 2x4 LED - 13.9 W - 123°x85° - 3000K - DALI - Dark Grey	1376 lm
PRA-10011-T3-W40-DA-02	PRAGUE 2 - PRA-10011 - 2x4 LED - 13.9 W - 123°x85° - 4000K - DALI - Dark Grey	1457 lm
PRA-10011-T3-W30-ND-06	PRAGUE 2 - PRA-10011 - 2x4 LED - 13.9 W - 123°x85° - 3000K - On/Off - Bronze	1376 lm
PRA-10011-T3-W40-ND-06	PRAGUE 2 - PRA-10011 - 2x4 LED - 13.9 W - 123°x85° - 4000K - On/Off - Bronze	1457 lm
PRA-10011-T3-W30-ND-05	PRAGUE 2 - PRA-10011 - 2x4 LED - 13.9 W - 123°x85° - 3000K - On/Off - Matt Silver	1376 lm
PRA-10011-T3-W40-ND-05	PRAGUE 2 - PRA-10011 - 2x4 LED - 13.9 W - 123°x85° - 4000K - On/Off - Matt Silver	1457 lm
PRA-10011-T3-W30-DA-01	PRAGUE 2 - PRA-10011 - 2x4 LED - 13.9 W - 123°x85° - 3000K - DALI - Black	1376 lm
PRA-10011-T3-W40-DA-01	PRAGUE 2 - PRA-10011 - 2x4 LED - 13.9 W - 123°x85° - 4000K - DALI - Black	1457 lm
PRA-10011-T3-W30-DA-06	PRAGUE 2 - PRA-10011 - 2x4 LED - 13.9 W - 123°x85° - 3000K - DALI - Bronze	1376 lm
PRA-10011-T3-W40-DA-06	PRAGUE 2 - PRA-10011 - 2x4 LED - 13.9 W - 123°x85° - 4000K - DALI - Bronze	1457 lm

Мы оставляем за собой право вносить технические и конструктивные изменения.

07:28, 16-01-2020

<https://www.ligman.com/ru/prague-2-pra-10011/>

Европа  
LIGMAN EUROPE s.r.o.  
VGP Park Ústí nad Labem  
P 2 120  
40317, Přestanov  
Czech Republic  
+420 477 071 500  
[sales.cz@ligman.com](mailto:sales.cz@ligman.com)

Страны азиатско-тихоокеанского региона  
LIGMAN Lighting Co.,Ltd.  
17/2 Moo4 Monthong  
Bangnampreaw  
24150, Chachoengsao  
Thailand  
+66 2 108 6700  
[info@ligman.com](mailto:info@ligman.com)

**PRAGUE 2 (PRA-10011)**

PRA-10011-T3-W30-ND-02	PRAGUE 2 - PRA-10011 - 2x4 LED - 13.9 W - 123°x85° - 3000K - On/Off - Dark Grey	1376 lm
PRA-10011-T3-W40-ND-02	PRAGUE 2 - PRA-10011 - 2x4 LED - 13.9 W - 123°x85° - 4000K - On/Off - Dark Grey	1457 lm
PRA-10011-T4-W30-ND-02	PRAGUE 2 - PRA-10011 - 2x4 LED - 13.9 W - 105°x69° - 3000K - On/Off - Dark Grey	1384 lm
PRA-10011-T4-W40-ND-02	PRAGUE 2 - PRA-10011 - 2x4 LED - 13.9 W - 105°x69° - 4000K - On/Off - Dark Grey	1466 lm
PRA-10011-T4-W30-DA-03	PRAGUE 2 - PRA-10011 - 2x4 LED - 13.9 W - 105°x69° - 3000K - DALI - White	1384 lm
PRA-10011-T4-W40-DA-03	PRAGUE 2 - PRA-10011 - 2x4 LED - 13.9 W - 105°x69° - 4000K - DALI - White	1466 lm
PRA-10011-T4-W30-ND-05	PRAGUE 2 - PRA-10011 - 2x4 LED - 13.9 W - 105°x69° - 3000K - On/Off - Matt Silver	1384 lm
PRA-10011-T4-W40-ND-05	PRAGUE 2 - PRA-10011 - 2x4 LED - 13.9 W - 105°x69° - 4000K - On/Off - Matt Silver	1466 lm
PRA-10011-T4-W30-DI-02	PRAGUE 2 - PRA-10011 - 2x4 LED - 13.9 W - 105°x69° - 3000K - 1-10V - Dark Grey	1384 lm
PRA-10011-T4-W40-DI-02	PRAGUE 2 - PRA-10011 - 2x4 LED - 13.9 W - 105°x69° - 4000K - 1-10V - Dark Grey	1466 lm
PRA-10011-T4-W30-DI-01	PRAGUE 2 - PRA-10011 - 2x4 LED - 13.9 W - 105°x69° - 3000K - 1-10V - Black	1384 lm
PRA-10011-T4-W40-DI-01	PRAGUE 2 - PRA-10011 - 2x4 LED - 13.9 W - 105°x69° - 4000K - 1-10V - Black	1466 lm
PRA-10011-T4-W30-DA-01	PRAGUE 2 - PRA-10011 - 2x4 LED - 13.9 W - 105°x69° - 3000K - DALI - Black	1384 lm
PRA-10011-T4-W40-DA-01	PRAGUE 2 - PRA-10011 - 2x4 LED - 13.9 W - 105°x69° - 4000K - DALI - Black	1466 lm
PRA-10011-T4-W30-DI-05	PRAGUE 2 - PRA-10011 - 2x4 LED - 13.9 W - 105°x69° - 3000K - 1-10V - Matt Silver	1384 lm
PRA-10011-T4-W40-DI-05	PRAGUE 2 - PRA-10011 - 2x4 LED - 13.9 W - 105°x69° - 4000K - 1-10V - Matt Silver	1466 lm
PRA-10011-T4-W30-ND-01	PRAGUE 2 - PRA-10011 - 2x4 LED - 13.9 W - 105°x69° - 3000K - On/Off - Black	1384 lm
PRA-10011-T4-W40-ND-01	PRAGUE 2 - PRA-10011 - 2x4 LED - 13.9 W - 105°x69° - 4000K - On/Off - Black	1466 lm
PRA-10011-T4-W30-DI-03	PRAGUE 2 - PRA-10011 - 2x4 LED - 13.9 W - 105°x69° - 3000K - 1-10V - White	1384 lm
PRA-10011-T4-W40-DI-03	PRAGUE 2 - PRA-10011 - 2x4 LED - 13.9 W - 105°x69° - 4000K - 1-10V - White	1466 lm
PRA-10011-T4-W30-DA-02	PRAGUE 2 - PRA-10011 - 2x4 LED - 13.9 W - 105°x69° - 3000K - DALI - Dark Grey	1384 lm
PRA-10011-T4-W40-DA-02	PRAGUE 2 - PRA-10011 - 2x4 LED - 13.9 W - 105°x69° - 4000K - DALI - Dark Grey	1466 lm
PRA-10011-T4-W30-DA-06	PRAGUE 2 - PRA-10011 - 2x4 LED - 13.9 W - 105°x69° - 3000K - DALI - Bronze	1384 lm
PRA-10011-T4-W40-DA-06	PRAGUE 2 - PRA-10011 - 2x4 LED - 13.9 W - 105°x69° - 4000K - DALI - Bronze	1466 lm
PRA-10011-T4-W30-ND-03	PRAGUE 2 - PRA-10011 - 2x4 LED - 13.9 W - 105°x69° - 3000K - On/Off - White	1384 lm
PRA-10011-T4-W40-ND-03	PRAGUE 2 - PRA-10011 - 2x4 LED - 13.9 W - 105°x69° - 4000K - On/Off - White	1466 lm
PRA-10011-T4-W30-DA-05	PRAGUE 2 - PRA-10011 - 2x4 LED - 13.9 W - 105°x69° - 3000K - DALI - Matt Silver	1384 lm
PRA-10011-T4-W40-DA-05	PRAGUE 2 - PRA-10011 - 2x4 LED - 13.9 W - 105°x69° - 4000K - DALI - Matt Silver	1466 lm
PRA-10011-T4-W30-ND-06	PRAGUE 2 - PRA-10011 - 2x4 LED - 13.9 W - 105°x69° - 3000K - On/Off - Bronze	1384 lm
PRA-10011-T4-W40-ND-06	PRAGUE 2 - PRA-10011 - 2x4 LED - 13.9 W - 105°x69° - 4000K - On/Off - Bronze	1466 lm
PRA-10011-T4-W30-DI-06	PRAGUE 2 - PRA-10011 - 2x4 LED - 13.9 W - 105°x69° - 3000K - 1-10V - Bronze	1384 lm
PRA-10011-T4-W40-DI-06	PRAGUE 2 - PRA-10011 - 2x4 LED - 13.9 W - 105°x69° - 4000K - 1-10V - Bronze	1466 lm
PRA-10011-M-W40-DA-01	PRAGUE 2 - PRA-10011 - 2x4 LED - 13.9 W - 30° - 4000K - DALI - Black	1660 lm
PRA-10011-M-W30-DA-01	PRAGUE 2 - PRA-10011 - 2x4 LED - 13.9 W - 30° - 3000K - DALI - Black	1568 lm
PRA-10011-M-W40-DA-05	PRAGUE 2 - PRA-10011 - 2x4 LED - 13.9 W - 30° - 4000K - DALI - Matt Silver	1660 lm
PRA-10011-M-W30-DA-05	PRAGUE 2 - PRA-10011 - 2x4 LED - 13.9 W - 30° - 3000K - DALI - Matt Silver	1568 lm
PRA-10011-M-W40-DI-01	PRAGUE 2 - PRA-10011 - 2x4 LED - 13.9 W - 30° - 4000K - 1-10V - Black	1660 lm
PRA-10011-M-W30-DI-01	PRAGUE 2 - PRA-10011 - 2x4 LED - 13.9 W - 30° - 3000K - 1-10V - Black	1568 lm
PRA-10011-M-W40-DA-06	PRAGUE 2 - PRA-10011 - 2x4 LED - 13.9 W - 30° - 4000K - DALI - Bronze	1660 lm
PRA-10011-M-W30-DA-06	PRAGUE 2 - PRA-10011 - 2x4 LED - 13.9 W - 30° - 3000K - DALI - Bronze	1568 lm
PRA-10011-M-W40-DA-03	PRAGUE 2 - PRA-10011 - 2x4 LED - 13.9 W - 30° - 4000K - DALI - White	1660 lm
PRA-10011-M-W30-DA-03	PRAGUE 2 - PRA-10011 - 2x4 LED - 13.9 W - 30° - 3000K - DALI - White	1568 lm
PRA-10011-M-W40-DA-02	PRAGUE 2 - PRA-10011 - 2x4 LED - 13.9 W - 30° - 4000K - DALI - Dark Grey	1660 lm
PRA-10011-M-W30-DA-02	PRAGUE 2 - PRA-10011 - 2x4 LED - 13.9 W - 30° - 3000K - DALI - Dark Grey	1568 lm
PRA-10011-M-W40-DI-03	PRAGUE 2 - PRA-10011 - 2x4 LED - 13.9 W - 30° - 4000K - 1-10V - White	1660 lm
PRA-10011-M-W30-DI-03	PRAGUE 2 - PRA-10011 - 2x4 LED - 13.9 W - 30° - 3000K - 1-10V - White	1568 lm
PRA-10011-M-W40-DI-05	PRAGUE 2 - PRA-10011 - 2x4 LED - 13.9 W - 30° - 4000K - 1-10V - Matt Silver	1660 lm
PRA-10011-M-W30-DI-05	PRAGUE 2 - PRA-10011 - 2x4 LED - 13.9 W - 30° - 3000K - 1-10V - Matt Silver	1568 lm
PRA-10011-M-W40-ND-01	PRAGUE 2 - PRA-10011 - 2x4 LED - 13.9 W - 30° - 4000K - On/Off - Black	1660 lm
PRA-10011-M-W30-ND-01	PRAGUE 2 - PRA-10011 - 2x4 LED - 13.9 W - 30° - 3000K - On/Off - Black	1568 lm
PRA-10011-M-W40-ND-05	PRAGUE 2 - PRA-10011 - 2x4 LED - 13.9 W - 30° - 4000K - On/Off - Matt Silver	1660 lm
PRA-10011-M-W30-ND-05	PRAGUE 2 - PRA-10011 - 2x4 LED - 13.9 W - 30° - 3000K - On/Off - Matt Silver	1568 lm
PRA-10011-M-W40-DI-06	PRAGUE 2 - PRA-10011 - 2x4 LED - 13.9 W - 30° - 4000K - 1-10V - Bronze	1660 lm
PRA-10011-M-W30-DI-06	PRAGUE 2 - PRA-10011 - 2x4 LED - 13.9 W - 30° - 3000K - 1-10V - Bronze	1568 lm
PRA-10011-M-W40-DI-02	PRAGUE 2 - PRA-10011 - 2x4 LED - 13.9 W - 30° - 4000K - 1-10V - Dark Grey	1660 lm
PRA-10011-M-W30-DI-02	PRAGUE 2 - PRA-10011 - 2x4 LED - 13.9 W - 30° - 3000K - 1-10V - Dark Grey	1568 lm
PRA-10011-M-W40-ND-03	PRAGUE 2 - PRA-10011 - 2x4 LED - 13.9 W - 30° - 4000K - On/Off - White	1660 lm
PRA-10011-M-W30-ND-03	PRAGUE 2 - PRA-10011 - 2x4 LED - 13.9 W - 30° - 3000K - On/Off - White	1568 lm
PRA-10011-M-W40-ND-06	PRAGUE 2 - PRA-10011 - 2x4 LED - 13.9 W - 30° - 4000K - On/Off - Bronze	1660 lm

**PRAGUE 2 (PRA-10011)**

PRA-10011-M-W30-ND-06	PRAGUE 2 - PRA-10011 - 2x4 LED - 13.9 W - 30° - 3000K - On/Off - Bronze	1568 lm
PRA-10011-M-W40-ND-02	PRAGUE 2 - PRA-10011 - 2x4 LED - 13.9 W - 30° - 4000K - On/Off - Dark Grey	1660 lm
PRA-10011-M-W30-ND-02	PRAGUE 2 - PRA-10011 - 2x4 LED - 13.9 W - 30° - 3000K - On/Off - Dark Grey	1568 lm
PRA-10011-W-W30-DI-06	PRAGUE 2 - PRA-10011 - 2x4 LED - 13.9 W - 56° - 3000K - 1-10V - Bronze	1582 lm
PRA-10011-W-W40-DI-06	PRAGUE 2 - PRA-10011 - 2x4 LED - 13.9 W - 56° - 4000K - 1-10V - Bronze	1675 lm
PRA-10011-W-W30-DA-06	PRAGUE 2 - PRA-10011 - 2x4 LED - 13.9 W - 56° - 3000K - DALI - Bronze	1582 lm
PRA-10011-W-W40-DA-06	PRAGUE 2 - PRA-10011 - 2x4 LED - 13.9 W - 56° - 4000K - DALI - Bronze	1675 lm
PRA-10011-W-W30-ND-03	PRAGUE 2 - PRA-10011 - 2x4 LED - 13.9 W - 56° - 3000K - On/Off - White	1582 lm
PRA-10011-W-W40-ND-03	PRAGUE 2 - PRA-10011 - 2x4 LED - 13.9 W - 56° - 4000K - On/Off - White	1675 lm
PRA-10011-W-W30-DA-05	PRAGUE 2 - PRA-10011 - 2x4 LED - 13.9 W - 56° - 3000K - DALI - Matt Silver	1582 lm
PRA-10011-W-W40-DA-05	PRAGUE 2 - PRA-10011 - 2x4 LED - 13.9 W - 56° - 4000K - DALI - Matt Silver	1675 lm
PRA-10011-W-W30-ND-06	PRAGUE 2 - PRA-10011 - 2x4 LED - 13.9 W - 56° - 3000K - On/Off - Bronze	1582 lm
PRA-10011-W-W40-ND-06	PRAGUE 2 - PRA-10011 - 2x4 LED - 13.9 W - 56° - 4000K - On/Off - Bronze	1675 lm
PRA-10011-W-W30-ND-01	PRAGUE 2 - PRA-10011 - 2x4 LED - 13.9 W - 56° - 3000K - On/Off - Black	1582 lm
PRA-10011-W-W40-ND-01	PRAGUE 2 - PRA-10011 - 2x4 LED - 13.9 W - 56° - 4000K - On/Off - Black	1675 lm
PRA-10011-W-W30-DI-05	PRAGUE 2 - PRA-10011 - 2x4 LED - 13.9 W - 56° - 3000K - 1-10V - Matt Silver	1582 lm
PRA-10011-W-W40-DI-05	PRAGUE 2 - PRA-10011 - 2x4 LED - 13.9 W - 56° - 4000K - 1-10V - Matt Silver	1675 lm
PRA-10011-W-W30-DA-02	PRAGUE 2 - PRA-10011 - 2x4 LED - 13.9 W - 56° - 3000K - DALI - Dark Grey	1582 lm
PRA-10011-W-W40-DA-02	PRAGUE 2 - PRA-10011 - 2x4 LED - 13.9 W - 56° - 4000K - DALI - Dark Grey	1675 lm
PRA-10011-W-W30-DI-03	PRAGUE 2 - PRA-10011 - 2x4 LED - 13.9 W - 56° - 3000K - 1-10V - White	1582 lm
PRA-10011-W-W40-DI-03	PRAGUE 2 - PRA-10011 - 2x4 LED - 13.9 W - 56° - 4000K - 1-10V - White	1675 lm
PRA-10011-W-W30-DA-01	PRAGUE 2 - PRA-10011 - 2x4 LED - 13.9 W - 56° - 3000K - DALI - Black	1582 lm
PRA-10011-W-W40-DA-01	PRAGUE 2 - PRA-10011 - 2x4 LED - 13.9 W - 56° - 4000K - DALI - Black	1675 lm
PRA-10011-W-W30-ND-02	PRAGUE 2 - PRA-10011 - 2x4 LED - 13.9 W - 56° - 3000K - On/Off - Dark Grey	1582 lm
PRA-10011-W-W40-ND-02	PRAGUE 2 - PRA-10011 - 2x4 LED - 13.9 W - 56° - 4000K - On/Off - Dark Grey	1675 lm
PRA-10011-W-W30-DI-02	PRAGUE 2 - PRA-10011 - 2x4 LED - 13.9 W - 56° - 3000K - 1-10V - Dark Grey	1582 lm
PRA-10011-W-W40-DI-02	PRAGUE 2 - PRA-10011 - 2x4 LED - 13.9 W - 56° - 4000K - 1-10V - Dark Grey	1675 lm
PRA-10011-W-W30-DI-01	PRAGUE 2 - PRA-10011 - 2x4 LED - 13.9 W - 56° - 3000K - 1-10V - Black	1582 lm
PRA-10011-W-W40-DI-01	PRAGUE 2 - PRA-10011 - 2x4 LED - 13.9 W - 56° - 4000K - 1-10V - Black	1675 lm
PRA-10011-W-W30-DA-03	PRAGUE 2 - PRA-10011 - 2x4 LED - 13.9 W - 56° - 3000K - DALI - White	1582 lm
PRA-10011-W-W40-DA-03	PRAGUE 2 - PRA-10011 - 2x4 LED - 13.9 W - 56° - 4000K - DALI - White	1675 lm
PRA-10011-W-W30-ND-05	PRAGUE 2 - PRA-10011 - 2x4 LED - 13.9 W - 56° - 3000K - On/Off - Matt Silver	1582 lm
PRA-10011-W-W40-ND-05	PRAGUE 2 - PRA-10011 - 2x4 LED - 13.9 W - 56° - 4000K - On/Off - Matt Silver	1675 lm
PRA-10011-EW-W30-ND-06	PRAGUE 2 - PRA-10011 - 2x4 LED - 13.9 W - 110°x103° - 3000K - On/Off - Bronze	1503 lm
PRA-10011-EW-W40-ND-06	PRAGUE 2 - PRA-10011 - 2x4 LED - 13.9 W - 110°x103° - 4000K - On/Off - Bronze	1592 lm
PRA-10011-EW-W30-ND-02	PRAGUE 2 - PRA-10011 - 2x4 LED - 13.9 W - 110°x103° - 3000K - On/Off - Dark Grey	1503 lm
PRA-10011-EW-W40-ND-02	PRAGUE 2 - PRA-10011 - 2x4 LED - 13.9 W - 110°x103° - 4000K - On/Off - Dark Grey	1592 lm
PRA-10011-EW-W30-DA-03	PRAGUE 2 - PRA-10011 - 2x4 LED - 13.9 W - 110°x103° - 3000K - DALI - White	1503 lm
PRA-10011-EW-W40-DA-03	PRAGUE 2 - PRA-10011 - 2x4 LED - 13.9 W - 110°x103° - 4000K - DALI - White	1592 lm
PRA-10011-EW-W30-DA-06	PRAGUE 2 - PRA-10011 - 2x4 LED - 13.9 W - 110°x103° - 3000K - DALI - Bronze	1503 lm
PRA-10011-EW-W40-DA-06	PRAGUE 2 - PRA-10011 - 2x4 LED - 13.9 W - 110°x103° - 4000K - DALI - Bronze	1592 lm
PRA-10011-EW-W30-ND-01	PRAGUE 2 - PRA-10011 - 2x4 LED - 13.9 W - 110°x103° - 3000K - On/Off - Black	1503 lm
PRA-10011-EW-W40-ND-01	PRAGUE 2 - PRA-10011 - 2x4 LED - 13.9 W - 110°x103° - 4000K - On/Off - Black	1592 lm
PRA-10011-EW-W30-DI-05	PRAGUE 2 - PRA-10011 - 2x4 LED - 13.9 W - 110°x103° - 3000K - On/Off - Matt Silver	1503 lm
PRA-10011-EW-W40-DI-05	PRAGUE 2 - PRA-10011 - 2x4 LED - 13.9 W - 110°x103° - 4000K - On/Off - Matt Silver	1592 lm
PRA-10011-EW-W30-DI-06	PRAGUE 2 - PRA-10011 - 2x4 LED - 13.9 W - 110°x103° - 3000K - 1-10V - Bronze	1503 lm
PRA-10011-EW-W40-DI-06	PRAGUE 2 - PRA-10011 - 2x4 LED - 13.9 W - 110°x103° - 4000K - 1-10V - Bronze	1592 lm
PRA-10011-EW-W30-DI-01	PRAGUE 2 - PRA-10011 - 2x4 LED - 13.9 W - 110°x103° - 3000K - 1-10V - Black	1503 lm
PRA-10011-EW-W40-DI-01	PRAGUE 2 - PRA-10011 - 2x4 LED - 13.9 W - 110°x103° - 4000K - 1-10V - Black	1592 lm
PRA-10011-EW-W30-DI-02	PRAGUE 2 - PRA-10011 - 2x4 LED - 13.9 W - 110°x103° - 3000K - 1-10V - Dark Grey	1503 lm
PRA-10011-EW-W40-DI-02	PRAGUE 2 - PRA-10011 - 2x4 LED - 13.9 W - 110°x103° - 4000K - 1-10V - Dark Grey	1592 lm
PRA-10011-EW-W30-DI-03	PRAGUE 2 - PRA-10011 - 2x4 LED - 13.9 W - 110°x103° - 3000K - 1-10V - White	1503 lm
PRA-10011-EW-W40-DI-03	PRAGUE 2 - PRA-10011 - 2x4 LED - 13.9 W - 110°x103° - 4000K - 1-10V - White	1592 lm
PRA-10011-EW-W30-DA-02	PRAGUE 2 - PRA-10011 - 2x4 LED - 13.9 W - 110°x103° - 3000K - DALI - Dark Grey	1503 lm
PRA-10011-EW-W40-DA-02	PRAGUE 2 - PRA-10011 - 2x4 LED - 13.9 W - 110°x103° - 4000K - DALI - Dark Grey	1592 lm

Мы оставляем за собой право вносить технические и конструктивные изменения.

07:28, 16-01-2020

<https://www.ligman.com/ru/prague-2-pra-10011/>

Европа  
LIGMAN EUROPE s.r.o.  
VGP Park Ústí nad Labem  
P 2 120  
40317, Přestanov  
Czech Republic  
+420 477 071 500  
[sales.cz@ligman.com](mailto:sales.cz@ligman.com)

Страны азиатско-тихоокеанского региона  
LIGMAN Lighting Co.,Ltd.  
17/2 Moo4 Monthong  
Bangnampreaw  
24150, Chachoengsao  
Thailand  
+66 2 108 6700  
[info@ligman.com](mailto:info@ligman.com)

## PRAGUE 2 (PRA-10011)

PRA-10011-EW-W30-DA-05	PRAGUE 2 - PRA-10011 - 2x4 LED - 13.9 W - 110°x103° - 3000K - DALI - Matt Silver	1503 lm
PRA-10011-EW-W40-DA-05	PRAGUE 2 - PRA-10011 - 2x4 LED - 13.9 W - 110°x103° - 4000K - DALI - Matt Silver	1592 lm
PRA-10011-EW-W30-ND-03	PRAGUE 2 - PRA-10011 - 2x4 LED - 13.9 W - 110°x103° - 3000K - On/Off - White	1503 lm
PRA-10011-EW-W40-ND-03	PRAGUE 2 - PRA-10011 - 2x4 LED - 13.9 W - 110°x103° - 4000K - On/Off - White	1592 lm
PRA-10011-ME-W40-DI-01	PRAGUE 2 - PRA-10011 - 2x4 LED - 13.9 W - 139°x60° - 4000K - 1-10V - Black	1542 lm
PRA-10011-ME-W30-DI-01	PRAGUE 2 - PRA-10011 - 2x4 LED - 13.9 W - 139°x60° - 3000K - 1-10V - Black	1456 lm
PRA-10011-ME-W40-DA-03	PRAGUE 2 - PRA-10011 - 2x4 LED - 13.9 W - 139°x60° - 4000K - DALI - White	1542 lm
PRA-10011-ME-W30-DA-03	PRAGUE 2 - PRA-10011 - 2x4 LED - 13.9 W - 139°x60° - 3000K - DALI - White	1456 lm
PRA-10011-ME-W40-DA-02	PRAGUE 2 - PRA-10011 - 2x4 LED - 13.9 W - 139°x60° - 4000K - DALI - Dark Grey	1542 lm
PRA-10011-ME-W30-DA-02	PRAGUE 2 - PRA-10011 - 2x4 LED - 13.9 W - 139°x60° - 3000K - DALI - Dark Grey	1456 lm
PRA-10011-ME-W40-DI-06	PRAGUE 2 - PRA-10011 - 2x4 LED - 13.9 W - 139°x60° - 4000K - 1-10V - Bronze	1542 lm
PRA-10011-ME-W30-DI-06	PRAGUE 2 - PRA-10011 - 2x4 LED - 13.9 W - 139°x60° - 3000K - 1-10V - Bronze	1456 lm
PRA-10011-ME-W40-DI-02	PRAGUE 2 - PRA-10011 - 2x4 LED - 13.9 W - 139°x60° - 4000K - 1-10V - Dark Grey	1542 lm
PRA-10011-ME-W30-DI-02	PRAGUE 2 - PRA-10011 - 2x4 LED - 13.9 W - 139°x60° - 3000K - 1-10V - Dark Grey	1456 lm
PRA-10011-ME-W40-ND-06	PRAGUE 2 - PRA-10011 - 2x4 LED - 13.9 W - 139°x60° - 4000K - On/Off - Bronze	1542 lm
PRA-10011-ME-W30-ND-06	PRAGUE 2 - PRA-10011 - 2x4 LED - 13.9 W - 139°x60° - 3000K - On/Off - Bronze	1456 lm
PRA-10011-ME-W40-ND-05	PRAGUE 2 - PRA-10011 - 2x4 LED - 13.9 W - 139°x60° - 4000K - On/Off - Matt Silver	1542 lm
PRA-10011-ME-W30-ND-05	PRAGUE 2 - PRA-10011 - 2x4 LED - 13.9 W - 139°x60° - 3000K - On/Off - Matt Silver	1456 lm
PRA-10011-ME-W40-DI-05	PRAGUE 2 - PRA-10011 - 2x4 LED - 13.9 W - 139°x60° - 4000K - 1-10V - Matt Silver	1542 lm
PRA-10011-ME-W30-DI-05	PRAGUE 2 - PRA-10011 - 2x4 LED - 13.9 W - 139°x60° - 3000K - 1-10V - Matt Silver	1456 lm
PRA-10011-ME-W40-DA-05	PRAGUE 2 - PRA-10011 - 2x4 LED - 13.9 W - 139°x60° - 4000K - DALI - Matt Silver	1542 lm
PRA-10011-ME-W30-DA-05	PRAGUE 2 - PRA-10011 - 2x4 LED - 13.9 W - 139°x60° - 3000K - DALI - Matt Silver	1456 lm
PRA-10011-ME-W40-ND-03	PRAGUE 2 - PRA-10011 - 2x4 LED - 13.9 W - 139°x60° - 4000K - On/Off - White	1542 lm
PRA-10011-ME-W30-ND-03	PRAGUE 2 - PRA-10011 - 2x4 LED - 13.9 W - 139°x60° - 3000K - On/Off - White	1456 lm
PRA-10011-ME-W40-ND-01	PRAGUE 2 - PRA-10011 - 2x4 LED - 13.9 W - 139°x60° - 4000K - On/Off - Black	1542 lm
PRA-10011-ME-W30-ND-01	PRAGUE 2 - PRA-10011 - 2x4 LED - 13.9 W - 139°x60° - 3000K - On/Off - Black	1456 lm
PRA-10011-ME-W40-ND-02	PRAGUE 2 - PRA-10011 - 2x4 LED - 13.9 W - 139°x60° - 4000K - On/Off - Dark Grey	1542 lm
PRA-10011-ME-W30-ND-02	PRAGUE 2 - PRA-10011 - 2x4 LED - 13.9 W - 139°x60° - 3000K - On/Off - Dark Grey	1456 lm
PRA-10011-ME-W40-DA-06	PRAGUE 2 - PRA-10011 - 2x4 LED - 13.9 W - 139°x60° - 4000K - DALI - Bronze	1542 lm
PRA-10011-ME-W30-DA-06	PRAGUE 2 - PRA-10011 - 2x4 LED - 13.9 W - 139°x60° - 3000K - DALI - Bronze	1456 lm
PRA-10011-ME-W40-DI-03	PRAGUE 2 - PRA-10011 - 2x4 LED - 13.9 W - 139°x60° - 4000K - 1-10V - White	1542 lm
PRA-10011-ME-W30-DI-03	PRAGUE 2 - PRA-10011 - 2x4 LED - 13.9 W - 139°x60° - 3000K - 1-10V - White	1456 lm
PRA-10011-ME-W40-DA-01	PRAGUE 2 - PRA-10011 - 2x4 LED - 13.9 W - 139°x60° - 4000K - DALI - Black	1542 lm
PRA-10011-ME-W30-DA-01	PRAGUE 2 - PRA-10011 - 2x4 LED - 13.9 W - 139°x60° - 3000K - DALI - Black	1456 lm