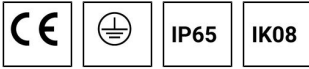


PRAGUE 1 (PRA-10001)

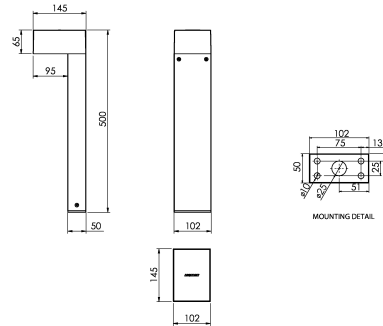


Структура светильника

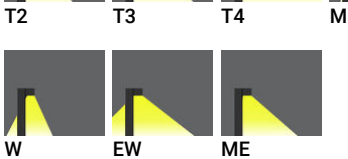
- Корпус из литого алюминия, рама и столб из экструдированного алюминия предварительно обработаны перед нанесением порошкового покрытия, что обеспечивает высокую коррозионную стойкость
- Одинарный кабельный ввод
- Одинарный разъем IP68 поставляется с наружным кабелем 3x1,0 кв.
- Крепеж из нержавеющей стали класса 316
- Прочный уплотнитель из силиконовой резины
- Прозрачное закалённое стекло
- Высокоэффективная оптика из ПММА
- Встроенный механизм управления



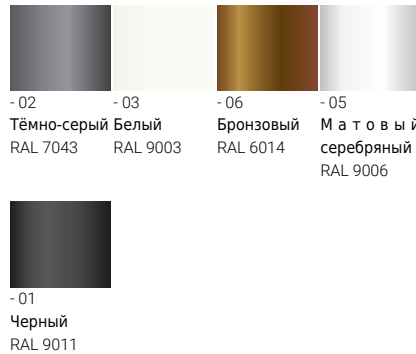
PRAGUE



Символ цвета



Цвет товара



Описание товара

102x50 mm - 500 mm

Техническая информация

Лампа	4 LED
Тип лампы	LED
Тип диммирования	On/Off
ЕЕС	A+
Материал	Aluminium
Вес	3.0 kg

Светильник	
Мощность	7.6 W
Люмен	568 - 855 lm
Эффективность	75 - 113 lm/W
ССТ	3000K, 4000K
Ток возбуждения	500mA

Мы оставляем за собой право вносить технические и конструктивные изменения.

02:23, 15-01-2020

<https://www.ligman.com/ru/prague-1-pra-10001/>

Европа
LIGMAN EUROPE s.r.o.
VGP Park Ústí nad Labem
P 2 120
40317, Přestanov
Czech Republic
+420 477 071 500
sales.cz@ligman.com

Страны азиатско-тихоокеанского региона
LIGMAN Lighting Co.,Ltd.
17/2 Moo4 Monthong
Bangnampreaw
24150, Chachoengsao
Thailand
+66 2 108 6700
info@ligman.com

PRAGUE 1 (PRA-10001)

Оптика	T2 [129°x49°], T3 [112°x80°], T4 [89°x60°], M [30°], W [56°], EW [99°x102°], ME [122°x50°]
--------	---

PRAGUE 1 (PRA-10001)
Аксессуары

 Anchor bolt
A12391

Variant reference	Variant name
PRA-10001-T2-W30-ND-02	PRAGUE 1 - PRA-10001 - 4 LED - 7.6 W - 129°x49° - 3000K - On/Off - Dark Grey
PRA-10001-T2-W40-ND-02	PRAGUE 1 - PRA-10001 - 4 LED - 7.6 W - 129°x49° - 4000K - On/Off - Dark Grey
PRA-10001-T2-W30-ND-03	PRAGUE 1 - PRA-10001 - 4 LED - 7.6 W - 129°x49° - 3000K - On/Off - White
PRA-10001-T2-W40-ND-03	PRAGUE 1 - PRA-10001 - 4 LED - 7.6 W - 129°x49° - 4000K - On/Off - White
PRA-10001-T2-W30-ND-06	PRAGUE 1 - PRA-10001 - 4 LED - 7.6 W - 129°x49° - 3000K - On/Off - Bronze
PRA-10001-T2-W40-ND-06	PRAGUE 1 - PRA-10001 - 4 LED - 7.6 W - 129°x49° - 4000K - On/Off - Bronze
PRA-10001-T2-W30-ND-05	PRAGUE 1 - PRA-10001 - 4 LED - 7.6 W - 129°x49° - 3000K - On/Off - Matt Silver
PRA-10001-T2-W40-ND-05	PRAGUE 1 - PRA-10001 - 4 LED - 7.6 W - 129°x49° - 4000K - On/Off - Matt Silver
PRA-10001-T2-W30-ND-01	PRAGUE 1 - PRA-10001 - 4 LED - 7.6 W - 129°x49° - 3000K - On/Off - Black
PRA-10001-T2-W40-ND-01	PRAGUE 1 - PRA-10001 - 4 LED - 7.6 W - 129°x49° - 4000K - On/Off - Black
PRA-10001-T3-W40-ND-03	PRAGUE 1 - PRA-10001 - 4 LED - 7.6 W - 112°x80° - 4000K - On/Off - White
PRA-10001-T3-W30-ND-03	PRAGUE 1 - PRA-10001 - 4 LED - 7.6 W - 112°x80° - 3000K - On/Off - White
PRA-10001-T3-W40-ND-02	PRAGUE 1 - PRA-10001 - 4 LED - 7.6 W - 112°x80° - 4000K - On/Off - Dark Grey
PRA-10001-T3-W30-ND-02	PRAGUE 1 - PRA-10001 - 4 LED - 7.6 W - 112°x80° - 3000K - On/Off - Dark Grey
PRA-10001-T3-W40-ND-01	PRAGUE 1 - PRA-10001 - 4 LED - 7.6 W - 112°x80° - 4000K - On/Off - Black
PRA-10001-T3-W30-ND-01	PRAGUE 1 - PRA-10001 - 4 LED - 7.6 W - 112°x80° - 3000K - On/Off - Black
PRA-10001-T3-W40-ND-05	PRAGUE 1 - PRA-10001 - 4 LED - 7.6 W - 112°x80° - 4000K - On/Off - Matt Silver
PRA-10001-T3-W30-ND-05	PRAGUE 1 - PRA-10001 - 4 LED - 7.6 W - 112°x80° - 3000K - On/Off - Matt Silver
PRA-10001-T3-W40-ND-06	PRAGUE 1 - PRA-10001 - 4 LED - 7.6 W - 112°x80° - 4000K - On/Off - Bronze
PRA-10001-T3-W30-ND-06	PRAGUE 1 - PRA-10001 - 4 LED - 7.6 W - 112°x80° - 3000K - On/Off - Bronze
PRA-10001-T4-W30-ND-06	PRAGUE 1 - PRA-10001 - 4 LED - 7.6 W - 89°x60° - 3000K - On/Off - Bronze
PRA-10001-T4-W40-ND-06	PRAGUE 1 - PRA-10001 - 4 LED - 7.6 W - 89°x60° - 4000K - On/Off - Bronze
PRA-10001-T4-W30-ND-05	PRAGUE 1 - PRA-10001 - 4 LED - 7.6 W - 89°x60° - 3000K - On/Off - Matt Silver
PRA-10001-T4-W40-ND-05	PRAGUE 1 - PRA-10001 - 4 LED - 7.6 W - 89°x60° - 4000K - On/Off - Matt Silver
PRA-10001-T4-W30-ND-03	PRAGUE 1 - PRA-10001 - 4 LED - 7.6 W - 89°x60° - 3000K - On/Off - White
PRA-10001-T4-W40-ND-03	PRAGUE 1 - PRA-10001 - 4 LED - 7.6 W - 89°x60° - 4000K - On/Off - White
PRA-10001-T4-W30-ND-02	PRAGUE 1 - PRA-10001 - 4 LED - 7.6 W - 89°x60° - 3000K - On/Off - Dark Grey
PRA-10001-T4-W40-ND-02	PRAGUE 1 - PRA-10001 - 4 LED - 7.6 W - 89°x60° - 4000K - On/Off - Dark Grey
PRA-10001-T4-W30-ND-01	PRAGUE 1 - PRA-10001 - 4 LED - 7.6 W - 89°x60° - 3000K - On/Off - Black
PRA-10001-T4-W40-ND-01	PRAGUE 1 - PRA-10001 - 4 LED - 7.6 W - 89°x60° - 4000K - On/Off - Black
PRA-10001-M-W30-ND-05	PRAGUE 1 - PRA-10001 - 4 LED - 7.6 W - 30° - 3000K - On/Off - Matt Silver
PRA-10001-M-W40-ND-05	PRAGUE 1 - PRA-10001 - 4 LED - 7.6 W - 30° - 4000K - On/Off - Matt Silver
PRA-10001-M-W30-ND-01	PRAGUE 1 - PRA-10001 - 4 LED - 7.6 W - 30° - 3000K - On/Off - Black
PRA-10001-M-W40-ND-01	PRAGUE 1 - PRA-10001 - 4 LED - 7.6 W - 30° - 4000K - On/Off - Black
PRA-10001-M-W30-ND-02	PRAGUE 1 - PRA-10001 - 4 LED - 7.6 W - 30° - 3000K - On/Off - Dark Grey
PRA-10001-M-W40-ND-02	PRAGUE 1 - PRA-10001 - 4 LED - 7.6 W - 30° - 4000K - On/Off - Dark Grey
PRA-10001-M-W30-ND-03	PRAGUE 1 - PRA-10001 - 4 LED - 7.6 W - 30° - 3000K - On/Off - White
PRA-10001-M-W40-ND-03	PRAGUE 1 - PRA-10001 - 4 LED - 7.6 W - 30° - 4000K - On/Off - White
PRA-10001-M-W30-ND-06	PRAGUE 1 - PRA-10001 - 4 LED - 7.6 W - 30° - 3000K - On/Off - Bronze
PRA-10001-M-W40-ND-06	PRAGUE 1 - PRA-10001 - 4 LED - 7.6 W - 30° - 4000K - On/Off - Bronze
PRA-10001-W-W30-ND-02	PRAGUE 1 - PRA-10001 - 4 LED - 7.6 W - 56° - 3000K - On/Off - Dark Grey
PRA-10001-W-W40-ND-02	PRAGUE 1 - PRA-10001 - 4 LED - 7.6 W - 56° - 4000K - On/Off - Dark Grey

PRAGUE 1 (PRA-10001)

PRA-10001-W-W30-ND-01	PRAGUE 1 - PRA-10001 - 4 LED - 7.6 W - 56° - 3000K - On/Off - Black
PRA-10001-W-W40-ND-01	PRAGUE 1 - PRA-10001 - 4 LED - 7.6 W - 56° - 4000K - On/Off - Black
PRA-10001-W-W30-ND-06	PRAGUE 1 - PRA-10001 - 4 LED - 7.6 W - 56° - 3000K - On/Off - Bronze
PRA-10001-W-W40-ND-06	PRAGUE 1 - PRA-10001 - 4 LED - 7.6 W - 56° - 4000K - On/Off - Bronze
PRA-10001-W-W30-ND-03	PRAGUE 1 - PRA-10001 - 4 LED - 7.6 W - 56° - 3000K - On/Off - White
PRA-10001-W-W40-ND-03	PRAGUE 1 - PRA-10001 - 4 LED - 7.6 W - 56° - 4000K - On/Off - White
PRA-10001-W-W30-ND-05	PRAGUE 1 - PRA-10001 - 4 LED - 7.6 W - 56° - 3000K - On/Off - Matt Silver
PRA-10001-W-W40-ND-05	PRAGUE 1 - PRA-10001 - 4 LED - 7.6 W - 56° - 4000K - On/Off - Matt Silver
PRA-10001-EW-W30-ND-06	PRAGUE 1 - PRA-10001 - 4 LED - 7.6 W - 99°x102° - 3000K - On/Off - Bronze
PRA-10001-EW-W40-ND-06	PRAGUE 1 - PRA-10001 - 4 LED - 7.6 W - 99°x102° - 4000K - On/Off - Bronze
PRA-10001-EW-W30-ND-03	PRAGUE 1 - PRA-10001 - 4 LED - 7.6 W - 99°x102° - 3000K - On/Off - White
PRA-10001-EW-W40-ND-03	PRAGUE 1 - PRA-10001 - 4 LED - 7.6 W - 99°x102° - 4000K - On/Off - White
PRA-10001-EW-W30-ND-02	PRAGUE 1 - PRA-10001 - 4 LED - 7.6 W - 99°x102° - 3000K - On/Off - Dark Grey
PRA-10001-EW-W40-ND-02	PRAGUE 1 - PRA-10001 - 4 LED - 7.6 W - 99°x102° - 4000K - On/Off - Dark Grey
PRA-10001-EW-W30-ND-01	PRAGUE 1 - PRA-10001 - 4 LED - 7.6 W - 99°x102° - 3000K - On/Off - Black
PRA-10001-EW-W40-ND-01	PRAGUE 1 - PRA-10001 - 4 LED - 7.6 W - 99°x102° - 4000K - On/Off - Black
PRA-10001-EW-W30-ND-05	PRAGUE 1 - PRA-10001 - 4 LED - 7.6 W - 99°x102° - 3000K - On/Off - Matt Silver
PRA-10001-EW-W40-ND-05	PRAGUE 1 - PRA-10001 - 4 LED - 7.6 W - 99°x102° - 4000K - On/Off - Matt Silver
PRA-10001-ME-W30-ND-03	PRAGUE 1 - PRA-10001 - 4 LED - 7.6 W - 122°x50° - 3000K - On/Off - White
PRA-10001-ME-W40-ND-03	PRAGUE 1 - PRA-10001 - 4 LED - 7.6 W - 122°x50° - 4000K - On/Off - White
PRA-10001-ME-W30-ND-01	PRAGUE 1 - PRA-10001 - 4 LED - 7.6 W - 122°x50° - 3000K - On/Off - Black
PRA-10001-ME-W40-ND-01	PRAGUE 1 - PRA-10001 - 4 LED - 7.6 W - 122°x50° - 4000K - On/Off - Black
PRA-10001-ME-W30-ND-06	PRAGUE 1 - PRA-10001 - 4 LED - 7.6 W - 122°x50° - 3000K - On/Off - Bronze
PRA-10001-ME-W40-ND-06	PRAGUE 1 - PRA-10001 - 4 LED - 7.6 W - 122°x50° - 4000K - On/Off - Bronze
PRA-10001-ME-W30-ND-05	PRAGUE 1 - PRA-10001 - 4 LED - 7.6 W - 122°x50° - 3000K - On/Off - Matt Silver
PRA-10001-ME-W40-ND-05	PRAGUE 1 - PRA-10001 - 4 LED - 7.6 W - 122°x50° - 4000K - On/Off - Matt Silver
PRA-10001-ME-W30-ND-02	PRAGUE 1 - PRA-10001 - 4 LED - 7.6 W - 122°x50° - 3000K - On/Off - Dark Grey
PRA-10001-ME-W40-ND-02	PRAGUE 1 - PRA-10001 - 4 LED - 7.6 W - 122°x50° - 4000K - On/Off - Dark Grey