

VEKTER 3 (VK-10002)

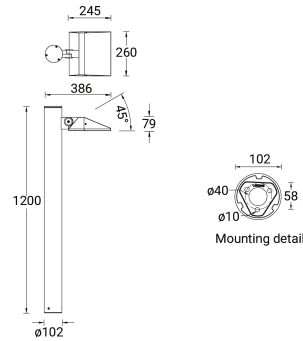


Структура светильника

- Корпус из литого алюминия и столб из экструдированного алюминия предварительно обработаны перед нанесением порошкового покрытия, что обеспечивает высокую коррозионную стойкость
- Одинарный кабельный ввод
- Крепеж из нержавеющей стали класса 316
- Прочный уплотнитель из силиконовой резины
- Высокоэффективная оптика из ПММА
- Встроенный механизм управления



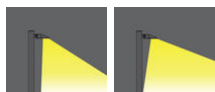
Vektor 3



Символ цвета



M W EW T2



T3 T4

Цвет товара



-06 Бронзовый RAL 6014 -03 Белый RAL 9003 -01 Черный RAL 9011 -02 Тёмно-серый RAL 7043



-05 Матовый серебряный RAL 9006

Описание товара

Ø102 - 1200 mm - 1 side

Техническая информация

Лампа	12 LED
Тип лампы	LED
Тип диммирования	On/Off, DALI
ЕЕС	A++
Материал	Aluminium
Вес	7.5 kg

Светильник	
Мощность	28 W
Люмен	2873 - 3330 lm
Эффективность	103 - 119 lm/W
ССТ	3000K, 4000K
Ток возбуждения	700 mA
Оптика	M [31°], W [53°], EW [119°], T2 [144°x50°], T3 [139°x68°], T4 [97°x77°]

Мы оставляем за собой право вносить технические и конструктивные изменения.

10:11, 17-01-2020

<https://www.ligman.com/ru/vekte-3-vk-10002/>

Европа
LIGMAN EUROPE s.r.o.
VGP Park Ústí nad Labem
P 2 120
40317, Přestanov
Czech Republic
+420 477 071 500
sales.cz@ligman.com

Страны азиатско-тихоокеанского региона
LIGMAN Lighting Co.,Ltd.
17/2 Moo4 Monthong
Bangnampreaw
24150, Chachoengsao
Thailand
+66 2 108 6700
info@ligman.com

VEKTER 3 (VK-10002)**Аксессуары**



Anchor bolt
A10791

VEKTER 3 (VK-10002)

Variant reference	Variant name	Люмен (Светильник)
VK-10002-M-W30-ND-06	VEKTER 3 - VK-10002 - 12 LED - 28 W - 31° - 3000K - On/Off - Bronze	3087 lm
VK-10002-M-W40-ND-06	VEKTER 3 - VK-10002 - 12 LED - 28 W - 31° - 4000K - On/Off - Bronze	3308 lm
VK-10002-M-W30-ND-03	VEKTER 3 - VK-10002 - 12 LED - 28 W - 31° - 3000K - On/Off - White	3087 lm
VK-10002-M-W40-ND-03	VEKTER 3 - VK-10002 - 12 LED - 28 W - 31° - 4000K - On/Off - White	3308 lm
VK-10002-M-W30-ND-01	VEKTER 3 - VK-10002 - 12 LED - 28 W - 31° - 3000K - On/Off - Black	3087 lm
VK-10002-M-W40-ND-01	VEKTER 3 - VK-10002 - 12 LED - 28 W - 31° - 4000K - On/Off - Black	3308 lm
VK-10002-M-W30-ND-02	VEKTER 3 - VK-10002 - 12 LED - 28 W - 31° - 3000K - On/Off - Dark Grey	3087 lm
VK-10002-M-W40-ND-02	VEKTER 3 - VK-10002 - 12 LED - 28 W - 31° - 4000K - On/Off - Dark Grey	3308 lm
VK-10002-M-W30-ND-05	VEKTER 3 - VK-10002 - 12 LED - 28 W - 31° - 3000K - On/Off - Matt Silver	3087 lm
VK-10002-M-W40-ND-05	VEKTER 3 - VK-10002 - 12 LED - 28 W - 31° - 4000K - On/Off - Matt Silver	3308 lm
VK-10002-W-W30-ND-01	VEKTER 3 - VK-10002 - 12 LED - 28 W - 53° - 3000K - On/Off - Black	3080 lm
VK-10002-W-W40-ND-01	VEKTER 3 - VK-10002 - 12 LED - 28 W - 53° - 4000K - On/Off - Black	3301 lm
VK-10002-W-W30-ND-05	VEKTER 3 - VK-10002 - 12 LED - 28 W - 53° - 3000K - On/Off - Matt Silver	3080 lm
VK-10002-W-W40-ND-05	VEKTER 3 - VK-10002 - 12 LED - 28 W - 53° - 4000K - On/Off - Matt Silver	3301 lm
VK-10002-W-W30-ND-03	VEKTER 3 - VK-10002 - 12 LED - 28 W - 53° - 3000K - On/Off - White	3080 lm
VK-10002-W-W40-ND-03	VEKTER 3 - VK-10002 - 12 LED - 28 W - 53° - 4000K - On/Off - White	3301 lm
VK-10002-W-W30-ND-06	VEKTER 3 - VK-10002 - 12 LED - 28 W - 53° - 3000K - On/Off - Bronze	3080 lm
VK-10002-W-W40-ND-06	VEKTER 3 - VK-10002 - 12 LED - 28 W - 53° - 4000K - On/Off - Bronze	3301 lm
VK-10002-W-W30-ND-02	VEKTER 3 - VK-10002 - 12 LED - 28 W - 53° - 3000K - On/Off - Dark Grey	3080 lm
VK-10002-W-W40-ND-02	VEKTER 3 - VK-10002 - 12 LED - 28 W - 53° - 4000K - On/Off - Dark Grey	3301 lm
VK-10002-EW-W40-ND-05	VEKTER 3 - VK-10002 - 12 LED - 28 W - 119° - 4000K - On/Off - Matt Silver	3330 lm
VK-10002-EW-W30-ND-05	VEKTER 3 - VK-10002 - 12 LED - 28 W - 119° - 3000K - On/Off - Matt Silver	3107 lm
VK-10002-EW-W40-ND-06	VEKTER 3 - VK-10002 - 12 LED - 28 W - 119° - 4000K - On/Off - Bronze	3330 lm
VK-10002-EW-W30-ND-06	VEKTER 3 - VK-10002 - 12 LED - 28 W - 119° - 3000K - On/Off - Bronze	3107 lm
VK-10002-EW-W40-ND-01	VEKTER 3 - VK-10002 - 12 LED - 28 W - 119° - 4000K - On/Off - Black	3330 lm
VK-10002-EW-W30-ND-01	VEKTER 3 - VK-10002 - 12 LED - 28 W - 119° - 3000K - On/Off - Black	3107 lm
VK-10002-EW-W40-ND-03	VEKTER 3 - VK-10002 - 12 LED - 28 W - 119° - 4000K - On/Off - White	3330 lm
VK-10002-EW-W30-ND-03	VEKTER 3 - VK-10002 - 12 LED - 28 W - 119° - 3000K - On/Off - White	3107 lm
VK-10002-EW-W40-ND-02	VEKTER 3 - VK-10002 - 12 LED - 28 W - 119° - 4000K - On/Off - Dark Grey	3330 lm
VK-10002-EW-W30-ND-02	VEKTER 3 - VK-10002 - 12 LED - 28 W - 119° - 3000K - On/Off - Dark Grey	3107 lm
VK-10002-T2-W40-ND-02	VEKTER 3 - VK-10002 - 12 LED - 28 W - 144°x50° - 4000K - On/Off - Dark Grey	3114 lm
VK-10002-T2-W30-ND-02	VEKTER 3 - VK-10002 - 12 LED - 28 W - 144°x50° - 3000K - On/Off - Dark Grey	2906 lm
VK-10002-T2-W40-ND-01	VEKTER 3 - VK-10002 - 12 LED - 28 W - 144°x50° - 4000K - On/Off - Black	3114 lm
VK-10002-T2-W30-ND-01	VEKTER 3 - VK-10002 - 12 LED - 28 W - 144°x50° - 3000K - On/Off - Black	2906 lm
VK-10002-T2-W40-ND-06	VEKTER 3 - VK-10002 - 12 LED - 28 W - 144°x50° - 4000K - On/Off - Bronze	3114 lm
VK-10002-T2-W30-ND-06	VEKTER 3 - VK-10002 - 12 LED - 28 W - 144°x50° - 3000K - On/Off - Bronze	2906 lm
VK-10002-T2-W40-ND-05	VEKTER 3 - VK-10002 - 12 LED - 28 W - 144°x50° - 4000K - On/Off - Matt Silver	3114 lm
VK-10002-T2-W30-ND-05	VEKTER 3 - VK-10002 - 12 LED - 28 W - 144°x50° - 3000K - On/Off - Matt Silver	2906 lm
VK-10002-T2-W40-ND-03	VEKTER 3 - VK-10002 - 12 LED - 28 W - 144°x50° - 4000K - On/Off - White	3114 lm
VK-10002-T2-W30-ND-03	VEKTER 3 - VK-10002 - 12 LED - 28 W - 144°x50° - 3000K - On/Off - White	2906 lm
VK-10002-T3-W30-ND-01	VEKTER 3 - VK-10002 - 12 LED - 28 W - 139°x68° - 3000K - On/Off - Black	2894 lm
VK-10002-T3-W40-ND-01	VEKTER 3 - VK-10002 - 12 LED - 28 W - 139°x68° - 4000K - On/Off - Black	3101 lm
VK-10002-T3-W30-ND-06	VEKTER 3 - VK-10002 - 12 LED - 28 W - 139°x68° - 3000K - On/Off - Bronze	2894 lm
VK-10002-T3-W40-ND-06	VEKTER 3 - VK-10002 - 12 LED - 28 W - 139°x68° - 4000K - On/Off - Bronze	3101 lm
VK-10002-T3-W30-ND-05	VEKTER 3 - VK-10002 - 12 LED - 28 W - 139°x68° - 3000K - On/Off - Matt Silver	2894 lm
VK-10002-T3-W40-ND-05	VEKTER 3 - VK-10002 - 12 LED - 28 W - 139°x68° - 4000K - On/Off - Matt Silver	3101 lm
VK-10002-T3-W30-ND-03	VEKTER 3 - VK-10002 - 12 LED - 28 W - 139°x68° - 3000K - On/Off - White	2894 lm
VK-10002-T3-W40-ND-03	VEKTER 3 - VK-10002 - 12 LED - 28 W - 139°x68° - 4000K - On/Off - White	3101 lm
VK-10002-T3-W30-ND-02	VEKTER 3 - VK-10002 - 12 LED - 28 W - 139°x68° - 3000K - On/Off - Dark Grey	2894 lm
VK-10002-T3-W40-ND-02	VEKTER 3 - VK-10002 - 12 LED - 28 W - 139°x68° - 4000K - On/Off - Dark Grey	3101 lm
VK-10002-T4-W40-ND-03	VEKTER 3 - VK-10002 - 12 LED - 28 W - 97°x77° - 4000K - On/Off - White	3079 lm
VK-10002-T4-W30-ND-03	VEKTER 3 - VK-10002 - 12 LED - 28 W - 97°x77° - 3000K - On/Off - White	2873 lm
VK-10002-T4-W40-ND-02	VEKTER 3 - VK-10002 - 12 LED - 28 W - 97°x77° - 4000K - On/Off - Dark Grey	3079 lm
VK-10002-T4-W30-ND-02	VEKTER 3 - VK-10002 - 12 LED - 28 W - 97°x77° - 3000K - On/Off - Dark Grey	2873 lm
VK-10002-T4-W40-ND-06	VEKTER 3 - VK-10002 - 12 LED - 28 W - 97°x77° - 4000K - On/Off - Bronze	3079 lm
VK-10002-T4-W30-ND-06	VEKTER 3 - VK-10002 - 12 LED - 28 W - 97°x77° - 3000K - On/Off - Bronze	2873 lm
VK-10002-T4-W40-ND-01	VEKTER 3 - VK-10002 - 12 LED - 28 W - 97°x77° - 4000K - On/Off - Black	3079 lm
VK-10002-T4-W30-ND-01	VEKTER 3 - VK-10002 - 12 LED - 28 W - 97°x77° - 3000K - On/Off - Black	2873 lm

VEKTER 3 (VK-10002)

VK-10002-T4-W40-ND-05	VEKTER 3 - VK-10002 - 12 LED - 28 W - 97°x77° - 4000K - On/Off - Matt Silver	3079 lm
VK-10002-T4-W30-ND-05	VEKTER 3 - VK-10002 - 12 LED - 28 W - 97°x77° - 3000K - On/Off - Matt Silver	2873 lm
VK-10002-M-W40-DA-03	VEKTER 3 - VK-10002 - 12 LED - 28 W - 31° - 4000K - DALI - White	3308 lm
VK-10002-M-W30-DA-03	VEKTER 3 - VK-10002 - 12 LED - 28 W - 31° - 3000K - DALI - White	3087 lm
VK-10002-M-W40-DA-05	VEKTER 3 - VK-10002 - 12 LED - 28 W - 31° - 4000K - DALI - Matt Silver	3308 lm
VK-10002-M-W30-DA-05	VEKTER 3 - VK-10002 - 12 LED - 28 W - 31° - 3000K - DALI - Matt Silver	3087 lm
VK-10002-M-W40-DA-06	VEKTER 3 - VK-10002 - 12 LED - 28 W - 31° - 4000K - DALI - Bronze	3308 lm
VK-10002-M-W30-DA-06	VEKTER 3 - VK-10002 - 12 LED - 28 W - 31° - 3000K - DALI - Bronze	3087 lm
VK-10002-M-W40-DA-01	VEKTER 3 - VK-10002 - 12 LED - 28 W - 31° - 4000K - DALI - Black	3308 lm
VK-10002-M-W30-DA-01	VEKTER 3 - VK-10002 - 12 LED - 28 W - 31° - 3000K - DALI - Black	3087 lm
VK-10002-M-W40-DA-02	VEKTER 3 - VK-10002 - 12 LED - 28 W - 31° - 4000K - DALI - Dark Grey	3308 lm
VK-10002-M-W30-DA-02	VEKTER 3 - VK-10002 - 12 LED - 28 W - 31° - 3000K - DALI - Dark Grey	3087 lm
VK-10002-W-W40-DA-05	VEKTER 3 - VK-10002 - 12 LED - 28 W - 53° - 4000K - DALI - Matt Silver	3301 lm
VK-10002-W-W30-DA-05	VEKTER 3 - VK-10002 - 12 LED - 28 W - 53° - 3000K - DALI - Matt Silver	3080 lm
VK-10002-W-W40-DA-06	VEKTER 3 - VK-10002 - 12 LED - 28 W - 53° - 4000K - DALI - Bronze	3301 lm
VK-10002-W-W30-DA-06	VEKTER 3 - VK-10002 - 12 LED - 28 W - 53° - 3000K - DALI - Bronze	3080 lm
VK-10002-W-W40-DA-02	VEKTER 3 - VK-10002 - 12 LED - 28 W - 53° - 4000K - DALI - Dark Grey	3301 lm
VK-10002-W-W30-DA-02	VEKTER 3 - VK-10002 - 12 LED - 28 W - 53° - 3000K - DALI - Dark Grey	3080 lm
VK-10002-W-W40-DA-03	VEKTER 3 - VK-10002 - 12 LED - 28 W - 53° - 4000K - DALI - White	3301 lm
VK-10002-W-W30-DA-03	VEKTER 3 - VK-10002 - 12 LED - 28 W - 53° - 3000K - DALI - White	3080 lm
VK-10002-W-W40-DA-01	VEKTER 3 - VK-10002 - 12 LED - 28 W - 53° - 4000K - DALI - Black	3301 lm
VK-10002-W-W30-DA-01	VEKTER 3 - VK-10002 - 12 LED - 28 W - 53° - 3000K - DALI - Black	3080 lm
VK-10002-EW-W40-DA-01	VEKTER 3 - VK-10002 - 12 LED - 28 W - 119° - 4000K - DALI - Black	3330 lm
VK-10002-EW-W30-DA-01	VEKTER 3 - VK-10002 - 12 LED - 28 W - 119° - 3000K - DALI - Black	3107 lm
VK-10002-EW-W40-DA-06	VEKTER 3 - VK-10002 - 12 LED - 28 W - 119° - 4000K - DALI - Bronze	3330 lm
VK-10002-EW-W30-DA-06	VEKTER 3 - VK-10002 - 12 LED - 28 W - 119° - 3000K - DALI - Bronze	3107 lm
VK-10002-EW-W40-DA-03	VEKTER 3 - VK-10002 - 12 LED - 28 W - 119° - 4000K - DALI - White	3330 lm
VK-10002-EW-W30-DA-03	VEKTER 3 - VK-10002 - 12 LED - 28 W - 119° - 3000K - DALI - White	3107 lm
VK-10002-EW-W40-DA-02	VEKTER 3 - VK-10002 - 12 LED - 28 W - 119° - 4000K - DALI - Dark Grey	3330 lm
VK-10002-EW-W30-DA-02	VEKTER 3 - VK-10002 - 12 LED - 28 W - 119° - 3000K - DALI - Dark Grey	3107 lm
VK-10002-EW-W40-DA-05	VEKTER 3 - VK-10002 - 12 LED - 28 W - 119° - 4000K - DALI - Matt Silver	3330 lm
VK-10002-EW-W30-DA-05	VEKTER 3 - VK-10002 - 12 LED - 28 W - 119° - 3000K - DALI - Matt Silver	3107 lm
VK-10002-T2-W30-DA-02	VEKTER 3 - VK-10002 - 12 LED - 28 W - 144°x50° - 3000K - DALI - Dark Grey	2906 lm
VK-10002-T2-W40-DA-02	VEKTER 3 - VK-10002 - 12 LED - 28 W - 144°x50° - 4000K - DALI - Dark Grey	3114 lm
VK-10002-T2-W30-DA-01	VEKTER 3 - VK-10002 - 12 LED - 28 W - 144°x50° - 3000K - DALI - Black	2906 lm
VK-10002-T2-W40-DA-01	VEKTER 3 - VK-10002 - 12 LED - 28 W - 144°x50° - 4000K - DALI - Black	3114 lm
VK-10002-T2-W30-DA-06	VEKTER 3 - VK-10002 - 12 LED - 28 W - 144°x50° - 3000K - DALI - Bronze	2906 lm
VK-10002-T2-W40-DA-06	VEKTER 3 - VK-10002 - 12 LED - 28 W - 144°x50° - 4000K - DALI - Bronze	3114 lm
VK-10002-T2-W30-DA-03	VEKTER 3 - VK-10002 - 12 LED - 28 W - 144°x50° - 3000K - DALI - White	2906 lm
VK-10002-T2-W40-DA-03	VEKTER 3 - VK-10002 - 12 LED - 28 W - 144°x50° - 4000K - DALI - White	3114 lm
VK-10002-T2-W30-DA-05	VEKTER 3 - VK-10002 - 12 LED - 28 W - 144°x50° - 3000K - DALI - Matt Silver	2906 lm
VK-10002-T2-W40-DA-05	VEKTER 3 - VK-10002 - 12 LED - 28 W - 144°x50° - 4000K - DALI - Matt Silver	3114 lm
VK-10002-T3-W30-DA-02	VEKTER 3 - VK-10002 - 12 LED - 28 W - 139°x68° - 3000K - DALI - Dark Grey	2894 lm
VK-10002-T3-W40-DA-02	VEKTER 3 - VK-10002 - 12 LED - 28 W - 139°x68° - 4000K - DALI - Dark Grey	3101 lm
VK-10002-T3-W30-DA-01	VEKTER 3 - VK-10002 - 12 LED - 28 W - 139°x68° - 3000K - DALI - Black	2894 lm
VK-10002-T3-W40-DA-01	VEKTER 3 - VK-10002 - 12 LED - 28 W - 139°x68° - 4000K - DALI - Black	3101 lm
VK-10002-T3-W30-DA-03	VEKTER 3 - VK-10002 - 12 LED - 28 W - 139°x68° - 3000K - DALI - White	2894 lm
VK-10002-T3-W40-DA-03	VEKTER 3 - VK-10002 - 12 LED - 28 W - 139°x68° - 4000K - DALI - White	3101 lm
VK-10002-T3-W30-DA-06	VEKTER 3 - VK-10002 - 12 LED - 28 W - 139°x68° - 3000K - DALI - Bronze	2894 lm
VK-10002-T3-W40-DA-06	VEKTER 3 - VK-10002 - 12 LED - 28 W - 139°x68° - 4000K - DALI - Bronze	3101 lm
VK-10002-T3-W30-DA-05	VEKTER 3 - VK-10002 - 12 LED - 28 W - 139°x68° - 3000K - DALI - Matt Silver	2894 lm
VK-10002-T3-W40-DA-05	VEKTER 3 - VK-10002 - 12 LED - 28 W - 139°x68° - 4000K - DALI - Matt Silver	3101 lm
VK-10002-T4-W40-DA-03	VEKTER 3 - VK-10002 - 12 LED - 28 W - 97°x77° - 4000K - DALI - White	3079 lm
VK-10002-T4-W30-DA-03	VEKTER 3 - VK-10002 - 12 LED - 28 W - 97°x77° - 3000K - DALI - White	2873 lm
VK-10002-T4-W40-DA-06	VEKTER 3 - VK-10002 - 12 LED - 28 W - 97°x77° - 4000K - DALI - Bronze	3079 lm
VK-10002-T4-W30-DA-06	VEKTER 3 - VK-10002 - 12 LED - 28 W - 97°x77° - 3000K - DALI - Bronze	2873 lm
VK-10002-T4-W40-DA-01	VEKTER 3 - VK-10002 - 12 LED - 28 W - 97°x77° - 4000K - DALI - Black	3079 lm
VK-10002-T4-W30-DA-01	VEKTER 3 - VK-10002 - 12 LED - 28 W - 97°x77° - 3000K - DALI - Black	2873 lm
VK-10002-T4-W40-DA-05	VEKTER 3 - VK-10002 - 12 LED - 28 W - 97°x77° - 4000K - DALI - Matt Silver	3079 lm

VEKTER 3 (VK-10002)

VK-10002-T4-W30-DA-05	VEKTER 3 - VK-10002 - 12 LED - 28 W - 97°x77° - 3000K - DALI - Matt Silver	2873 lm
VK-10002-T4-W40-DA-02	VEKTER 3 - VK-10002 - 12 LED - 28 W - 97°x77° - 4000K - DALI - Dark Grey	3079 lm
VK-10002-T4-W30-DA-02	VEKTER 3 - VK-10002 - 12 LED - 28 W - 97°x77° - 3000K - DALI - Dark Grey	2873 lm

Мы оставляем за собой право вносить
технические и конструктивные изменения.

10:11, 17-01-2020

<https://www.ligman.com/ru/vekte-3-vk-10002/>

Европа
LIGMAN EUROPE s.r.o.
VGP Park Ústí nad Labem
P 2 120
40317, Přestanov
Czech Republic
+420 477 071 500
sales.cz@ligman.com

Страны азиатско-тихоокеанского региона
LIGMAN Lighting Co.,Ltd.
17/2 Moo4 Monthong
Bangnampreaw
24150, Chachoengsao
Thailand
+66 2 108 6700
info@ligman.com