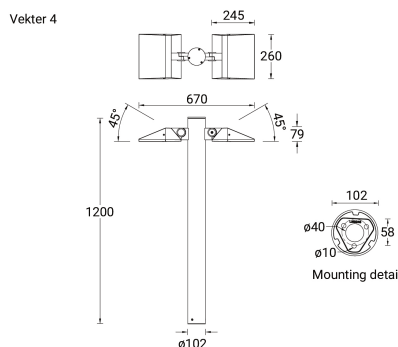
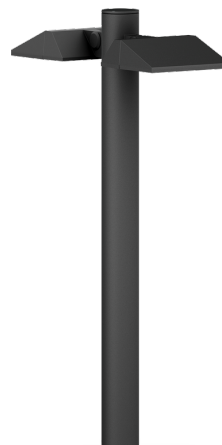


VEKTER 4 (VK-10012)



Структура светильника

- Корпус из литого алюминия и столб из экструдированного алюминия предварительно обработаны перед нанесением порошкового покрытия, что обеспечивает высокую коррозионную стойкость
- Одинарный кабельный ввод
- Крепеж из нержавеющей стали класса 316
- Прочный уплотнитель из силиконовой резины
- Высокоэффективная оптика из ПММА
- Встроенный механизм управления



Символ цвета



M / W W / M EW / T4 T2 / T3



T3 / M T4 / W

Цвет товара



-02 Тёмно-серый RAL 7043 -06 Бронзовый RAL 6014 -03 Белый RAL 9003 -01 Черный RAL 9011



-05 М а т о в ы й серебряный RAL 9006

Описание товара

Ø102 - 1200 mm - 2 sides

Техническая информация

Лампа	12 LED
Тип лампы	LED
Тип диммирования	DALI, On/Off
ЕЕС	A++
Материал	Aluminium
Вес	11.2 kg

Светильник	
Мощность	56 W
Люмен	5746 - 6660 lm
Эффективность	103 - 119 lm/W
ССТ	4000K, 3000K
Ток возбуждения	700 mA
Оптика	M [31°], W [53°], EW [119°], T2 [144°x50°], T3 [139°x68°], T4 [97°x77°]

Мы оставляем за собой право вносить технические и конструктивные изменения.

10:43, 17-01-2020

<https://www.ligman.com/ru/vektek-4-vk-10012/>

Европа
LIGMAN EUROPE s.r.o.
VGP Park Ústí nad Labem
P 2 120
40317, Přestanov
Czech Republic
+420 477 071 500
sales.cz@ligman.com

Страны азиатско-тихоокеанского региона
LIGMAN Lighting Co.,Ltd.
17/2 Moo4 Monthong
Bangnampreaw
24150, Chachoengsao
Thailand
+66 2 108 6700
info@ligman.com

VEKTER 4 (VK-10012)

Оптика (вверх) T2 [144°x50°], T4 [97°x77°],
W [53°], EW [119°], M [31°],
T3 [139°x68°]

VEKTER 4 (VK-10012)Аксессуары



Anchor bolt
A10791

VEKTER 4 (VK-10012)

Variant reference	Variant name	Люмен (Светильник)
VK-10012-M-T2-W40-DA-02	VEKTER 4 - VK-10012 - 2 x 12 LED - 2 x 28 W - 31° - 144°x50° (2 sides) - 4000K - DALI - Dark Grey	6616 lm
VK-10012-M-T2-W30-DA-02	VEKTER 4 - VK-10012 - 2 x 12 LED - 2 x 28 W - 31° - 144°x50° (2 sides) - 3000K - DALI - Dark Grey	6174 lm
VK-10012-M-T2-W40-DA-06	VEKTER 4 - VK-10012 - 2 x 12 LED - 2 x 28 W - 31° - 144°x50° (2 sides) - 4000K - DALI - Bronze	6616 lm
VK-10012-M-T2-W30-DA-06	VEKTER 4 - VK-10012 - 2 x 12 LED - 2 x 28 W - 31° - 144°x50° (2 sides) - 3000K - DALI - Bronze	6174 lm
VK-10012-M-T2-W40-ND-06	VEKTER 4 - VK-10012 - 2 x 12 LED - 2 x 28 W - 31° - 144°x50° (2 sides) - 4000K - On/Off - Bronze	6616 lm
VK-10012-M-T2-W30-ND-06	VEKTER 4 - VK-10012 - 2 x 12 LED - 2 x 28 W - 31° - 144°x50° (2 sides) - 3000K - On/Off - Bronze	6174 lm
VK-10012-M-T2-W40-DA-03	VEKTER 4 - VK-10012 - 2 x 12 LED - 2 x 28 W - 31° - 144°x50° (2 sides) - 4000K - DALI - White	6616 lm
VK-10012-M-T2-W30-DA-03	VEKTER 4 - VK-10012 - 2 x 12 LED - 2 x 28 W - 31° - 144°x50° (2 sides) - 3000K - DALI - White	6174 lm
VK-10012-M-T2-W40-ND-01	VEKTER 4 - VK-10012 - 2 x 12 LED - 2 x 28 W - 31° - 144°x50° (2 sides) - 4000K - On/Off - Black	6616 lm
VK-10012-M-T2-W30-ND-01	VEKTER 4 - VK-10012 - 2 x 12 LED - 2 x 28 W - 31° - 144°x50° (2 sides) - 3000K - On/Off - Black	6174 lm
VK-10012-M-T2-W40-ND-05	VEKTER 4 - VK-10012 - 2 x 12 LED - 2 x 28 W - 31° - 144°x50° (2 sides) - 4000K - On/Off - Matt Silver	6616 lm
VK-10012-M-T2-W30-ND-05	VEKTER 4 - VK-10012 - 2 x 12 LED - 2 x 28 W - 31° - 144°x50° (2 sides) - 3000K - On/Off - Matt Silver	6174 lm
VK-10012-M-T2-W40-ND-02	VEKTER 4 - VK-10012 - 2 x 12 LED - 2 x 28 W - 31° - 144°x50° (2 sides) - 4000K - On/Off - Dark Grey	6616 lm
VK-10012-M-T2-W30-ND-02	VEKTER 4 - VK-10012 - 2 x 12 LED - 2 x 28 W - 31° - 144°x50° (2 sides) - 3000K - On/Off - Dark Grey	6174 lm
VK-10012-M-T2-W40-DA-05	VEKTER 4 - VK-10012 - 2 x 12 LED - 2 x 28 W - 31° - 144°x50° (2 sides) - 4000K - DALI - Matt Silver	6616 lm
VK-10012-M-T2-W30-DA-05	VEKTER 4 - VK-10012 - 2 x 12 LED - 2 x 28 W - 31° - 144°x50° (2 sides) - 3000K - DALI - Matt Silver	6174 lm
VK-10012-M-T2-W40-DA-01	VEKTER 4 - VK-10012 - 2 x 12 LED - 2 x 28 W - 31° - 144°x50° (2 sides) - 4000K - DALI - Black	6616 lm
VK-10012-M-T2-W30-DA-01	VEKTER 4 - VK-10012 - 2 x 12 LED - 2 x 28 W - 31° - 144°x50° (2 sides) - 3000K - DALI - Black	6174 lm
VK-10012-M-T2-W40-ND-03	VEKTER 4 - VK-10012 - 2 x 12 LED - 2 x 28 W - 31° - 144°x50° (2 sides) - 4000K - On/Off - White	6616 lm
VK-10012-M-T2-W30-ND-03	VEKTER 4 - VK-10012 - 2 x 12 LED - 2 x 28 W - 31° - 144°x50° (2 sides) - 3000K - On/Off - White	6174 lm
VK-10012-W-T4-W40-ND-03	VEKTER 4 - VK-10012 - 2 x 12 LED - 2 x 28 W - 53° - 97°x77° (2 sides) - 4000K - On/Off - White	6602 lm
VK-10012-W-T4-W30-ND-03	VEKTER 4 - VK-10012 - 2 x 12 LED - 2 x 28 W - 53° - 97°x77° (2 sides) - 3000K - On/Off - White	6160 lm
VK-10012-W-T4-W40-ND-06	VEKTER 4 - VK-10012 - 2 x 12 LED - 2 x 28 W - 53° - 97°x77° (2 sides) - 4000K - On/Off - Bronze	6602 lm
VK-10012-W-T4-W30-ND-06	VEKTER 4 - VK-10012 - 2 x 12 LED - 2 x 28 W - 53° - 97°x77° (2 sides) - 3000K - On/Off - Bronze	6160 lm
VK-10012-W-T4-W40-ND-05	VEKTER 4 - VK-10012 - 2 x 12 LED - 2 x 28 W - 53° - 97°x77° (2 sides) - 4000K - On/Off - Matt Silver	6602 lm
VK-10012-W-T4-W30-ND-05	VEKTER 4 - VK-10012 - 2 x 12 LED - 2 x 28 W - 53° - 97°x77° (2 sides) - 3000K - On/Off - Matt Silver	6160 lm
VK-10012-W-T4-W40-DA-01	VEKTER 4 - VK-10012 - 2 x 12 LED - 2 x 28 W - 53° - 97°x77° (2 sides) - 4000K - DALI - Black	6602 lm
VK-10012-W-T4-W30-DA-01	VEKTER 4 - VK-10012 - 2 x 12 LED - 2 x 28 W - 53° - 97°x77° (2 sides) - 3000K - DALI - Black	6160 lm
VK-10012-W-T4-W40-DA-02	VEKTER 4 - VK-10012 - 2 x 12 LED - 2 x 28 W - 53° - 97°x77° (2 sides) - 4000K - DALI - Dark Grey	6602 lm
VK-10012-W-T4-W30-DA-02	VEKTER 4 - VK-10012 - 2 x 12 LED - 2 x 28 W - 53° - 97°x77° (2 sides) - 3000K - DALI - Dark Grey	6160 lm
VK-10012-W-T4-W40-DA-05	VEKTER 4 - VK-10012 - 2 x 12 LED - 2 x 28 W - 53° - 97°x77° (2 sides) - 4000K - DALI - Matt Silver	6602 lm
VK-10012-W-T4-W30-DA-05	VEKTER 4 - VK-10012 - 2 x 12 LED - 2 x 28 W - 53° - 97°x77° (2 sides) - 3000K - DALI - Matt Silver	6160 lm
VK-10012-W-T4-W40-DA-03	VEKTER 4 - VK-10012 - 2 x 12 LED - 2 x 28 W - 53° - 97°x77° (2 sides) - 4000K - DALI - White	6602 lm
VK-10012-W-T4-W30-DA-03	VEKTER 4 - VK-10012 - 2 x 12 LED - 2 x 28 W - 53° - 97°x77° (2 sides) - 3000K - DALI - White	6160 lm
VK-10012-W-T4-W40-ND-02	VEKTER 4 - VK-10012 - 2 x 12 LED - 2 x 28 W - 53° - 97°x77° (2 sides) - 4000K - On/Off - Dark Grey	6602 lm
VK-10012-W-T4-W30-ND-02	VEKTER 4 - VK-10012 - 2 x 12 LED - 2 x 28 W - 53° - 97°x77° (2 sides) - 3000K - On/Off - Dark Grey	6160 lm
VK-10012-W-T4-W40-DA-06	VEKTER 4 - VK-10012 - 2 x 12 LED - 2 x 28 W - 53° - 97°x77° (2 sides) - 4000K - DALI - Bronze	6602 lm
VK-10012-W-T4-W30-DA-06	VEKTER 4 - VK-10012 - 2 x 12 LED - 2 x 28 W - 53° - 97°x77° (2 sides) - 3000K - DALI - Bronze	6160 lm
VK-10012-W-T4-W40-ND-01	VEKTER 4 - VK-10012 - 2 x 12 LED - 2 x 28 W - 53° - 97°x77° (2 sides) - 4000K - On/Off - Black	6602 lm
VK-10012-W-T4-W30-ND-01	VEKTER 4 - VK-10012 - 2 x 12 LED - 2 x 28 W - 53° - 97°x77° (2 sides) - 3000K - On/Off - Black	6160 lm
VK-10012-EW-W-W40-ND-03	VEKTER 4 - VK-10012 - 2 x 12 LED - 2 x 28 W - 119° - 53° (2 sides) - 4000K - On/Off - White	6660 lm
VK-10012-EW-W-W30-ND-03	VEKTER 4 - VK-10012 - 2 x 12 LED - 2 x 28 W - 119° - 53° (2 sides) - 3000K - On/Off - White	6214 lm
VK-10012-EW-W-W40-ND-05	VEKTER 4 - VK-10012 - 2 x 12 LED - 2 x 28 W - 119° - 53° (2 sides) - 4000K - On/Off - Matt Silver	6660 lm
VK-10012-EW-W-W30-ND-05	VEKTER 4 - VK-10012 - 2 x 12 LED - 2 x 28 W - 119° - 53° (2 sides) - 3000K - On/Off - Matt Silver	6214 lm
VK-10012-EW-W-W40-ND-06	VEKTER 4 - VK-10012 - 2 x 12 LED - 2 x 28 W - 119° - 53° (2 sides) - 4000K - On/Off - Bronze	6660 lm
VK-10012-EW-W-W30-ND-06	VEKTER 4 - VK-10012 - 2 x 12 LED - 2 x 28 W - 119° - 53° (2 sides) - 3000K - On/Off - Bronze	6214 lm
VK-10012-EW-W-W40-ND-01	VEKTER 4 - VK-10012 - 2 x 12 LED - 2 x 28 W - 119° - 53° (2 sides) - 4000K - On/Off - Black	6660 lm
VK-10012-EW-W-W30-ND-01	VEKTER 4 - VK-10012 - 2 x 12 LED - 2 x 28 W - 119° - 53° (2 sides) - 3000K - On/Off - Black	6214 lm
VK-10012-EW-W-W40-ND-02	VEKTER 4 - VK-10012 - 2 x 12 LED - 2 x 28 W - 119° - 53° (2 sides) - 4000K - On/Off - Dark Grey	6660 lm
VK-10012-EW-W-W30-ND-02	VEKTER 4 - VK-10012 - 2 x 12 LED - 2 x 28 W - 119° - 53° (2 sides) - 3000K - On/Off - Dark Grey	6214 lm
VK-10012-EW-W-W40-DA-02	VEKTER 4 - VK-10012 - 2 x 12 LED - 2 x 28 W - 119° - 53° (2 sides) - 4000K - DALI - Dark Grey	6660 lm
VK-10012-EW-W-W30-DA-02	VEKTER 4 - VK-10012 - 2 x 12 LED - 2 x 28 W - 119° - 53° (2 sides) - 3000K - DALI - Dark Grey	6214 lm
VK-10012-EW-W-W40-DA-05	VEKTER 4 - VK-10012 - 2 x 12 LED - 2 x 28 W - 119° - 53° (2 sides) - 4000K - DALI - Matt Silver	6660 lm
VK-10012-EW-W-W30-DA-05	VEKTER 4 - VK-10012 - 2 x 12 LED - 2 x 28 W - 119° - 53° (2 sides) - 3000K - DALI - Matt Silver	6214 lm
VK-10012-EW-W-W40-DA-03	VEKTER 4 - VK-10012 - 2 x 12 LED - 2 x 28 W - 119° - 53° (2 sides) - 4000K - DALI - White	6660 lm
VK-10012-EW-W-W30-DA-03	VEKTER 4 - VK-10012 - 2 x 12 LED - 2 x 28 W - 119° - 53° (2 sides) - 3000K - DALI - White	6214 lm
VK-10012-EW-W-W40-DA-06	VEKTER 4 - VK-10012 - 2 x 12 LED - 2 x 28 W - 119° - 53° (2 sides) - 4000K - DALI - Bronze	6660 lm
VK-10012-EW-W-W30-DA-06	VEKTER 4 - VK-10012 - 2 x 12 LED - 2 x 28 W - 119° - 53° (2 sides) - 3000K - DALI - Bronze	6214 lm

VEKTER 4 (VK-10012)

VK-10012-EW-W-W40-DA-01	VEKTER 4 - VK-10012 - 2 x 12 LED - 2 x 28 W - 119° - 53° (2 sides) - 4000K - DALI - Black	6660 lm
VK-10012-EW-W-W30-DA-01	VEKTER 4 - VK-10012 - 2 x 12 LED - 2 x 28 W - 119° - 53° (2 sides) - 3000K - DALI - Black	6214 lm
VK-10012-T2-W-W30-DA-01	VEKTER 4 - VK-10012 - 2 x 12 LED - 2 x 28 W - 144°x50° - 53° (2 sides) - 3000K - DALI - Black	5812 lm
VK-10012-T2-W-W40-DA-01	VEKTER 4 - VK-10012 - 2 x 12 LED - 2 x 28 W - 144°x50° - 53° (2 sides) - 4000K - DALI - Black	6228 lm
VK-10012-T2-W-W30-DA-05	VEKTER 4 - VK-10012 - 2 x 12 LED - 2 x 28 W - 144°x50° - 53° (2 sides) - 3000K - DALI - Matt Silver	5812 lm
VK-10012-T2-W-W40-DA-05	VEKTER 4 - VK-10012 - 2 x 12 LED - 2 x 28 W - 144°x50° - 53° (2 sides) - 4000K - DALI - Matt Silver	6228 lm
VK-10012-T2-W-W30-ND-05	VEKTER 4 - VK-10012 - 2 x 12 LED - 2 x 28 W - 144°x50° - 53° (2 sides) - 3000K - On/Off - Matt Silver	5812 lm
VK-10012-T2-W-W40-ND-05	VEKTER 4 - VK-10012 - 2 x 12 LED - 2 x 28 W - 144°x50° - 53° (2 sides) - 4000K - On/Off - Matt Silver	6228 lm
VK-10012-T2-W-W30-DA-03	VEKTER 4 - VK-10012 - 2 x 12 LED - 2 x 28 W - 144°x50° - 53° (2 sides) - 3000K - DALI - White	5812 lm
VK-10012-T2-W-W40-DA-03	VEKTER 4 - VK-10012 - 2 x 12 LED - 2 x 28 W - 144°x50° - 53° (2 sides) - 4000K - DALI - White	6228 lm
VK-10012-T2-W-W30-ND-02	VEKTER 4 - VK-10012 - 2 x 12 LED - 2 x 28 W - 144°x50° - 53° (2 sides) - 3000K - On/Off - Dark Grey	5812 lm
VK-10012-T2-W-W40-ND-02	VEKTER 4 - VK-10012 - 2 x 12 LED - 2 x 28 W - 144°x50° - 53° (2 sides) - 4000K - On/Off - Dark Grey	6228 lm
VK-10012-T2-W-W30-DA-02	VEKTER 4 - VK-10012 - 2 x 12 LED - 2 x 28 W - 144°x50° - 53° (2 sides) - 3000K - DALI - Dark Grey	5812 lm
VK-10012-T2-W-W40-DA-02	VEKTER 4 - VK-10012 - 2 x 12 LED - 2 x 28 W - 144°x50° - 53° (2 sides) - 4000K - DALI - Dark Grey	6228 lm
VK-10012-T2-W-W30-ND-06	VEKTER 4 - VK-10012 - 2 x 12 LED - 2 x 28 W - 144°x50° - 53° (2 sides) - 3000K - On/Off - Bronze	5812 lm
VK-10012-T2-W-W40-ND-06	VEKTER 4 - VK-10012 - 2 x 12 LED - 2 x 28 W - 144°x50° - 53° (2 sides) - 4000K - On/Off - Bronze	6228 lm
VK-10012-T2-W-W30-ND-01	VEKTER 4 - VK-10012 - 2 x 12 LED - 2 x 28 W - 144°x50° - 53° (2 sides) - 3000K - On/Off - Black	5812 lm
VK-10012-T2-W-W40-ND-01	VEKTER 4 - VK-10012 - 2 x 12 LED - 2 x 28 W - 144°x50° - 53° (2 sides) - 4000K - On/Off - Black	6228 lm
VK-10012-T2-W-W30-DA-06	VEKTER 4 - VK-10012 - 2 x 12 LED - 2 x 28 W - 144°x50° - 53° (2 sides) - 3000K - DALI - Bronze	5812 lm
VK-10012-T2-W-W40-DA-06	VEKTER 4 - VK-10012 - 2 x 12 LED - 2 x 28 W - 144°x50° - 53° (2 sides) - 4000K - DALI - Bronze	6228 lm
VK-10012-T2-W-W30-ND-03	VEKTER 4 - VK-10012 - 2 x 12 LED - 2 x 28 W - 144°x50° - 53° (2 sides) - 3000K - On/Off - White	5812 lm
VK-10012-T2-W-W40-ND-03	VEKTER 4 - VK-10012 - 2 x 12 LED - 2 x 28 W - 144°x50° - 53° (2 sides) - 4000K - On/Off - White	6228 lm
VK-10012-T3-T4-W30-ND-01	VEKTER 4 - VK-10012 - 2 x 12 LED - 2 x 28 W - 139°x68° - 97°x77° (2 sides) - 3000K - On/Off - Black	5788 lm
VK-10012-T3-T4-W40-ND-01	VEKTER 4 - VK-10012 - 2 x 12 LED - 2 x 28 W - 139°x68° - 97°x77° (2 sides) - 4000K - On/Off - Black	6202 lm
VK-10012-T3-T4-W30-ND-06	VEKTER 4 - VK-10012 - 2 x 12 LED - 2 x 28 W - 139°x68° - 97°x77° (2 sides) - 3000K - On/Off - Bronze	5788 lm
VK-10012-T3-T4-W40-ND-06	VEKTER 4 - VK-10012 - 2 x 12 LED - 2 x 28 W - 139°x68° - 97°x77° (2 sides) - 4000K - On/Off - Bronze	6202 lm
VK-10012-T3-T4-W30-ND-03	VEKTER 4 - VK-10012 - 2 x 12 LED - 2 x 28 W - 139°x68° - 97°x77° (2 sides) - 3000K - On/Off - White	5788 lm
VK-10012-T3-T4-W40-ND-03	VEKTER 4 - VK-10012 - 2 x 12 LED - 2 x 28 W - 139°x68° - 97°x77° (2 sides) - 4000K - On/Off - White	6202 lm
VK-10012-T3-T4-W30-DA-02	VEKTER 4 - VK-10012 - 2 x 12 LED - 2 x 28 W - 139°x68° - 97°x77° (2 sides) - 3000K - DALI - Dark Grey	5788 lm
VK-10012-T3-T4-W40-DA-02	VEKTER 4 - VK-10012 - 2 x 12 LED - 2 x 28 W - 139°x68° - 97°x77° (2 sides) - 4000K - DALI - Dark Grey	6202 lm
VK-10012-T3-T4-W30-ND-05	VEKTER 4 - VK-10012 - 2 x 12 LED - 2 x 28 W - 139°x68° - 97°x77° (2 sides) - 3000K - On/Off - Matt Silver	5788 lm
VK-10012-T3-T4-W40-ND-05	VEKTER 4 - VK-10012 - 2 x 12 LED - 2 x 28 W - 139°x68° - 97°x77° (2 sides) - 4000K - On/Off - Matt Silver	6202 lm
VK-10012-T3-T4-W30-DA-05	VEKTER 4 - VK-10012 - 2 x 12 LED - 2 x 28 W - 139°x68° - 97°x77° (2 sides) - 3000K - DALI - Matt Silver	5788 lm
VK-10012-T3-T4-W40-DA-05	VEKTER 4 - VK-10012 - 2 x 12 LED - 2 x 28 W - 139°x68° - 97°x77° (2 sides) - 4000K - DALI - Matt Silver	6202 lm
VK-10012-T3-T4-W30-DA-03	VEKTER 4 - VK-10012 - 2 x 12 LED - 2 x 28 W - 139°x68° - 97°x77° (2 sides) - 3000K - DALI - White	5788 lm
VK-10012-T3-T4-W40-DA-03	VEKTER 4 - VK-10012 - 2 x 12 LED - 2 x 28 W - 139°x68° - 97°x77° (2 sides) - 4000K - DALI - White	6202 lm
VK-10012-T3-T4-W30-DA-01	VEKTER 4 - VK-10012 - 2 x 12 LED - 2 x 28 W - 139°x68° - 97°x77° (2 sides) - 3000K - DALI - Black	5788 lm
VK-10012-T3-T4-W40-DA-01	VEKTER 4 - VK-10012 - 2 x 12 LED - 2 x 28 W - 139°x68° - 97°x77° (2 sides) - 4000K - DALI - Black	6202 lm
VK-10012-T3-T4-W30-ND-02	VEKTER 4 - VK-10012 - 2 x 12 LED - 2 x 28 W - 139°x68° - 97°x77° (2 sides) - 3000K - On/Off - Dark Grey	5788 lm
VK-10012-T3-T4-W40-ND-02	VEKTER 4 - VK-10012 - 2 x 12 LED - 2 x 28 W - 139°x68° - 97°x77° (2 sides) - 4000K - On/Off - Dark Grey	6202 lm
VK-10012-T3-T4-W30-DA-06	VEKTER 4 - VK-10012 - 2 x 12 LED - 2 x 28 W - 139°x68° - 97°x77° (2 sides) - 3000K - DALI - Bronze	5788 lm
VK-10012-T3-T4-W40-DA-06	VEKTER 4 - VK-10012 - 2 x 12 LED - 2 x 28 W - 139°x68° - 97°x77° (2 sides) - 4000K - DALI - Bronze	6202 lm
VK-10012-T4-EW-W40-DA-02	VEKTER 4 - VK-10012 - 2 x 12 LED - 2 x 28 W - 97°x77° - 119° (2 sides) - 4000K - DALI - Dark Grey	6158 lm
VK-10012-T4-EW-W30-DA-02	VEKTER 4 - VK-10012 - 2 x 12 LED - 2 x 28 W - 97°x77° - 119° (2 sides) - 3000K - DALI - Dark Grey	5746 lm
VK-10012-T4-EW-W40-ND-02	VEKTER 4 - VK-10012 - 2 x 12 LED - 2 x 28 W - 97°x77° - 119° (2 sides) - 4000K - On/Off - Dark Grey	6158 lm
VK-10012-T4-EW-W30-ND-02	VEKTER 4 - VK-10012 - 2 x 12 LED - 2 x 28 W - 97°x77° - 119° (2 sides) - 3000K - On/Off - Dark Grey	5746 lm
VK-10012-T4-EW-W40-DA-01	VEKTER 4 - VK-10012 - 2 x 12 LED - 2 x 28 W - 97°x77° - 119° (2 sides) - 4000K - DALI - Black	6158 lm
VK-10012-T4-EW-W30-DA-01	VEKTER 4 - VK-10012 - 2 x 12 LED - 2 x 28 W - 97°x77° - 119° (2 sides) - 3000K - DALI - Black	5746 lm
VK-10012-T4-EW-W40-ND-06	VEKTER 4 - VK-10012 - 2 x 12 LED - 2 x 28 W - 97°x77° - 119° (2 sides) - 4000K - On/Off - Bronze	6158 lm
VK-10012-T4-EW-W30-ND-06	VEKTER 4 - VK-10012 - 2 x 12 LED - 2 x 28 W - 97°x77° - 119° (2 sides) - 3000K - On/Off - Bronze	5746 lm
VK-10012-T4-EW-W40-DA-05	VEKTER 4 - VK-10012 - 2 x 12 LED - 2 x 28 W - 97°x77° - 119° (2 sides) - 4000K - DALI - Matt Silver	6158 lm
VK-10012-T4-EW-W30-DA-05	VEKTER 4 - VK-10012 - 2 x 12 LED - 2 x 28 W - 97°x77° - 119° (2 sides) - 3000K - DALI - Matt Silver	5746 lm
VK-10012-T4-EW-W40-DA-06	VEKTER 4 - VK-10012 - 2 x 12 LED - 2 x 28 W - 97°x77° - 119° (2 sides) - 4000K - DALI - Bronze	6158 lm
VK-10012-T4-EW-W30-DA-06	VEKTER 4 - VK-10012 - 2 x 12 LED - 2 x 28 W - 97°x77° - 119° (2 sides) - 3000K - DALI - Bronze	5746 lm
VK-10012-T4-EW-W40-ND-03	VEKTER 4 - VK-10012 - 2 x 12 LED - 2 x 28 W - 97°x77° - 119° (2 sides) - 4000K - On/Off - White	6158 lm
VK-10012-T4-EW-W30-ND-03	VEKTER 4 - VK-10012 - 2 x 12 LED - 2 x 28 W - 97°x77° - 119° (2 sides) - 3000K - On/Off - White	5746 lm
VK-10012-T4-EW-W40-DA-03	VEKTER 4 - VK-10012 - 2 x 12 LED - 2 x 28 W - 97°x77° - 119° (2 sides) - 4000K - DALI - White	6158 lm
VK-10012-T4-EW-W30-DA-03	VEKTER 4 - VK-10012 - 2 x 12 LED - 2 x 28 W - 97°x77° - 119° (2 sides) - 3000K - DALI - White	5746 lm
VK-10012-T4-EW-W40-ND-05	VEKTER 4 - VK-10012 - 2 x 12 LED - 2 x 28 W - 97°x77° - 119° (2 sides) - 4000K - On/Off - Matt Silver	6158 lm

VEKTER 4 (VK-10012)

VK-10012-T4-EW-W30-ND-05	VEKTER 4 - VK-10012 - 2 x 12 LED - 2 x 28 W - 97°x77° - 119° (2 sides) - 3000K - On/Off - Matt Silver	5746 lm
VK-10012-T4-EW-W40-ND-01	VEKTER 4 - VK-10012 - 2 x 12 LED - 2 x 28 W - 97°x77° - 119° (2 sides) - 4000K - On/Off - Black	6158 lm
VK-10012-T4-EW-W30-ND-01	VEKTER 4 - VK-10012 - 2 x 12 LED - 2 x 28 W - 97°x77° - 119° (2 sides) - 3000K - On/Off - Black	5746 lm
VK-10012-EW-T2-W40-ND-05	VEKTER 4 - VK-10012 - 2 x 12 LED - 2 x 28 W - 119° - 144°x50° (2 sides) - 4000K - On/Off - Matt Silver	6660 lm
VK-10012-EW-T2-W30-ND-05	VEKTER 4 - VK-10012 - 2 x 12 LED - 2 x 28 W - 119° - 144°x50° (2 sides) - 3000K - On/Off - Matt Silver	6214 lm
VK-10012-EW-T2-W40-DA-02	VEKTER 4 - VK-10012 - 2 x 12 LED - 2 x 28 W - 119° - 144°x50° (2 sides) - 4000K - DALI - Dark Grey	6660 lm
VK-10012-EW-T2-W30-DA-02	VEKTER 4 - VK-10012 - 2 x 12 LED - 2 x 28 W - 119° - 144°x50° (2 sides) - 3000K - DALI - Dark Grey	6214 lm
VK-10012-EW-T2-W40-ND-06	VEKTER 4 - VK-10012 - 2 x 12 LED - 2 x 28 W - 119° - 144°x50° (2 sides) - 4000K - On/Off - Bronze	6660 lm
VK-10012-EW-T2-W30-ND-06	VEKTER 4 - VK-10012 - 2 x 12 LED - 2 x 28 W - 119° - 144°x50° (2 sides) - 3000K - On/Off - Bronze	6214 lm
VK-10012-EW-T2-W40-ND-01	VEKTER 4 - VK-10012 - 2 x 12 LED - 2 x 28 W - 119° - 144°x50° (2 sides) - 4000K - On/Off - Black	6660 lm
VK-10012-EW-T2-W30-ND-01	VEKTER 4 - VK-10012 - 2 x 12 LED - 2 x 28 W - 119° - 144°x50° (2 sides) - 3000K - On/Off - Black	6214 lm
VK-10012-EW-T2-W40-ND-02	VEKTER 4 - VK-10012 - 2 x 12 LED - 2 x 28 W - 119° - 144°x50° (2 sides) - 4000K - On/Off - Dark Grey	6660 lm
VK-10012-EW-T2-W30-ND-02	VEKTER 4 - VK-10012 - 2 x 12 LED - 2 x 28 W - 119° - 144°x50° (2 sides) - 3000K - On/Off - Dark Grey	6214 lm
VK-10012-EW-T2-W40-DA-01	VEKTER 4 - VK-10012 - 2 x 12 LED - 2 x 28 W - 119° - 144°x50° (2 sides) - 4000K - DALI - Black	6660 lm
VK-10012-EW-T2-W30-DA-01	VEKTER 4 - VK-10012 - 2 x 12 LED - 2 x 28 W - 119° - 144°x50° (2 sides) - 3000K - DALI - Black	6214 lm
VK-10012-EW-T2-W40-DA-03	VEKTER 4 - VK-10012 - 2 x 12 LED - 2 x 28 W - 119° - 144°x50° (2 sides) - 4000K - DALI - White	6660 lm
VK-10012-EW-T2-W30-DA-03	VEKTER 4 - VK-10012 - 2 x 12 LED - 2 x 28 W - 119° - 144°x50° (2 sides) - 3000K - DALI - White	6214 lm
VK-10012-EW-T2-W40-ND-03	VEKTER 4 - VK-10012 - 2 x 12 LED - 2 x 28 W - 119° - 144°x50° (2 sides) - 4000K - On/Off - White	6660 lm
VK-10012-EW-T2-W30-ND-03	VEKTER 4 - VK-10012 - 2 x 12 LED - 2 x 28 W - 119° - 144°x50° (2 sides) - 3000K - On/Off - White	6214 lm
VK-10012-EW-T2-W40-DA-05	VEKTER 4 - VK-10012 - 2 x 12 LED - 2 x 28 W - 119° - 144°x50° (2 sides) - 4000K - DALI - Matt Silver	6660 lm
VK-10012-EW-T2-W30-DA-05	VEKTER 4 - VK-10012 - 2 x 12 LED - 2 x 28 W - 119° - 144°x50° (2 sides) - 3000K - DALI - Matt Silver	6214 lm
VK-10012-EW-T2-W40-DA-06	VEKTER 4 - VK-10012 - 2 x 12 LED - 2 x 28 W - 119° - 144°x50° (2 sides) - 4000K - DALI - Bronze	6660 lm
VK-10012-EW-T2-W30-DA-06	VEKTER 4 - VK-10012 - 2 x 12 LED - 2 x 28 W - 119° - 144°x50° (2 sides) - 3000K - DALI - Bronze	6214 lm
VK-10012-M-T4-W30-ND-06	VEKTER 4 - VK-10012 - 2 x 12 LED - 2 x 28 W - 31° - 97°x77° (2 sides) - 3000K - On/Off - Bronze	6174 lm
VK-10012-M-T4-W40-ND-06	VEKTER 4 - VK-10012 - 2 x 12 LED - 2 x 28 W - 31° - 97°x77° (2 sides) - 4000K - On/Off - Bronze	6616 lm
VK-10012-M-T4-W30-ND-03	VEKTER 4 - VK-10012 - 2 x 12 LED - 2 x 28 W - 31° - 97°x77° (2 sides) - 3000K - On/Off - White	6174 lm
VK-10012-M-T4-W40-ND-03	VEKTER 4 - VK-10012 - 2 x 12 LED - 2 x 28 W - 31° - 97°x77° (2 sides) - 4000K - On/Off - White	6616 lm
VK-10012-M-T4-W30-DA-01	VEKTER 4 - VK-10012 - 2 x 12 LED - 2 x 28 W - 31° - 97°x77° (2 sides) - 3000K - DALI - Black	6174 lm
VK-10012-M-T4-W40-DA-01	VEKTER 4 - VK-10012 - 2 x 12 LED - 2 x 28 W - 31° - 97°x77° (2 sides) - 4000K - DALI - Black	6616 lm
VK-10012-M-T4-W30-DA-06	VEKTER 4 - VK-10012 - 2 x 12 LED - 2 x 28 W - 31° - 97°x77° (2 sides) - 3000K - DALI - Bronze	6174 lm
VK-10012-M-T4-W40-DA-06	VEKTER 4 - VK-10012 - 2 x 12 LED - 2 x 28 W - 31° - 97°x77° (2 sides) - 4000K - DALI - Bronze	6616 lm
VK-10012-M-T4-W30-ND-05	VEKTER 4 - VK-10012 - 2 x 12 LED - 2 x 28 W - 31° - 97°x77° (2 sides) - 3000K - On/Off - Matt Silver	6174 lm
VK-10012-M-T4-W40-ND-05	VEKTER 4 - VK-10012 - 2 x 12 LED - 2 x 28 W - 31° - 97°x77° (2 sides) - 4000K - On/Off - Matt Silver	6616 lm
VK-10012-M-T4-W30-ND-02	VEKTER 4 - VK-10012 - 2 x 12 LED - 2 x 28 W - 31° - 97°x77° (2 sides) - 3000K - On/Off - Dark Grey	6174 lm
VK-10012-M-T4-W40-ND-02	VEKTER 4 - VK-10012 - 2 x 12 LED - 2 x 28 W - 31° - 97°x77° (2 sides) - 4000K - On/Off - Dark Grey	6616 lm
VK-10012-M-T4-W30-DA-05	VEKTER 4 - VK-10012 - 2 x 12 LED - 2 x 28 W - 31° - 97°x77° (2 sides) - 3000K - DALI - Matt Silver	6174 lm
VK-10012-M-T4-W40-DA-05	VEKTER 4 - VK-10012 - 2 x 12 LED - 2 x 28 W - 31° - 97°x77° (2 sides) - 4000K - DALI - Matt Silver	6616 lm
VK-10012-M-T4-W30-DA-03	VEKTER 4 - VK-10012 - 2 x 12 LED - 2 x 28 W - 31° - 97°x77° (2 sides) - 3000K - DALI - White	6174 lm
VK-10012-M-T4-W40-DA-03	VEKTER 4 - VK-10012 - 2 x 12 LED - 2 x 28 W - 31° - 97°x77° (2 sides) - 4000K - DALI - White	6616 lm
VK-10012-M-T4-W30-ND-01	VEKTER 4 - VK-10012 - 2 x 12 LED - 2 x 28 W - 31° - 97°x77° (2 sides) - 3000K - On/Off - Black	6174 lm
VK-10012-M-T4-W40-ND-01	VEKTER 4 - VK-10012 - 2 x 12 LED - 2 x 28 W - 31° - 97°x77° (2 sides) - 4000K - On/Off - Black	6616 lm
VK-10012-M-T4-W30-DA-02	VEKTER 4 - VK-10012 - 2 x 12 LED - 2 x 28 W - 31° - 97°x77° (2 sides) - 3000K - DALI - Dark Grey	6174 lm
VK-10012-M-T4-W40-DA-02	VEKTER 4 - VK-10012 - 2 x 12 LED - 2 x 28 W - 31° - 97°x77° (2 sides) - 4000K - DALI - Dark Grey	6616 lm
VK-10012-T2-M-W30-DA-05	VEKTER 4 - VK-10012 - 2 x 12 LED - 2 x 28 W - 144°x50° - 31° (2 sides) - 3000K - DALI - Matt Silver	5812 lm
VK-10012-T2-M-W40-DA-05	VEKTER 4 - VK-10012 - 2 x 12 LED - 2 x 28 W - 144°x50° - 31° (2 sides) - 4000K - DALI - Matt Silver	6228 lm
VK-10012-T2-M-W30-ND-03	VEKTER 4 - VK-10012 - 2 x 12 LED - 2 x 28 W - 144°x50° - 31° (2 sides) - 3000K - On/Off - White	5812 lm
VK-10012-T2-M-W40-ND-03	VEKTER 4 - VK-10012 - 2 x 12 LED - 2 x 28 W - 144°x50° - 31° (2 sides) - 4000K - On/Off - White	6228 lm
VK-10012-T2-M-W30-ND-05	VEKTER 4 - VK-10012 - 2 x 12 LED - 2 x 28 W - 144°x50° - 31° (2 sides) - 3000K - On/Off - Matt Silver	5812 lm
VK-10012-T2-M-W40-ND-05	VEKTER 4 - VK-10012 - 2 x 12 LED - 2 x 28 W - 144°x50° - 31° (2 sides) - 4000K - On/Off - Matt Silver	6228 lm
VK-10012-T2-M-W30-ND-02	VEKTER 4 - VK-10012 - 2 x 12 LED - 2 x 28 W - 144°x50° - 31° (2 sides) - 3000K - On/Off - Dark Grey	5812 lm
VK-10012-T2-M-W40-ND-02	VEKTER 4 - VK-10012 - 2 x 12 LED - 2 x 28 W - 144°x50° - 31° (2 sides) - 4000K - On/Off - Dark Grey	6228 lm
VK-10012-T2-M-W30-DA-02	VEKTER 4 - VK-10012 - 2 x 12 LED - 2 x 28 W - 144°x50° - 31° (2 sides) - 3000K - DALI - Dark Grey	5812 lm
VK-10012-T2-M-W40-DA-02	VEKTER 4 - VK-10012 - 2 x 12 LED - 2 x 28 W - 144°x50° - 31° (2 sides) - 4000K - DALI - Dark Grey	6228 lm
VK-10012-T2-M-W30-ND-06	VEKTER 4 - VK-10012 - 2 x 12 LED - 2 x 28 W - 144°x50° - 31° (2 sides) - 3000K - On/Off - Bronze	5812 lm
VK-10012-T2-M-W40-ND-06	VEKTER 4 - VK-10012 - 2 x 12 LED - 2 x 28 W - 144°x50° - 31° (2 sides) - 4000K - On/Off - Bronze	6228 lm
VK-10012-T2-M-W30-ND-01	VEKTER 4 - VK-10012 - 2 x 12 LED - 2 x 28 W - 144°x50° - 31° (2 sides) - 3000K - On/Off - Black	5812 lm
VK-10012-T2-M-W40-ND-01	VEKTER 4 - VK-10012 - 2 x 12 LED - 2 x 28 W - 144°x50° - 31° (2 sides) - 4000K - On/Off - Black	6228 lm
VK-10012-T2-M-W30-DA-06	VEKTER 4 - VK-10012 - 2 x 12 LED - 2 x 28 W - 144°x50° - 31° (2 sides) - 3000K - DALI - Bronze	5812 lm
VK-10012-T2-M-W40-DA-06	VEKTER 4 - VK-10012 - 2 x 12 LED - 2 x 28 W - 144°x50° - 31° (2 sides) - 4000K - DALI - Bronze	6228 lm

Мы оставляем за собой право вносить технические и конструктивные изменения.

10:43, 17-01-2020

<https://www.ligman.com/ru/vekter-4-vk-10012/>

Европа
LIGMAN EUROPE s.r.o.
VGP Park Ústí nad Labem
P 2 120
40317, Přestanov
Czech Republic
+420 477 071 500
sales.cz@ligman.com

Страны азиатско-тихоокеанского региона
LIGMAN Lighting Co.,Ltd.
17/2 Moo4 Monthong
Bangnampreaw
24150, Chachoengsao
Thailand
+66 2 108 6700
info@ligman.com

VEKTER 4 (VK-10012)

VK-10012-T2-M-W30-DA-03	VEKTER 4 - VK-10012 - 2 x 12 LED - 2 x 28 W - 144°x50° - 31° (2 sides) - 3000K - DALI - White	5812 lm
VK-10012-T2-M-W40-DA-03	VEKTER 4 - VK-10012 - 2 x 12 LED - 2 x 28 W - 144°x50° - 31° (2 sides) - 4000K - DALI - White	6228 lm
VK-10012-T2-M-W30-DA-01	VEKTER 4 - VK-10012 - 2 x 12 LED - 2 x 28 W - 144°x50° - 31° (2 sides) - 3000K - DALI - Black	5812 lm
VK-10012-T2-M-W40-DA-01	VEKTER 4 - VK-10012 - 2 x 12 LED - 2 x 28 W - 144°x50° - 31° (2 sides) - 4000K - DALI - Black	6228 lm
VK-10012-T3-EW-W40-DA-03	VEKTER 4 - VK-10012 - 2 x 12 LED - 2 x 28 W - 139°x68° - 119° (2 sides) - 4000K - DALI - White	6202 lm
VK-10012-T3-EW-W30-DA-03	VEKTER 4 - VK-10012 - 2 x 12 LED - 2 x 28 W - 139°x68° - 119° (2 sides) - 3000K - DALI - White	5788 lm
VK-10012-T3-EW-W40-DA-05	VEKTER 4 - VK-10012 - 2 x 12 LED - 2 x 28 W - 139°x68° - 119° (2 sides) - 4000K - DALI - Matt Silver	6202 lm
VK-10012-T3-EW-W30-DA-05	VEKTER 4 - VK-10012 - 2 x 12 LED - 2 x 28 W - 139°x68° - 119° (2 sides) - 3000K - DALI - Matt Silver	5788 lm
VK-10012-T3-EW-W40-DA-01	VEKTER 4 - VK-10012 - 2 x 12 LED - 2 x 28 W - 139°x68° - 119° (2 sides) - 4000K - DALI - Black	6202 lm
VK-10012-T3-EW-W30-DA-01	VEKTER 4 - VK-10012 - 2 x 12 LED - 2 x 28 W - 139°x68° - 119° (2 sides) - 3000K - DALI - Black	5788 lm
VK-10012-T3-EW-W40-ND-05	VEKTER 4 - VK-10012 - 2 x 12 LED - 2 x 28 W - 139°x68° - 119° (2 sides) - 4000K - On/Off - Matt Silver	6202 lm
VK-10012-T3-EW-W30-ND-05	VEKTER 4 - VK-10012 - 2 x 12 LED - 2 x 28 W - 139°x68° - 119° (2 sides) - 3000K - On/Off - Matt Silver	5788 lm
VK-10012-T3-EW-W40-ND-03	VEKTER 4 - VK-10012 - 2 x 12 LED - 2 x 28 W - 139°x68° - 119° (2 sides) - 4000K - On/Off - White	6202 lm
VK-10012-T3-EW-W30-ND-03	VEKTER 4 - VK-10012 - 2 x 12 LED - 2 x 28 W - 139°x68° - 119° (2 sides) - 3000K - On/Off - White	5788 lm
VK-10012-T3-EW-W40-ND-01	VEKTER 4 - VK-10012 - 2 x 12 LED - 2 x 28 W - 139°x68° - 119° (2 sides) - 4000K - On/Off - Black	6202 lm
VK-10012-T3-EW-W30-ND-01	VEKTER 4 - VK-10012 - 2 x 12 LED - 2 x 28 W - 139°x68° - 119° (2 sides) - 3000K - On/Off - Black	5788 lm
VK-10012-T3-EW-W40-DA-02	VEKTER 4 - VK-10012 - 2 x 12 LED - 2 x 28 W - 139°x68° - 119° (2 sides) - 4000K - DALI - Dark Grey	6202 lm
VK-10012-T3-EW-W30-DA-02	VEKTER 4 - VK-10012 - 2 x 12 LED - 2 x 28 W - 139°x68° - 119° (2 sides) - 3000K - DALI - Dark Grey	5788 lm
VK-10012-T3-EW-W40-DA-06	VEKTER 4 - VK-10012 - 2 x 12 LED - 2 x 28 W - 139°x68° - 119° (2 sides) - 4000K - DALI - Bronze	6202 lm
VK-10012-T3-EW-W30-DA-06	VEKTER 4 - VK-10012 - 2 x 12 LED - 2 x 28 W - 139°x68° - 119° (2 sides) - 3000K - DALI - Bronze	5788 lm
VK-10012-T3-EW-W40-ND-02	VEKTER 4 - VK-10012 - 2 x 12 LED - 2 x 28 W - 139°x68° - 119° (2 sides) - 4000K - On/Off - Dark Grey	6202 lm
VK-10012-T3-EW-W30-ND-02	VEKTER 4 - VK-10012 - 2 x 12 LED - 2 x 28 W - 139°x68° - 119° (2 sides) - 3000K - On/Off - Dark Grey	5788 lm
VK-10012-T3-EW-W40-ND-06	VEKTER 4 - VK-10012 - 2 x 12 LED - 2 x 28 W - 139°x68° - 119° (2 sides) - 4000K - On/Off - Bronze	6202 lm
VK-10012-T3-EW-W30-ND-06	VEKTER 4 - VK-10012 - 2 x 12 LED - 2 x 28 W - 139°x68° - 119° (2 sides) - 3000K - On/Off - Bronze	5788 lm
VK-10012-T4-M-W40-DA-01	VEKTER 4 - VK-10012 - 2 x 12 LED - 2 x 28 W - 97°x77° - 31° (2 sides) - 4000K - DALI - Black	6158 lm
VK-10012-T4-M-W30-DA-01	VEKTER 4 - VK-10012 - 2 x 12 LED - 2 x 28 W - 97°x77° - 31° (2 sides) - 3000K - DALI - Black	5746 lm
VK-10012-T4-M-W40-DA-06	VEKTER 4 - VK-10012 - 2 x 12 LED - 2 x 28 W - 97°x77° - 31° (2 sides) - 4000K - DALI - Bronze	6158 lm
VK-10012-T4-M-W30-DA-06	VEKTER 4 - VK-10012 - 2 x 12 LED - 2 x 28 W - 97°x77° - 31° (2 sides) - 3000K - DALI - Bronze	5746 lm
VK-10012-T4-M-W40-DA-05	VEKTER 4 - VK-10012 - 2 x 12 LED - 2 x 28 W - 97°x77° - 31° (2 sides) - 4000K - DALI - Matt Silver	6158 lm
VK-10012-T4-M-W30-DA-05	VEKTER 4 - VK-10012 - 2 x 12 LED - 2 x 28 W - 97°x77° - 31° (2 sides) - 3000K - DALI - Matt Silver	5746 lm
VK-10012-T4-M-W40-ND-02	VEKTER 4 - VK-10012 - 2 x 12 LED - 2 x 28 W - 97°x77° - 31° (2 sides) - 4000K - On/Off - Dark Grey	6158 lm
VK-10012-T4-M-W30-ND-02	VEKTER 4 - VK-10012 - 2 x 12 LED - 2 x 28 W - 97°x77° - 31° (2 sides) - 3000K - On/Off - Dark Grey	5746 lm
VK-10012-T4-M-W40-ND-01	VEKTER 4 - VK-10012 - 2 x 12 LED - 2 x 28 W - 97°x77° - 31° (2 sides) - 4000K - On/Off - Black	6158 lm
VK-10012-T4-M-W30-ND-01	VEKTER 4 - VK-10012 - 2 x 12 LED - 2 x 28 W - 97°x77° - 31° (2 sides) - 3000K - On/Off - Black	5746 lm
VK-10012-T4-M-W40-ND-05	VEKTER 4 - VK-10012 - 2 x 12 LED - 2 x 28 W - 97°x77° - 31° (2 sides) - 4000K - On/Off - Matt Silver	6158 lm
VK-10012-T4-M-W30-ND-05	VEKTER 4 - VK-10012 - 2 x 12 LED - 2 x 28 W - 97°x77° - 31° (2 sides) - 3000K - On/Off - Matt Silver	5746 lm
VK-10012-T4-M-W40-ND-06	VEKTER 4 - VK-10012 - 2 x 12 LED - 2 x 28 W - 97°x77° - 31° (2 sides) - 4000K - On/Off - Bronze	6158 lm
VK-10012-T4-M-W30-ND-06	VEKTER 4 - VK-10012 - 2 x 12 LED - 2 x 28 W - 97°x77° - 31° (2 sides) - 3000K - On/Off - Bronze	5746 lm
VK-10012-T4-M-W40-ND-03	VEKTER 4 - VK-10012 - 2 x 12 LED - 2 x 28 W - 97°x77° - 31° (2 sides) - 4000K - On/Off - White	6158 lm
VK-10012-T4-M-W30-ND-03	VEKTER 4 - VK-10012 - 2 x 12 LED - 2 x 28 W - 97°x77° - 31° (2 sides) - 3000K - On/Off - White	5746 lm
VK-10012-T4-M-W40-DA-03	VEKTER 4 - VK-10012 - 2 x 12 LED - 2 x 28 W - 97°x77° - 31° (2 sides) - 4000K - DALI - White	6158 lm
VK-10012-T4-M-W30-DA-03	VEKTER 4 - VK-10012 - 2 x 12 LED - 2 x 28 W - 97°x77° - 31° (2 sides) - 3000K - DALI - White	5746 lm
VK-10012-T4-M-W40-DA-02	VEKTER 4 - VK-10012 - 2 x 12 LED - 2 x 28 W - 97°x77° - 31° (2 sides) - 4000K - DALI - Dark Grey	6158 lm
VK-10012-T4-M-W30-DA-02	VEKTER 4 - VK-10012 - 2 x 12 LED - 2 x 28 W - 97°x77° - 31° (2 sides) - 3000K - DALI - Dark Grey	5746 lm
VK-10012-W-EW-W40-DA-01	VEKTER 4 - VK-10012 - 2 x 12 LED - 2 x 28 W - 53° - 119° (2 sides) - 4000K - DALI - Black	6602 lm
VK-10012-W-EW-W30-DA-01	VEKTER 4 - VK-10012 - 2 x 12 LED - 2 x 28 W - 53° - 119° (2 sides) - 3000K - DALI - Black	6160 lm
VK-10012-W-EW-W40-DA-05	VEKTER 4 - VK-10012 - 2 x 12 LED - 2 x 28 W - 53° - 119° (2 sides) - 4000K - DALI - Matt Silver	6602 lm
VK-10012-W-EW-W30-DA-05	VEKTER 4 - VK-10012 - 2 x 12 LED - 2 x 28 W - 53° - 119° (2 sides) - 3000K - DALI - Matt Silver	6160 lm
VK-10012-W-EW-W40-ND-06	VEKTER 4 - VK-10012 - 2 x 12 LED - 2 x 28 W - 53° - 119° (2 sides) - 4000K - On/Off - Bronze	6602 lm
VK-10012-W-EW-W30-ND-06	VEKTER 4 - VK-10012 - 2 x 12 LED - 2 x 28 W - 53° - 119° (2 sides) - 3000K - On/Off - Bronze	6160 lm
VK-10012-W-EW-W40-ND-03	VEKTER 4 - VK-10012 - 2 x 12 LED - 2 x 28 W - 53° - 119° (2 sides) - 4000K - On/Off - White	6602 lm
VK-10012-W-EW-W30-ND-03	VEKTER 4 - VK-10012 - 2 x 12 LED - 2 x 28 W - 53° - 119° (2 sides) - 3000K - On/Off - White	6160 lm
VK-10012-W-EW-W40-DA-02	VEKTER 4 - VK-10012 - 2 x 12 LED - 2 x 28 W - 53° - 119° (2 sides) - 4000K - DALI - Dark Grey	6602 lm
VK-10012-W-EW-W30-DA-02	VEKTER 4 - VK-10012 - 2 x 12 LED - 2 x 28 W - 53° - 119° (2 sides) - 3000K - DALI - Dark Grey	6160 lm
VK-10012-W-EW-W40-DA-03	VEKTER 4 - VK-10012 - 2 x 12 LED - 2 x 28 W - 53° - 119° (2 sides) - 4000K - DALI - White	6602 lm
VK-10012-W-EW-W30-DA-03	VEKTER 4 - VK-10012 - 2 x 12 LED - 2 x 28 W - 53° - 119° (2 sides) - 3000K - DALI - White	6160 lm
VK-10012-W-EW-W40-DA-06	VEKTER 4 - VK-10012 - 2 x 12 LED - 2 x 28 W - 53° - 119° (2 sides) - 4000K - DALI - Bronze	6602 lm
VK-10012-W-EW-W30-DA-06	VEKTER 4 - VK-10012 - 2 x 12 LED - 2 x 28 W - 53° - 119° (2 sides) - 3000K - DALI - Bronze	6160 lm
VK-10012-W-EW-W40-ND-01	VEKTER 4 - VK-10012 - 2 x 12 LED - 2 x 28 W - 53° - 119° (2 sides) - 4000K - On/Off - Black	6602 lm

Мы оставляем за собой право вносить технические и конструктивные изменения.

10:43, 17-01-2020

<https://www.ligman.com/ru/vekte4-vk-10012/>

Европа
LIGMAN EUROPE s.r.o.
VGP Park Ústí nad Labem
P 2 120
40317, Přestanov
Czech Republic
+420 477 071 500
sales.cz@ligman.com

Страны азиатско-тихоокеанского региона
LIGMAN Lighting Co.,Ltd.
17/2 Moo4 Monthong
Bangnampreaw
24150, Chachoengsao
Thailand
+66 2 108 6700
info@ligman.com

VEKTER 4 (VK-10012)

VK-10012-W-EW-W30-ND-01	VEKTER 4 - VK-10012 - 2 x 12 LED - 2 x 28 W - 53° - 119° (2 sides) - 3000K - On/Off - Black	6160 lm
VK-10012-W-EW-W40-ND-02	VEKTER 4 - VK-10012 - 2 x 12 LED - 2 x 28 W - 53° - 119° (2 sides) - 4000K - On/Off - Dark Grey	6602 lm
VK-10012-W-EW-W30-ND-02	VEKTER 4 - VK-10012 - 2 x 12 LED - 2 x 28 W - 53° - 119° (2 sides) - 3000K - On/Off - Dark Grey	6160 lm
VK-10012-W-EW-W40-ND-05	VEKTER 4 - VK-10012 - 2 x 12 LED - 2 x 28 W - 53° - 119° (2 sides) - 4000K - On/Off - Matt Silver	6602 lm
VK-10012-W-EW-W30-ND-05	VEKTER 4 - VK-10012 - 2 x 12 LED - 2 x 28 W - 53° - 119° (2 sides) - 3000K - On/Off - Matt Silver	6160 lm
VK-10012-EW-M-W30-ND-03	VEKTER 4 - VK-10012 - 2 x 12 LED - 2 x 28 W - 119° - 31° (2 sides) - 3000K - On/Off - White	6214 lm
VK-10012-EW-M-W40-ND-03	VEKTER 4 - VK-10012 - 2 x 12 LED - 2 x 28 W - 119° - 31° (2 sides) - 4000K - On/Off - White	6660 lm
VK-10012-EW-M-W30-DA-05	VEKTER 4 - VK-10012 - 2 x 12 LED - 2 x 28 W - 119° - 31° (2 sides) - 3000K - DALI - Matt Silver	6214 lm
VK-10012-EW-M-W40-DA-05	VEKTER 4 - VK-10012 - 2 x 12 LED - 2 x 28 W - 119° - 31° (2 sides) - 4000K - DALI - Matt Silver	6660 lm
VK-10012-EW-M-W30-DA-01	VEKTER 4 - VK-10012 - 2 x 12 LED - 2 x 28 W - 119° - 31° (2 sides) - 3000K - DALI - Black	6214 lm
VK-10012-EW-M-W40-DA-01	VEKTER 4 - VK-10012 - 2 x 12 LED - 2 x 28 W - 119° - 31° (2 sides) - 4000K - DALI - Black	6660 lm
VK-10012-EW-M-W30-ND-06	VEKTER 4 - VK-10012 - 2 x 12 LED - 2 x 28 W - 119° - 31° (2 sides) - 3000K - On/Off - Bronze	6214 lm
VK-10012-EW-M-W40-ND-06	VEKTER 4 - VK-10012 - 2 x 12 LED - 2 x 28 W - 119° - 31° (2 sides) - 4000K - On/Off - Bronze	6660 lm
VK-10012-EW-M-W30-DA-06	VEKTER 4 - VK-10012 - 2 x 12 LED - 2 x 28 W - 119° - 31° (2 sides) - 3000K - DALI - Bronze	6214 lm
VK-10012-EW-M-W40-DA-06	VEKTER 4 - VK-10012 - 2 x 12 LED - 2 x 28 W - 119° - 31° (2 sides) - 4000K - DALI - Bronze	6660 lm
VK-10012-EW-M-W30-ND-05	VEKTER 4 - VK-10012 - 2 x 12 LED - 2 x 28 W - 119° - 31° (2 sides) - 3000K - On/Off - Matt Silver	6214 lm
VK-10012-EW-M-W40-ND-05	VEKTER 4 - VK-10012 - 2 x 12 LED - 2 x 28 W - 119° - 31° (2 sides) - 4000K - On/Off - Matt Silver	6660 lm
VK-10012-EW-M-W30-ND-02	VEKTER 4 - VK-10012 - 2 x 12 LED - 2 x 28 W - 119° - 31° (2 sides) - 3000K - On/Off - Dark Grey	6214 lm
VK-10012-EW-M-W40-ND-02	VEKTER 4 - VK-10012 - 2 x 12 LED - 2 x 28 W - 119° - 31° (2 sides) - 4000K - On/Off - Dark Grey	6660 lm
VK-10012-EW-M-W30-ND-01	VEKTER 4 - VK-10012 - 2 x 12 LED - 2 x 28 W - 119° - 31° (2 sides) - 3000K - On/Off - Black	6214 lm
VK-10012-EW-M-W40-ND-01	VEKTER 4 - VK-10012 - 2 x 12 LED - 2 x 28 W - 119° - 31° (2 sides) - 4000K - On/Off - Black	6660 lm
VK-10012-EW-M-W30-DA-03	VEKTER 4 - VK-10012 - 2 x 12 LED - 2 x 28 W - 119° - 31° (2 sides) - 3000K - DALI - White	6214 lm
VK-10012-EW-M-W40-DA-03	VEKTER 4 - VK-10012 - 2 x 12 LED - 2 x 28 W - 119° - 31° (2 sides) - 4000K - DALI - White	6660 lm
VK-10012-EW-M-W30-DA-02	VEKTER 4 - VK-10012 - 2 x 12 LED - 2 x 28 W - 119° - 31° (2 sides) - 3000K - DALI - Dark Grey	6214 lm
VK-10012-EW-M-W40-DA-02	VEKTER 4 - VK-10012 - 2 x 12 LED - 2 x 28 W - 119° - 31° (2 sides) - 4000K - DALI - Dark Grey	6660 lm
VK-10012-M-M-W30-ND-03	VEKTER 4 - VK-10012 - 2 x 12 LED - 2 x 28 W - 31° - 31° (2 sides) - 3000K - On/Off - White	6174 lm
VK-10012-M-M-W40-ND-03	VEKTER 4 - VK-10012 - 2 x 12 LED - 2 x 28 W - 31° - 31° (2 sides) - 4000K - On/Off - White	6616 lm
VK-10012-M-M-W30-ND-05	VEKTER 4 - VK-10012 - 2 x 12 LED - 2 x 28 W - 31° - 31° (2 sides) - 3000K - On/Off - Matt Silver	6174 lm
VK-10012-M-M-W40-ND-05	VEKTER 4 - VK-10012 - 2 x 12 LED - 2 x 28 W - 31° - 31° (2 sides) - 4000K - On/Off - Matt Silver	6616 lm
VK-10012-M-M-W30-DA-01	VEKTER 4 - VK-10012 - 2 x 12 LED - 2 x 28 W - 31° - 31° (2 sides) - 3000K - DALI - Black	6174 lm
VK-10012-M-M-W40-DA-01	VEKTER 4 - VK-10012 - 2 x 12 LED - 2 x 28 W - 31° - 31° (2 sides) - 4000K - DALI - Black	6616 lm
VK-10012-M-M-W30-ND-02	VEKTER 4 - VK-10012 - 2 x 12 LED - 2 x 28 W - 31° - 31° (2 sides) - 3000K - On/Off - Dark Grey	6174 lm
VK-10012-M-M-W40-ND-02	VEKTER 4 - VK-10012 - 2 x 12 LED - 2 x 28 W - 31° - 31° (2 sides) - 4000K - On/Off - Dark Grey	6616 lm
VK-10012-M-M-W30-DA-03	VEKTER 4 - VK-10012 - 2 x 12 LED - 2 x 28 W - 31° - 31° (2 sides) - 3000K - DALI - White	6174 lm
VK-10012-M-M-W40-DA-03	VEKTER 4 - VK-10012 - 2 x 12 LED - 2 x 28 W - 31° - 31° (2 sides) - 4000K - DALI - White	6616 lm
VK-10012-M-M-W30-DA-02	VEKTER 4 - VK-10012 - 2 x 12 LED - 2 x 28 W - 31° - 31° (2 sides) - 3000K - DALI - Dark Grey	6174 lm
VK-10012-M-M-W40-DA-02	VEKTER 4 - VK-10012 - 2 x 12 LED - 2 x 28 W - 31° - 31° (2 sides) - 4000K - DALI - Dark Grey	6616 lm
VK-10012-M-M-W30-DA-06	VEKTER 4 - VK-10012 - 2 x 12 LED - 2 x 28 W - 31° - 31° (2 sides) - 3000K - DALI - Bronze	6174 lm
VK-10012-M-M-W40-DA-06	VEKTER 4 - VK-10012 - 2 x 12 LED - 2 x 28 W - 31° - 31° (2 sides) - 4000K - DALI - Bronze	6616 lm
VK-10012-M-M-W30-DA-05	VEKTER 4 - VK-10012 - 2 x 12 LED - 2 x 28 W - 31° - 31° (2 sides) - 3000K - DALI - Matt Silver	6174 lm
VK-10012-M-M-W40-DA-05	VEKTER 4 - VK-10012 - 2 x 12 LED - 2 x 28 W - 31° - 31° (2 sides) - 4000K - DALI - Matt Silver	6616 lm
VK-10012-M-M-W30-ND-06	VEKTER 4 - VK-10012 - 2 x 12 LED - 2 x 28 W - 31° - 31° (2 sides) - 3000K - On/Off - Bronze	6174 lm
VK-10012-M-M-W40-ND-06	VEKTER 4 - VK-10012 - 2 x 12 LED - 2 x 28 W - 31° - 31° (2 sides) - 4000K - On/Off - Bronze	6616 lm
VK-10012-M-M-W30-ND-01	VEKTER 4 - VK-10012 - 2 x 12 LED - 2 x 28 W - 31° - 31° (2 sides) - 3000K - On/Off - Black	6174 lm
VK-10012-M-M-W40-ND-01	VEKTER 4 - VK-10012 - 2 x 12 LED - 2 x 28 W - 31° - 31° (2 sides) - 4000K - On/Off - Black	6616 lm
VK-10012-T2-EW-W30-DA-01	VEKTER 4 - VK-10012 - 2 x 12 LED - 2 x 28 W - 144°x50° - 119° (2 sides) - 3000K - DALI - Black	5812 lm
VK-10012-T2-EW-W40-DA-01	VEKTER 4 - VK-10012 - 2 x 12 LED - 2 x 28 W - 144°x50° - 119° (2 sides) - 4000K - DALI - Black	6228 lm
VK-10012-T2-EW-W30-DA-05	VEKTER 4 - VK-10012 - 2 x 12 LED - 2 x 28 W - 144°x50° - 119° (2 sides) - 3000K - DALI - Matt Silver	5812 lm
VK-10012-T2-EW-W40-DA-05	VEKTER 4 - VK-10012 - 2 x 12 LED - 2 x 28 W - 144°x50° - 119° (2 sides) - 4000K - DALI - Matt Silver	6228 lm
VK-10012-T2-EW-W30-ND-06	VEKTER 4 - VK-10012 - 2 x 12 LED - 2 x 28 W - 144°x50° - 119° (2 sides) - 3000K - On/Off - Bronze	5812 lm
VK-10012-T2-EW-W40-ND-06	VEKTER 4 - VK-10012 - 2 x 12 LED - 2 x 28 W - 144°x50° - 119° (2 sides) - 4000K - On/Off - Bronze	6228 lm
VK-10012-T2-EW-W30-ND-03	VEKTER 4 - VK-10012 - 2 x 12 LED - 2 x 28 W - 144°x50° - 119° (2 sides) - 3000K - On/Off - White	5812 lm
VK-10012-T2-EW-W40-ND-03	VEKTER 4 - VK-10012 - 2 x 12 LED - 2 x 28 W - 144°x50° - 119° (2 sides) - 4000K - On/Off - White	6228 lm
VK-10012-T2-EW-W30-ND-01	VEKTER 4 - VK-10012 - 2 x 12 LED - 2 x 28 W - 144°x50° - 119° (2 sides) - 3000K - On/Off - Black	5812 lm
VK-10012-T2-EW-W40-ND-01	VEKTER 4 - VK-10012 - 2 x 12 LED - 2 x 28 W - 144°x50° - 119° (2 sides) - 4000K - On/Off - Black	6228 lm
VK-10012-T2-EW-W30-DA-02	VEKTER 4 - VK-10012 - 2 x 12 LED - 2 x 28 W - 144°x50° - 119° (2 sides) - 3000K - DALI - Dark Grey	5812 lm
VK-10012-T2-EW-W40-DA-02	VEKTER 4 - VK-10012 - 2 x 12 LED - 2 x 28 W - 144°x50° - 119° (2 sides) - 4000K - DALI - Dark Grey	6228 lm
VK-10012-T2-EW-W30-DA-03	VEKTER 4 - VK-10012 - 2 x 12 LED - 2 x 28 W - 144°x50° - 119° (2 sides) - 3000K - DALI - White	5812 lm
VK-10012-T2-EW-W40-DA-03	VEKTER 4 - VK-10012 - 2 x 12 LED - 2 x 28 W - 144°x50° - 119° (2 sides) - 4000K - DALI - White	6228 lm

VEKTER 4 (VK-10012)

VK-10012-T2-EW-W30-ND-05	VEKTER 4 - VK-10012 - 2 x 12 LED - 2 x 28 W - 144°x50° - 119° (2 sides) - 3000K - On/Off - Matt Silver	5812 lm
VK-10012-T2-EW-W40-ND-05	VEKTER 4 - VK-10012 - 2 x 12 LED - 2 x 28 W - 144°x50° - 119° (2 sides) - 4000K - On/Off - Matt Silver	6228 lm
VK-10012-T2-EW-W30-ND-02	VEKTER 4 - VK-10012 - 2 x 12 LED - 2 x 28 W - 144°x50° - 119° (2 sides) - 3000K - On/Off - Dark Grey	5812 lm
VK-10012-T2-EW-W40-ND-02	VEKTER 4 - VK-10012 - 2 x 12 LED - 2 x 28 W - 144°x50° - 119° (2 sides) - 4000K - On/Off - Dark Grey	6228 lm
VK-10012-T2-EW-W30-DA-06	VEKTER 4 - VK-10012 - 2 x 12 LED - 2 x 28 W - 144°x50° - 119° (2 sides) - 3000K - DALI - Bronze	5812 lm
VK-10012-T2-EW-W40-DA-06	VEKTER 4 - VK-10012 - 2 x 12 LED - 2 x 28 W - 144°x50° - 119° (2 sides) - 4000K - DALI - Bronze	6228 lm
VK-10012-T3-T2-W40-ND-01	VEKTER 4 - VK-10012 - 2 x 12 LED - 2 x 28 W - 139°x68° - 144°x50° (2 sides) - 4000K - On/Off - Black	6202 lm
VK-10012-T3-T2-W30-ND-01	VEKTER 4 - VK-10012 - 2 x 12 LED - 2 x 28 W - 139°x68° - 144°x50° (2 sides) - 3000K - On/Off - Black	5788 lm
VK-10012-T3-T2-W40-DA-03	VEKTER 4 - VK-10012 - 2 x 12 LED - 2 x 28 W - 139°x68° - 144°x50° (2 sides) - 4000K - DALI - White	6202 lm
VK-10012-T3-T2-W30-DA-03	VEKTER 4 - VK-10012 - 2 x 12 LED - 2 x 28 W - 139°x68° - 144°x50° (2 sides) - 3000K - DALI - White	5788 lm
VK-10012-T3-T2-W40-ND-02	VEKTER 4 - VK-10012 - 2 x 12 LED - 2 x 28 W - 139°x68° - 144°x50° (2 sides) - 4000K - On/Off - Dark Grey	6202 lm
VK-10012-T3-T2-W30-ND-02	VEKTER 4 - VK-10012 - 2 x 12 LED - 2 x 28 W - 139°x68° - 144°x50° (2 sides) - 3000K - On/Off - Dark Grey	5788 lm
VK-10012-T3-T2-W40-DA-01	VEKTER 4 - VK-10012 - 2 x 12 LED - 2 x 28 W - 139°x68° - 144°x50° (2 sides) - 4000K - DALI - Black	6202 lm
VK-10012-T3-T2-W30-DA-01	VEKTER 4 - VK-10012 - 2 x 12 LED - 2 x 28 W - 139°x68° - 144°x50° (2 sides) - 3000K - DALI - Black	5788 lm
VK-10012-T3-T2-W40-DA-02	VEKTER 4 - VK-10012 - 2 x 12 LED - 2 x 28 W - 139°x68° - 144°x50° (2 sides) - 4000K - DALI - Dark Grey	6202 lm
VK-10012-T3-T2-W30-DA-02	VEKTER 4 - VK-10012 - 2 x 12 LED - 2 x 28 W - 139°x68° - 144°x50° (2 sides) - 3000K - DALI - Dark Grey	5788 lm
VK-10012-T3-T2-W40-DA-06	VEKTER 4 - VK-10012 - 2 x 12 LED - 2 x 28 W - 139°x68° - 144°x50° (2 sides) - 4000K - DALI - Bronze	6202 lm
VK-10012-T3-T2-W30-DA-06	VEKTER 4 - VK-10012 - 2 x 12 LED - 2 x 28 W - 139°x68° - 144°x50° (2 sides) - 3000K - DALI - Bronze	5788 lm
VK-10012-T3-T2-W40-ND-06	VEKTER 4 - VK-10012 - 2 x 12 LED - 2 x 28 W - 139°x68° - 144°x50° (2 sides) - 4000K - On/Off - Bronze	6202 lm
VK-10012-T3-T2-W30-ND-06	VEKTER 4 - VK-10012 - 2 x 12 LED - 2 x 28 W - 139°x68° - 144°x50° (2 sides) - 3000K - On/Off - Bronze	5788 lm
VK-10012-T3-T2-W40-DA-05	VEKTER 4 - VK-10012 - 2 x 12 LED - 2 x 28 W - 139°x68° - 144°x50° (2 sides) - 4000K - DALI - Matt Silver	6202 lm
VK-10012-T3-T2-W30-DA-05	VEKTER 4 - VK-10012 - 2 x 12 LED - 2 x 28 W - 139°x68° - 144°x50° (2 sides) - 3000K - DALI - Matt Silver	5788 lm
VK-10012-T3-T2-W40-ND-03	VEKTER 4 - VK-10012 - 2 x 12 LED - 2 x 28 W - 139°x68° - 144°x50° (2 sides) - 4000K - On/Off - White	6202 lm
VK-10012-T3-T2-W30-ND-03	VEKTER 4 - VK-10012 - 2 x 12 LED - 2 x 28 W - 139°x68° - 144°x50° (2 sides) - 3000K - On/Off - White	5788 lm
VK-10012-T3-T2-W40-ND-05	VEKTER 4 - VK-10012 - 2 x 12 LED - 2 x 28 W - 139°x68° - 144°x50° (2 sides) - 4000K - On/Off - Matt Silver	6202 lm
VK-10012-T3-T2-W30-ND-05	VEKTER 4 - VK-10012 - 2 x 12 LED - 2 x 28 W - 139°x68° - 144°x50° (2 sides) - 3000K - On/Off - Matt Silver	5788 lm
VK-10012-T4-T2-W40-DA-05	VEKTER 4 - VK-10012 - 2 x 12 LED - 2 x 28 W - 97°x77° - 144°x50° (2 sides) - 4000K - DALI - Matt Silver	6158 lm
VK-10012-T4-T2-W30-DA-05	VEKTER 4 - VK-10012 - 2 x 12 LED - 2 x 28 W - 97°x77° - 144°x50° (2 sides) - 3000K - DALI - Matt Silver	5746 lm
VK-10012-T4-T2-W40-ND-01	VEKTER 4 - VK-10012 - 2 x 12 LED - 2 x 28 W - 97°x77° - 144°x50° (2 sides) - 4000K - On/Off - Black	6158 lm
VK-10012-T4-T2-W30-ND-01	VEKTER 4 - VK-10012 - 2 x 12 LED - 2 x 28 W - 97°x77° - 144°x50° (2 sides) - 3000K - On/Off - Black	5746 lm
VK-10012-T4-T2-W40-DA-01	VEKTER 4 - VK-10012 - 2 x 12 LED - 2 x 28 W - 97°x77° - 144°x50° (2 sides) - 4000K - DALI - Black	6158 lm
VK-10012-T4-T2-W30-DA-01	VEKTER 4 - VK-10012 - 2 x 12 LED - 2 x 28 W - 97°x77° - 144°x50° (2 sides) - 3000K - DALI - Black	5746 lm
VK-10012-T4-T2-W40-ND-02	VEKTER 4 - VK-10012 - 2 x 12 LED - 2 x 28 W - 97°x77° - 144°x50° (2 sides) - 4000K - On/Off - Dark Grey	6158 lm
VK-10012-T4-T2-W30-ND-02	VEKTER 4 - VK-10012 - 2 x 12 LED - 2 x 28 W - 97°x77° - 144°x50° (2 sides) - 3000K - On/Off - Dark Grey	5746 lm
VK-10012-T4-T2-W40-ND-05	VEKTER 4 - VK-10012 - 2 x 12 LED - 2 x 28 W - 97°x77° - 144°x50° (2 sides) - 4000K - On/Off - Matt Silver	6158 lm
VK-10012-T4-T2-W30-ND-05	VEKTER 4 - VK-10012 - 2 x 12 LED - 2 x 28 W - 97°x77° - 144°x50° (2 sides) - 3000K - On/Off - Matt Silver	5746 lm
VK-10012-T4-T2-W40-ND-03	VEKTER 4 - VK-10012 - 2 x 12 LED - 2 x 28 W - 97°x77° - 144°x50° (2 sides) - 4000K - On/Off - White	6158 lm
VK-10012-T4-T2-W30-ND-03	VEKTER 4 - VK-10012 - 2 x 12 LED - 2 x 28 W - 97°x77° - 144°x50° (2 sides) - 3000K - On/Off - White	5746 lm
VK-10012-T4-T2-W40-DA-06	VEKTER 4 - VK-10012 - 2 x 12 LED - 2 x 28 W - 97°x77° - 144°x50° (2 sides) - 4000K - DALI - Bronze	6158 lm
VK-10012-T4-T2-W30-DA-06	VEKTER 4 - VK-10012 - 2 x 12 LED - 2 x 28 W - 97°x77° - 144°x50° (2 sides) - 3000K - DALI - Bronze	5746 lm
VK-10012-T4-T2-W40-DA-02	VEKTER 4 - VK-10012 - 2 x 12 LED - 2 x 28 W - 97°x77° - 144°x50° (2 sides) - 4000K - DALI - Dark Grey	6158 lm
VK-10012-T4-T2-W30-DA-02	VEKTER 4 - VK-10012 - 2 x 12 LED - 2 x 28 W - 97°x77° - 144°x50° (2 sides) - 3000K - DALI - Dark Grey	5746 lm
VK-10012-T4-T2-W40-ND-06	VEKTER 4 - VK-10012 - 2 x 12 LED - 2 x 28 W - 97°x77° - 144°x50° (2 sides) - 4000K - On/Off - Bronze	6158 lm
VK-10012-T4-T2-W30-ND-06	VEKTER 4 - VK-10012 - 2 x 12 LED - 2 x 28 W - 97°x77° - 144°x50° (2 sides) - 3000K - On/Off - Bronze	5746 lm
VK-10012-T4-T2-W40-DA-03	VEKTER 4 - VK-10012 - 2 x 12 LED - 2 x 28 W - 97°x77° - 144°x50° (2 sides) - 4000K - DALI - White	6158 lm
VK-10012-T4-T2-W30-DA-03	VEKTER 4 - VK-10012 - 2 x 12 LED - 2 x 28 W - 97°x77° - 144°x50° (2 sides) - 3000K - DALI - White	5746 lm
VK-10012-W-W-W40-ND-02	VEKTER 4 - VK-10012 - 2 x 12 LED - 2 x 28 W - 53° - 53° (2 sides) - 4000K - On/Off - Dark Grey	6602 lm
VK-10012-W-W-W30-ND-02	VEKTER 4 - VK-10012 - 2 x 12 LED - 2 x 28 W - 53° - 53° (2 sides) - 3000K - On/Off - Dark Grey	6160 lm
VK-10012-W-W-W40-DA-06	VEKTER 4 - VK-10012 - 2 x 12 LED - 2 x 28 W - 53° - 53° (2 sides) - 4000K - DALI - Bronze	6602 lm
VK-10012-W-W-W30-DA-06	VEKTER 4 - VK-10012 - 2 x 12 LED - 2 x 28 W - 53° - 53° (2 sides) - 3000K - DALI - Bronze	6160 lm
VK-10012-W-W-W40-DA-01	VEKTER 4 - VK-10012 - 2 x 12 LED - 2 x 28 W - 53° - 53° (2 sides) - 4000K - DALI - Black	6602 lm
VK-10012-W-W-W30-DA-01	VEKTER 4 - VK-10012 - 2 x 12 LED - 2 x 28 W - 53° - 53° (2 sides) - 3000K - DALI - Black	6160 lm
VK-10012-W-W-W40-DA-03	VEKTER 4 - VK-10012 - 2 x 12 LED - 2 x 28 W - 53° - 53° (2 sides) - 4000K - DALI - White	6602 lm
VK-10012-W-W-W30-DA-03	VEKTER 4 - VK-10012 - 2 x 12 LED - 2 x 28 W - 53° - 53° (2 sides) - 3000K - DALI - White	6160 lm
VK-10012-W-W-W40-ND-05	VEKTER 4 - VK-10012 - 2 x 12 LED - 2 x 28 W - 53° - 53° (2 sides) - 4000K - On/Off - Matt Silver	6602 lm

VEKTER 4 (VK-10012)

VK-10012-W-W-W30-ND-05	VEKTER 4 - VK-10012 - 2 x 12 LED - 2 x 28 W - 53° - 53° (2 sides) - 3000K - On/Off - Matt Silver	6160 lm
VK-10012-W-W-W40-DA-05	VEKTER 4 - VK-10012 - 2 x 12 LED - 2 x 28 W - 53° - 53° (2 sides) - 4000K - DALI - Matt Silver	6602 lm
VK-10012-W-W-W30-DA-05	VEKTER 4 - VK-10012 - 2 x 12 LED - 2 x 28 W - 53° - 53° (2 sides) - 3000K - DALI - Matt Silver	6160 lm
VK-10012-W-W-W40-ND-06	VEKTER 4 - VK-10012 - 2 x 12 LED - 2 x 28 W - 53° - 53° (2 sides) - 4000K - On/Off - Bronze	6602 lm
VK-10012-W-W-W30-ND-06	VEKTER 4 - VK-10012 - 2 x 12 LED - 2 x 28 W - 53° - 53° (2 sides) - 3000K - On/Off - Bronze	6160 lm
VK-10012-W-W-W40-DA-02	VEKTER 4 - VK-10012 - 2 x 12 LED - 2 x 28 W - 53° - 53° (2 sides) - 4000K - DALI - Dark Grey	6602 lm
VK-10012-W-W-W30-DA-02	VEKTER 4 - VK-10012 - 2 x 12 LED - 2 x 28 W - 53° - 53° (2 sides) - 3000K - DALI - Dark Grey	6160 lm
VK-10012-W-W-W40-ND-03	VEKTER 4 - VK-10012 - 2 x 12 LED - 2 x 28 W - 53° - 53° (2 sides) - 4000K - On/Off - White	6602 lm
VK-10012-W-W-W30-ND-03	VEKTER 4 - VK-10012 - 2 x 12 LED - 2 x 28 W - 53° - 53° (2 sides) - 3000K - On/Off - White	6160 lm
VK-10012-W-W-W40-ND-01	VEKTER 4 - VK-10012 - 2 x 12 LED - 2 x 28 W - 53° - 53° (2 sides) - 4000K - On/Off - Black	6602 lm
VK-10012-W-W-W30-ND-01	VEKTER 4 - VK-10012 - 2 x 12 LED - 2 x 28 W - 53° - 53° (2 sides) - 3000K - On/Off - Black	6160 lm
VK-10012-EW-T3-W30-DA-01	VEKTER 4 - VK-10012 - 2 x 12 LED - 2 x 28 W - 119° - 139°x68° (2 sides) - 3000K - DALI - Black	6214 lm
VK-10012-EW-T3-W40-DA-01	VEKTER 4 - VK-10012 - 2 x 12 LED - 2 x 28 W - 119° - 139°x68° (2 sides) - 4000K - DALI - Black	6660 lm
VK-10012-EW-T3-W30-DA-02	VEKTER 4 - VK-10012 - 2 x 12 LED - 2 x 28 W - 119° - 139°x68° (2 sides) - 3000K - DALI - Dark Grey	6214 lm
VK-10012-EW-T3-W40-DA-02	VEKTER 4 - VK-10012 - 2 x 12 LED - 2 x 28 W - 119° - 139°x68° (2 sides) - 4000K - DALI - Dark Grey	6660 lm
VK-10012-EW-T3-W30-DA-03	VEKTER 4 - VK-10012 - 2 x 12 LED - 2 x 28 W - 119° - 139°x68° (2 sides) - 3000K - DALI - White	6214 lm
VK-10012-EW-T3-W40-DA-03	VEKTER 4 - VK-10012 - 2 x 12 LED - 2 x 28 W - 119° - 139°x68° (2 sides) - 4000K - DALI - White	6660 lm
VK-10012-EW-T3-W30-DA-06	VEKTER 4 - VK-10012 - 2 x 12 LED - 2 x 28 W - 119° - 139°x68° (2 sides) - 3000K - DALI - Bronze	6214 lm
VK-10012-EW-T3-W40-DA-06	VEKTER 4 - VK-10012 - 2 x 12 LED - 2 x 28 W - 119° - 139°x68° (2 sides) - 4000K - DALI - Bronze	6660 lm
VK-10012-EW-T3-W30-ND-01	VEKTER 4 - VK-10012 - 2 x 12 LED - 2 x 28 W - 119° - 139°x68° (2 sides) - 3000K - On/Off - Black	6214 lm
VK-10012-EW-T3-W40-ND-01	VEKTER 4 - VK-10012 - 2 x 12 LED - 2 x 28 W - 119° - 139°x68° (2 sides) - 4000K - On/Off - Black	6660 lm
VK-10012-EW-T3-W30-ND-05	VEKTER 4 - VK-10012 - 2 x 12 LED - 2 x 28 W - 119° - 139°x68° (2 sides) - 3000K - On/Off - Matt Silver	6214 lm
VK-10012-EW-T3-W40-ND-05	VEKTER 4 - VK-10012 - 2 x 12 LED - 2 x 28 W - 119° - 139°x68° (2 sides) - 4000K - On/Off - Matt Silver	6660 lm
VK-10012-EW-T3-W30-DA-05	VEKTER 4 - VK-10012 - 2 x 12 LED - 2 x 28 W - 119° - 139°x68° (2 sides) - 3000K - DALI - Matt Silver	6214 lm
VK-10012-EW-T3-W40-DA-05	VEKTER 4 - VK-10012 - 2 x 12 LED - 2 x 28 W - 119° - 139°x68° (2 sides) - 4000K - DALI - Matt Silver	6660 lm
VK-10012-EW-T3-W30-ND-06	VEKTER 4 - VK-10012 - 2 x 12 LED - 2 x 28 W - 119° - 139°x68° (2 sides) - 3000K - On/Off - Bronze	6214 lm
VK-10012-EW-T3-W40-ND-06	VEKTER 4 - VK-10012 - 2 x 12 LED - 2 x 28 W - 119° - 139°x68° (2 sides) - 4000K - On/Off - Bronze	6660 lm
VK-10012-EW-T3-W30-ND-03	VEKTER 4 - VK-10012 - 2 x 12 LED - 2 x 28 W - 119° - 139°x68° (2 sides) - 3000K - On/Off - White	6214 lm
VK-10012-EW-T3-W40-ND-03	VEKTER 4 - VK-10012 - 2 x 12 LED - 2 x 28 W - 119° - 139°x68° (2 sides) - 4000K - On/Off - White	6660 lm
VK-10012-EW-T3-W30-ND-02	VEKTER 4 - VK-10012 - 2 x 12 LED - 2 x 28 W - 119° - 139°x68° (2 sides) - 3000K - On/Off - Dark Grey	6214 lm
VK-10012-EW-T3-W40-ND-02	VEKTER 4 - VK-10012 - 2 x 12 LED - 2 x 28 W - 119° - 139°x68° (2 sides) - 4000K - On/Off - Dark Grey	6660 lm
VK-10012-M-EW-W30-ND-03	VEKTER 4 - VK-10012 - 2 x 12 LED - 2 x 28 W - 31° - 119° (2 sides) - 3000K - On/Off - White	6174 lm
VK-10012-M-EW-W40-ND-03	VEKTER 4 - VK-10012 - 2 x 12 LED - 2 x 28 W - 31° - 119° (2 sides) - 4000K - On/Off - White	6616 lm
VK-10012-M-EW-W30-DA-01	VEKTER 4 - VK-10012 - 2 x 12 LED - 2 x 28 W - 31° - 119° (2 sides) - 3000K - DALI - Black	6174 lm
VK-10012-M-EW-W40-DA-01	VEKTER 4 - VK-10012 - 2 x 12 LED - 2 x 28 W - 31° - 119° (2 sides) - 4000K - DALI - Black	6616 lm
VK-10012-M-EW-W30-DA-06	VEKTER 4 - VK-10012 - 2 x 12 LED - 2 x 28 W - 31° - 119° (2 sides) - 3000K - DALI - Bronze	6174 lm
VK-10012-M-EW-W40-DA-06	VEKTER 4 - VK-10012 - 2 x 12 LED - 2 x 28 W - 31° - 119° (2 sides) - 4000K - DALI - Bronze	6616 lm
VK-10012-M-EW-W30-DA-02	VEKTER 4 - VK-10012 - 2 x 12 LED - 2 x 28 W - 31° - 119° (2 sides) - 3000K - DALI - Dark Grey	6174 lm
VK-10012-M-EW-W40-DA-02	VEKTER 4 - VK-10012 - 2 x 12 LED - 2 x 28 W - 31° - 119° (2 sides) - 4000K - DALI - Dark Grey	6616 lm
VK-10012-M-EW-W30-DA-03	VEKTER 4 - VK-10012 - 2 x 12 LED - 2 x 28 W - 31° - 119° (2 sides) - 3000K - DALI - White	6174 lm
VK-10012-M-EW-W40-DA-03	VEKTER 4 - VK-10012 - 2 x 12 LED - 2 x 28 W - 31° - 119° (2 sides) - 4000K - DALI - White	6616 lm
VK-10012-M-EW-W30-ND-05	VEKTER 4 - VK-10012 - 2 x 12 LED - 2 x 28 W - 31° - 119° (2 sides) - 3000K - On/Off - Matt Silver	6174 lm
VK-10012-M-EW-W40-ND-05	VEKTER 4 - VK-10012 - 2 x 12 LED - 2 x 28 W - 31° - 119° (2 sides) - 4000K - On/Off - Matt Silver	6616 lm
VK-10012-M-EW-W30-ND-01	VEKTER 4 - VK-10012 - 2 x 12 LED - 2 x 28 W - 31° - 119° (2 sides) - 3000K - On/Off - Black	6174 lm
VK-10012-M-EW-W40-ND-01	VEKTER 4 - VK-10012 - 2 x 12 LED - 2 x 28 W - 31° - 119° (2 sides) - 4000K - On/Off - Black	6616 lm
VK-10012-M-EW-W30-DA-05	VEKTER 4 - VK-10012 - 2 x 12 LED - 2 x 28 W - 31° - 119° (2 sides) - 3000K - DALI - Matt Silver	6174 lm
VK-10012-M-EW-W40-DA-05	VEKTER 4 - VK-10012 - 2 x 12 LED - 2 x 28 W - 31° - 119° (2 sides) - 4000K - DALI - Matt Silver	6616 lm
VK-10012-M-EW-W30-ND-06	VEKTER 4 - VK-10012 - 2 x 12 LED - 2 x 28 W - 31° - 119° (2 sides) - 3000K - On/Off - Bronze	6174 lm
VK-10012-M-EW-W40-ND-06	VEKTER 4 - VK-10012 - 2 x 12 LED - 2 x 28 W - 31° - 119° (2 sides) - 4000K - On/Off - Bronze	6616 lm
VK-10012-M-EW-W30-ND-02	VEKTER 4 - VK-10012 - 2 x 12 LED - 2 x 28 W - 31° - 119° (2 sides) - 3000K - On/Off - Dark Grey	6174 lm
VK-10012-M-EW-W40-ND-02	VEKTER 4 - VK-10012 - 2 x 12 LED - 2 x 28 W - 31° - 119° (2 sides) - 4000K - On/Off - Dark Grey	6616 lm
VK-10012-T2-T2-W30-ND-02	VEKTER 4 - VK-10012 - 2 x 12 LED - 2 x 28 W - 144°x50° - 144°x50° (2 sides) - 3000K - On/Off - Dark Grey	5812 lm
VK-10012-T2-T2-W40-ND-02	VEKTER 4 - VK-10012 - 2 x 12 LED - 2 x 28 W - 144°x50° - 144°x50° (2 sides) - 4000K - On/Off - Dark Grey	6228 lm
VK-10012-T2-T2-W30-DA-05	VEKTER 4 - VK-10012 - 2 x 12 LED - 2 x 28 W - 144°x50° - 144°x50° (2 sides) - 3000K - DALI - Matt Silver	5812 lm
VK-10012-T2-T2-W40-DA-05	VEKTER 4 - VK-10012 - 2 x 12 LED - 2 x 28 W - 144°x50° - 144°x50° (2 sides) - 4000K - DALI - Matt Silver	6228 lm
VK-10012-T2-T2-W30-ND-01	VEKTER 4 - VK-10012 - 2 x 12 LED - 2 x 28 W - 144°x50° - 144°x50° (2 sides) - 3000K - On/Off - Black	5812 lm
VK-10012-T2-T2-W40-ND-01	VEKTER 4 - VK-10012 - 2 x 12 LED - 2 x 28 W - 144°x50° - 144°x50° (2 sides) - 4000K - On/Off - Black	6228 lm

VEKTER 4 (VK-10012)

VK-10012-T2-T2-W30-DA-02	VEKTER 4 - VK-10012 - 2 x 12 LED - 2 x 28 W - 144°x50° - 144°x50° (2 sides) - 3000K - DALI - Dark Grey	5812 lm
VK-10012-T2-T2-W40-DA-02	VEKTER 4 - VK-10012 - 2 x 12 LED - 2 x 28 W - 144°x50° - 144°x50° (2 sides) - 4000K - DALI - Dark Grey	6228 lm
VK-10012-T2-T2-W30-DA-03	VEKTER 4 - VK-10012 - 2 x 12 LED - 2 x 28 W - 144°x50° - 144°x50° (2 sides) - 3000K - DALI - White	5812 lm
VK-10012-T2-T2-W40-DA-03	VEKTER 4 - VK-10012 - 2 x 12 LED - 2 x 28 W - 144°x50° - 144°x50° (2 sides) - 4000K - DALI - White	6228 lm
VK-10012-T2-T2-W30-ND-03	VEKTER 4 - VK-10012 - 2 x 12 LED - 2 x 28 W - 144°x50° - 144°x50° (2 sides) - 3000K - On/Off - White	5812 lm
VK-10012-T2-T2-W40-ND-03	VEKTER 4 - VK-10012 - 2 x 12 LED - 2 x 28 W - 144°x50° - 144°x50° (2 sides) - 4000K - On/Off - White	6228 lm
VK-10012-T2-T2-W30-ND-06	VEKTER 4 - VK-10012 - 2 x 12 LED - 2 x 28 W - 144°x50° - 144°x50° (2 sides) - 3000K - On/Off - Bronze	5812 lm
VK-10012-T2-T2-W40-ND-06	VEKTER 4 - VK-10012 - 2 x 12 LED - 2 x 28 W - 144°x50° - 144°x50° (2 sides) - 4000K - On/Off - Bronze	6228 lm
VK-10012-T2-T2-W30-ND-05	VEKTER 4 - VK-10012 - 2 x 12 LED - 2 x 28 W - 144°x50° - 144°x50° (2 sides) - 3000K - On/Off - Matt Silver	5812 lm
VK-10012-T2-T2-W40-ND-05	VEKTER 4 - VK-10012 - 2 x 12 LED - 2 x 28 W - 144°x50° - 144°x50° (2 sides) - 4000K - On/Off - Matt Silver	6228 lm
VK-10012-T2-T2-W30-DA-01	VEKTER 4 - VK-10012 - 2 x 12 LED - 2 x 28 W - 144°x50° - 144°x50° (2 sides) - 3000K - DALI - Black	5812 lm
VK-10012-T2-T2-W40-DA-01	VEKTER 4 - VK-10012 - 2 x 12 LED - 2 x 28 W - 144°x50° - 144°x50° (2 sides) - 4000K - DALI - Black	6228 lm
VK-10012-T2-T2-W30-DA-06	VEKTER 4 - VK-10012 - 2 x 12 LED - 2 x 28 W - 144°x50° - 144°x50° (2 sides) - 3000K - DALI - Bronze	5812 lm
VK-10012-T2-T2-W40-DA-06	VEKTER 4 - VK-10012 - 2 x 12 LED - 2 x 28 W - 144°x50° - 144°x50° (2 sides) - 4000K - DALI - Bronze	6228 lm
VK-10012-T3-W-W40-ND-06	VEKTER 4 - VK-10012 - 2 x 12 LED - 2 x 28 W - 139°x68° - 53° (2 sides) - 4000K - On/Off - Bronze	6202 lm
VK-10012-T3-W-W30-ND-06	VEKTER 4 - VK-10012 - 2 x 12 LED - 2 x 28 W - 139°x68° - 53° (2 sides) - 3000K - On/Off - Bronze	5788 lm
VK-10012-T3-W-W40-DA-06	VEKTER 4 - VK-10012 - 2 x 12 LED - 2 x 28 W - 139°x68° - 53° (2 sides) - 4000K - DALI - Bronze	6202 lm
VK-10012-T3-W-W30-DA-06	VEKTER 4 - VK-10012 - 2 x 12 LED - 2 x 28 W - 139°x68° - 53° (2 sides) - 3000K - DALI - Bronze	5788 lm
VK-10012-T3-W-W40-DA-03	VEKTER 4 - VK-10012 - 2 x 12 LED - 2 x 28 W - 139°x68° - 53° (2 sides) - 4000K - DALI - White	6202 lm
VK-10012-T3-W-W30-DA-03	VEKTER 4 - VK-10012 - 2 x 12 LED - 2 x 28 W - 139°x68° - 53° (2 sides) - 3000K - DALI - White	5788 lm
VK-10012-T3-W-W40-ND-05	VEKTER 4 - VK-10012 - 2 x 12 LED - 2 x 28 W - 139°x68° - 53° (2 sides) - 4000K - On/Off - Matt Silver	6202 lm
VK-10012-T3-W-W30-ND-05	VEKTER 4 - VK-10012 - 2 x 12 LED - 2 x 28 W - 139°x68° - 53° (2 sides) - 3000K - On/Off - Matt Silver	5788 lm
VK-10012-T3-W-W40-ND-02	VEKTER 4 - VK-10012 - 2 x 12 LED - 2 x 28 W - 139°x68° - 53° (2 sides) - 4000K - On/Off - Dark Grey	6202 lm
VK-10012-T3-W-W30-ND-02	VEKTER 4 - VK-10012 - 2 x 12 LED - 2 x 28 W - 139°x68° - 53° (2 sides) - 3000K - On/Off - Dark Grey	5788 lm
VK-10012-T3-W-W40-DA-01	VEKTER 4 - VK-10012 - 2 x 12 LED - 2 x 28 W - 139°x68° - 53° (2 sides) - 4000K - DALI - Black	6202 lm
VK-10012-T3-W-W30-DA-01	VEKTER 4 - VK-10012 - 2 x 12 LED - 2 x 28 W - 139°x68° - 53° (2 sides) - 3000K - DALI - Black	5788 lm
VK-10012-T3-W-W40-DA-02	VEKTER 4 - VK-10012 - 2 x 12 LED - 2 x 28 W - 139°x68° - 53° (2 sides) - 4000K - DALI - Dark Grey	6202 lm
VK-10012-T3-W-W30-DA-02	VEKTER 4 - VK-10012 - 2 x 12 LED - 2 x 28 W - 139°x68° - 53° (2 sides) - 3000K - DALI - Dark Grey	5788 lm
VK-10012-T3-W-W40-ND-01	VEKTER 4 - VK-10012 - 2 x 12 LED - 2 x 28 W - 139°x68° - 53° (2 sides) - 4000K - On/Off - Black	6202 lm
VK-10012-T3-W-W30-ND-01	VEKTER 4 - VK-10012 - 2 x 12 LED - 2 x 28 W - 139°x68° - 53° (2 sides) - 3000K - On/Off - Black	5788 lm
VK-10012-T3-W-W40-DA-05	VEKTER 4 - VK-10012 - 2 x 12 LED - 2 x 28 W - 139°x68° - 53° (2 sides) - 4000K - DALI - Matt Silver	6202 lm
VK-10012-T3-W-W30-DA-05	VEKTER 4 - VK-10012 - 2 x 12 LED - 2 x 28 W - 139°x68° - 53° (2 sides) - 3000K - DALI - Matt Silver	5788 lm
VK-10012-T3-W-W40-ND-03	VEKTER 4 - VK-10012 - 2 x 12 LED - 2 x 28 W - 139°x68° - 53° (2 sides) - 4000K - On/Off - White	6202 lm
VK-10012-T3-W-W30-ND-03	VEKTER 4 - VK-10012 - 2 x 12 LED - 2 x 28 W - 139°x68° - 53° (2 sides) - 3000K - On/Off - White	5788 lm
VK-10012-T4-T3-W40-ND-02	VEKTER 4 - VK-10012 - 2 x 12 LED - 2 x 28 W - 97°x77° - 139°x68° (2 sides) - 4000K - On/Off - Dark Grey	6158 lm
VK-10012-T4-T3-W30-ND-02	VEKTER 4 - VK-10012 - 2 x 12 LED - 2 x 28 W - 97°x77° - 139°x68° (2 sides) - 3000K - On/Off - Dark Grey	5746 lm
VK-10012-T4-T3-W40-ND-06	VEKTER 4 - VK-10012 - 2 x 12 LED - 2 x 28 W - 97°x77° - 139°x68° (2 sides) - 4000K - On/Off - Bronze	6158 lm
VK-10012-T4-T3-W30-ND-06	VEKTER 4 - VK-10012 - 2 x 12 LED - 2 x 28 W - 97°x77° - 139°x68° (2 sides) - 3000K - On/Off - Bronze	5746 lm
VK-10012-T4-T3-W40-DA-01	VEKTER 4 - VK-10012 - 2 x 12 LED - 2 x 28 W - 97°x77° - 139°x68° (2 sides) - 4000K - DALI - Black	6158 lm
VK-10012-T4-T3-W30-DA-01	VEKTER 4 - VK-10012 - 2 x 12 LED - 2 x 28 W - 97°x77° - 139°x68° (2 sides) - 3000K - DALI - Black	5746 lm
VK-10012-T4-T3-W40-ND-03	VEKTER 4 - VK-10012 - 2 x 12 LED - 2 x 28 W - 97°x77° - 139°x68° (2 sides) - 4000K - On/Off - White	6158 lm
VK-10012-T4-T3-W30-ND-03	VEKTER 4 - VK-10012 - 2 x 12 LED - 2 x 28 W - 97°x77° - 139°x68° (2 sides) - 3000K - On/Off - White	5746 lm
VK-10012-T4-T3-W40-DA-06	VEKTER 4 - VK-10012 - 2 x 12 LED - 2 x 28 W - 97°x77° - 139°x68° (2 sides) - 4000K - DALI - Bronze	6158 lm
VK-10012-T4-T3-W30-DA-06	VEKTER 4 - VK-10012 - 2 x 12 LED - 2 x 28 W - 97°x77° - 139°x68° (2 sides) - 3000K - DALI - Bronze	5746 lm
VK-10012-T4-T3-W40-DA-03	VEKTER 4 - VK-10012 - 2 x 12 LED - 2 x 28 W - 97°x77° - 139°x68° (2 sides) - 4000K - DALI - White	6158 lm
VK-10012-T4-T3-W30-DA-03	VEKTER 4 - VK-10012 - 2 x 12 LED - 2 x 28 W - 97°x77° - 139°x68° (2 sides) - 3000K - DALI - White	5746 lm
VK-10012-T4-T3-W40-ND-01	VEKTER 4 - VK-10012 - 2 x 12 LED - 2 x 28 W - 97°x77° - 139°x68° (2 sides) - 4000K - On/Off - Black	6158 lm
VK-10012-T4-T3-W30-ND-01	VEKTER 4 - VK-10012 - 2 x 12 LED - 2 x 28 W - 97°x77° - 139°x68° (2 sides) - 3000K - On/Off - Black	5746 lm
VK-10012-T4-T3-W40-DA-05	VEKTER 4 - VK-10012 - 2 x 12 LED - 2 x 28 W - 97°x77° - 139°x68° (2 sides) - 4000K - DALI - Matt Silver	6158 lm
VK-10012-T4-T3-W30-DA-05	VEKTER 4 - VK-10012 - 2 x 12 LED - 2 x 28 W - 97°x77° - 139°x68° (2 sides) - 3000K - DALI - Matt Silver	5746 lm
VK-10012-T4-T3-W40-ND-05	VEKTER 4 - VK-10012 - 2 x 12 LED - 2 x 28 W - 97°x77° - 139°x68° (2 sides) - 4000K - On/Off - Matt Silver	6158 lm
VK-10012-T4-T3-W30-ND-05	VEKTER 4 - VK-10012 - 2 x 12 LED - 2 x 28 W - 97°x77° - 139°x68° (2 sides) - 3000K - On/Off - Matt Silver	5746 lm
VK-10012-T4-T3-W40-DA-02	VEKTER 4 - VK-10012 - 2 x 12 LED - 2 x 28 W - 97°x77° - 139°x68° (2 sides) - 4000K - DALI - Dark Grey	6158 lm
VK-10012-T4-T3-W30-DA-02	VEKTER 4 - VK-10012 - 2 x 12 LED - 2 x 28 W - 97°x77° - 139°x68° (2 sides) - 3000K - DALI - Dark Grey	5746 lm
VK-10012-W-T2-W30-ND-06	VEKTER 4 - VK-10012 - 2 x 12 LED - 2 x 28 W - 53° - 144°x50° (2 sides) - 3000K - On/Off - Bronze	6160 lm
VK-10012-W-T2-W40-ND-06	VEKTER 4 - VK-10012 - 2 x 12 LED - 2 x 28 W - 53° - 144°x50° (2 sides) - 4000K - On/Off - Bronze	6602 lm
VK-10012-W-T2-W30-DA-05	VEKTER 4 - VK-10012 - 2 x 12 LED - 2 x 28 W - 53° - 144°x50° (2 sides) - 3000K - DALI - Matt Silver	6160 lm

VEKTER 4 (VK-10012)

VK-10012-W-T2-W40-DA-05	VEKTER 4 - VK-10012 - 2 x 12 LED - 2 x 28 W - 53° - 144°x50° (2 sides) - 4000K - DALI - Matt Silver	6602 lm
VK-10012-W-T2-W30-ND-03	VEKTER 4 - VK-10012 - 2 x 12 LED - 2 x 28 W - 53° - 144°x50° (2 sides) - 3000K - On/Off - White	6160 lm
VK-10012-W-T2-W40-ND-03	VEKTER 4 - VK-10012 - 2 x 12 LED - 2 x 28 W - 53° - 144°x50° (2 sides) - 4000K - On/Off - White	6602 lm
VK-10012-W-T2-W30-ND-01	VEKTER 4 - VK-10012 - 2 x 12 LED - 2 x 28 W - 53° - 144°x50° (2 sides) - 3000K - On/Off - Black	6160 lm
VK-10012-W-T2-W40-ND-01	VEKTER 4 - VK-10012 - 2 x 12 LED - 2 x 28 W - 53° - 144°x50° (2 sides) - 4000K - On/Off - Black	6602 lm
VK-10012-W-T2-W30-DA-03	VEKTER 4 - VK-10012 - 2 x 12 LED - 2 x 28 W - 53° - 144°x50° (2 sides) - 3000K - DALI - White	6160 lm
VK-10012-W-T2-W40-DA-03	VEKTER 4 - VK-10012 - 2 x 12 LED - 2 x 28 W - 53° - 144°x50° (2 sides) - 4000K - DALI - White	6602 lm
VK-10012-W-T2-W30-ND-05	VEKTER 4 - VK-10012 - 2 x 12 LED - 2 x 28 W - 53° - 144°x50° (2 sides) - 3000K - On/Off - Matt Silver	6160 lm
VK-10012-W-T2-W40-ND-05	VEKTER 4 - VK-10012 - 2 x 12 LED - 2 x 28 W - 53° - 144°x50° (2 sides) - 4000K - On/Off - Matt Silver	6602 lm
VK-10012-W-T2-W30-DA-01	VEKTER 4 - VK-10012 - 2 x 12 LED - 2 x 28 W - 53° - 144°x50° (2 sides) - 3000K - DALI - Black	6160 lm
VK-10012-W-T2-W40-DA-01	VEKTER 4 - VK-10012 - 2 x 12 LED - 2 x 28 W - 53° - 144°x50° (2 sides) - 4000K - DALI - Black	6602 lm
VK-10012-W-T2-W30-DA-02	VEKTER 4 - VK-10012 - 2 x 12 LED - 2 x 28 W - 53° - 144°x50° (2 sides) - 3000K - DALI - Dark Grey	6160 lm
VK-10012-W-T2-W40-DA-02	VEKTER 4 - VK-10012 - 2 x 12 LED - 2 x 28 W - 53° - 144°x50° (2 sides) - 4000K - DALI - Dark Grey	6602 lm
VK-10012-W-T2-W30-ND-02	VEKTER 4 - VK-10012 - 2 x 12 LED - 2 x 28 W - 53° - 144°x50° (2 sides) - 3000K - On/Off - Dark Grey	6160 lm
VK-10012-W-T2-W40-ND-02	VEKTER 4 - VK-10012 - 2 x 12 LED - 2 x 28 W - 53° - 144°x50° (2 sides) - 4000K - On/Off - Dark Grey	6602 lm
VK-10012-W-T2-W30-DA-06	VEKTER 4 - VK-10012 - 2 x 12 LED - 2 x 28 W - 53° - 144°x50° (2 sides) - 3000K - DALI - Bronze	6160 lm
VK-10012-W-T2-W40-DA-06	VEKTER 4 - VK-10012 - 2 x 12 LED - 2 x 28 W - 53° - 144°x50° (2 sides) - 4000K - DALI - Bronze	6602 lm
VK-10012-EW-EW-W40-ND-03	VEKTER 4 - VK-10012 - 2 x 12 LED - 2 x 28 W - 119° - 119° (2 sides) - 4000K - On/Off - White	6660 lm
VK-10012-EW-EW-W30-ND-03	VEKTER 4 - VK-10012 - 2 x 12 LED - 2 x 28 W - 119° - 119° (2 sides) - 3000K - On/Off - White	6214 lm
VK-10012-EW-EW-W40-ND-02	VEKTER 4 - VK-10012 - 2 x 12 LED - 2 x 28 W - 119° - 119° (2 sides) - 4000K - On/Off - Dark Grey	6660 lm
VK-10012-EW-EW-W30-ND-02	VEKTER 4 - VK-10012 - 2 x 12 LED - 2 x 28 W - 119° - 119° (2 sides) - 3000K - On/Off - Dark Grey	6214 lm
VK-10012-EW-EW-W40-ND-01	VEKTER 4 - VK-10012 - 2 x 12 LED - 2 x 28 W - 119° - 119° (2 sides) - 4000K - On/Off - Black	6660 lm
VK-10012-EW-EW-W30-ND-01	VEKTER 4 - VK-10012 - 2 x 12 LED - 2 x 28 W - 119° - 119° (2 sides) - 3000K - On/Off - Black	6214 lm
VK-10012-EW-EW-W40-DA-01	VEKTER 4 - VK-10012 - 2 x 12 LED - 2 x 28 W - 119° - 119° (2 sides) - 4000K - DALI - Black	6660 lm
VK-10012-EW-EW-W30-DA-01	VEKTER 4 - VK-10012 - 2 x 12 LED - 2 x 28 W - 119° - 119° (2 sides) - 3000K - DALI - Black	6214 lm
VK-10012-EW-EW-W40-ND-05	VEKTER 4 - VK-10012 - 2 x 12 LED - 2 x 28 W - 119° - 119° (2 sides) - 4000K - On/Off - Matt Silver	6660 lm
VK-10012-EW-EW-W30-ND-05	VEKTER 4 - VK-10012 - 2 x 12 LED - 2 x 28 W - 119° - 119° (2 sides) - 3000K - On/Off - Matt Silver	6214 lm
VK-10012-EW-EW-W40-DA-03	VEKTER 4 - VK-10012 - 2 x 12 LED - 2 x 28 W - 119° - 119° (2 sides) - 4000K - DALI - White	6660 lm
VK-10012-EW-EW-W30-DA-03	VEKTER 4 - VK-10012 - 2 x 12 LED - 2 x 28 W - 119° - 119° (2 sides) - 3000K - DALI - White	6214 lm
VK-10012-EW-EW-W40-DA-06	VEKTER 4 - VK-10012 - 2 x 12 LED - 2 x 28 W - 119° - 119° (2 sides) - 4000K - DALI - Bronze	6660 lm
VK-10012-EW-EW-W30-DA-06	VEKTER 4 - VK-10012 - 2 x 12 LED - 2 x 28 W - 119° - 119° (2 sides) - 3000K - DALI - Bronze	6214 lm
VK-10012-EW-EW-W40-DA-05	VEKTER 4 - VK-10012 - 2 x 12 LED - 2 x 28 W - 119° - 119° (2 sides) - 4000K - DALI - Matt Silver	6660 lm
VK-10012-EW-EW-W30-DA-05	VEKTER 4 - VK-10012 - 2 x 12 LED - 2 x 28 W - 119° - 119° (2 sides) - 3000K - DALI - Matt Silver	6214 lm
VK-10012-EW-EW-W40-ND-06	VEKTER 4 - VK-10012 - 2 x 12 LED - 2 x 28 W - 119° - 119° (2 sides) - 4000K - On/Off - Bronze	6660 lm
VK-10012-EW-EW-W30-ND-06	VEKTER 4 - VK-10012 - 2 x 12 LED - 2 x 28 W - 119° - 119° (2 sides) - 3000K - On/Off - Bronze	6214 lm
VK-10012-EW-EW-W40-DA-02	VEKTER 4 - VK-10012 - 2 x 12 LED - 2 x 28 W - 119° - 119° (2 sides) - 4000K - DALI - Dark Grey	6660 lm
VK-10012-EW-EW-W30-DA-02	VEKTER 4 - VK-10012 - 2 x 12 LED - 2 x 28 W - 119° - 119° (2 sides) - 3000K - DALI - Dark Grey	6214 lm
VK-10012-M-T3-W40-ND-01	VEKTER 4 - VK-10012 - 2 x 12 LED - 2 x 28 W - 31° - 139°x68° (2 sides) - 4000K - On/Off - Black	6616 lm
VK-10012-M-T3-W30-ND-01	VEKTER 4 - VK-10012 - 2 x 12 LED - 2 x 28 W - 31° - 139°x68° (2 sides) - 3000K - On/Off - Black	6174 lm
VK-10012-M-T3-W40-DA-01	VEKTER 4 - VK-10012 - 2 x 12 LED - 2 x 28 W - 31° - 139°x68° (2 sides) - 4000K - DALI - Black	6616 lm
VK-10012-M-T3-W30-DA-01	VEKTER 4 - VK-10012 - 2 x 12 LED - 2 x 28 W - 31° - 139°x68° (2 sides) - 3000K - DALI - Black	6174 lm
VK-10012-M-T3-W40-ND-06	VEKTER 4 - VK-10012 - 2 x 12 LED - 2 x 28 W - 31° - 139°x68° (2 sides) - 4000K - On/Off - Bronze	6616 lm
VK-10012-M-T3-W30-ND-06	VEKTER 4 - VK-10012 - 2 x 12 LED - 2 x 28 W - 31° - 139°x68° (2 sides) - 3000K - On/Off - Bronze	6174 lm
VK-10012-M-T3-W40-DA-05	VEKTER 4 - VK-10012 - 2 x 12 LED - 2 x 28 W - 31° - 139°x68° (2 sides) - 4000K - DALI - Matt Silver	6616 lm
VK-10012-M-T3-W30-DA-05	VEKTER 4 - VK-10012 - 2 x 12 LED - 2 x 28 W - 31° - 139°x68° (2 sides) - 3000K - DALI - Matt Silver	6174 lm
VK-10012-M-T3-W40-ND-03	VEKTER 4 - VK-10012 - 2 x 12 LED - 2 x 28 W - 31° - 139°x68° (2 sides) - 4000K - On/Off - White	6616 lm
VK-10012-M-T3-W30-ND-03	VEKTER 4 - VK-10012 - 2 x 12 LED - 2 x 28 W - 31° - 139°x68° (2 sides) - 3000K - On/Off - White	6174 lm
VK-10012-M-T3-W40-DA-02	VEKTER 4 - VK-10012 - 2 x 12 LED - 2 x 28 W - 31° - 139°x68° (2 sides) - 4000K - DALI - Dark Grey	6616 lm
VK-10012-M-T3-W30-DA-02	VEKTER 4 - VK-10012 - 2 x 12 LED - 2 x 28 W - 31° - 139°x68° (2 sides) - 3000K - DALI - Dark Grey	6174 lm
VK-10012-M-T3-W40-DA-03	VEKTER 4 - VK-10012 - 2 x 12 LED - 2 x 28 W - 31° - 139°x68° (2 sides) - 4000K - DALI - White	6616 lm
VK-10012-M-T3-W30-DA-03	VEKTER 4 - VK-10012 - 2 x 12 LED - 2 x 28 W - 31° - 139°x68° (2 sides) - 3000K - DALI - White	6174 lm
VK-10012-M-T3-W40-ND-05	VEKTER 4 - VK-10012 - 2 x 12 LED - 2 x 28 W - 31° - 139°x68° (2 sides) - 4000K - On/Off - Matt Silver	6616 lm
VK-10012-M-T3-W30-ND-05	VEKTER 4 - VK-10012 - 2 x 12 LED - 2 x 28 W - 31° - 139°x68° (2 sides) - 3000K - On/Off - Matt Silver	6174 lm
VK-10012-M-T3-W40-ND-02	VEKTER 4 - VK-10012 - 2 x 12 LED - 2 x 28 W - 31° - 139°x68° (2 sides) - 4000K - On/Off - Dark Grey	6616 lm
VK-10012-M-T3-W30-ND-02	VEKTER 4 - VK-10012 - 2 x 12 LED - 2 x 28 W - 31° - 139°x68° (2 sides) - 3000K - On/Off - Dark Grey	6174 lm
VK-10012-M-T3-W40-DA-06	VEKTER 4 - VK-10012 - 2 x 12 LED - 2 x 28 W - 31° - 139°x68° (2 sides) - 4000K - DALI - Bronze	6616 lm
VK-10012-M-T3-W30-DA-06	VEKTER 4 - VK-10012 - 2 x 12 LED - 2 x 28 W - 31° - 139°x68° (2 sides) - 3000K - DALI - Bronze	6174 lm
VK-10012-T2-T4-W30-ND-01	VEKTER 4 - VK-10012 - 2 x 12 LED - 2 x 28 W - 144°x50° - 97°x77° (2 sides) - 3000K - On/Off - Black	5812 lm
VK-10012-T2-T4-W40-ND-01	VEKTER 4 - VK-10012 - 2 x 12 LED - 2 x 28 W - 144°x50° - 97°x77° (2 sides) - 4000K - On/Off - Black	6228 lm

Мы оставляем за собой право вносить технические и конструктивные изменения.

10:43, 17-01-2020

<https://www.ligman.com/ru/vekte-4-vk-10012/>

Европа
LIGMAN EUROPE s.r.o.
VGP Park Ústí nad Labem
P 2 120
40317, Přestanov
Czech Republic
+420 477 071 500
sales.cz@ligman.com

Страны азиатско-тихоокеанского региона
LIGMAN Lighting Co.,Ltd.
17/2 Moo4 Monthong
Bangnampreaw
24150, Chachoengsao
Thailand
+66 2 108 6700
info@ligman.com

VEKTER 4 (VK-10012)

VK-10012-T2-T4-W30-ND-02	VEKTER 4 - VK-10012 - 2 x 12 LED - 2 x 28 W - 144°x50° - 97°x77° (2 sides) - 3000K - On/Off - Dark Grey	5812 lm
VK-10012-T2-T4-W40-ND-02	VEKTER 4 - VK-10012 - 2 x 12 LED - 2 x 28 W - 144°x50° - 97°x77° (2 sides) - 4000K - On/Off - Dark Grey	6228 lm
VK-10012-T2-T4-W30-DA-06	VEKTER 4 - VK-10012 - 2 x 12 LED - 2 x 28 W - 144°x50° - 97°x77° (2 sides) - 3000K - DALI - Bronze	5812 lm
VK-10012-T2-T4-W40-DA-06	VEKTER 4 - VK-10012 - 2 x 12 LED - 2 x 28 W - 144°x50° - 97°x77° (2 sides) - 4000K - DALI - Bronze	6228 lm
VK-10012-T2-T4-W30-DA-03	VEKTER 4 - VK-10012 - 2 x 12 LED - 2 x 28 W - 144°x50° - 97°x77° (2 sides) - 3000K - DALI - White	5812 lm
VK-10012-T2-T4-W40-DA-03	VEKTER 4 - VK-10012 - 2 x 12 LED - 2 x 28 W - 144°x50° - 97°x77° (2 sides) - 4000K - DALI - White	6228 lm
VK-10012-T2-T4-W30-DA-05	VEKTER 4 - VK-10012 - 2 x 12 LED - 2 x 28 W - 144°x50° - 97°x77° (2 sides) - 3000K - DALI - Matt Silver	5812 lm
VK-10012-T2-T4-W40-DA-05	VEKTER 4 - VK-10012 - 2 x 12 LED - 2 x 28 W - 144°x50° - 97°x77° (2 sides) - 4000K - DALI - Matt Silver	6228 lm
VK-10012-T2-T4-W30-ND-03	VEKTER 4 - VK-10012 - 2 x 12 LED - 2 x 28 W - 144°x50° - 97°x77° (2 sides) - 3000K - On/Off - White	5812 lm
VK-10012-T2-T4-W40-ND-03	VEKTER 4 - VK-10012 - 2 x 12 LED - 2 x 28 W - 144°x50° - 97°x77° (2 sides) - 4000K - On/Off - White	6228 lm
VK-10012-T2-T4-W30-ND-06	VEKTER 4 - VK-10012 - 2 x 12 LED - 2 x 28 W - 144°x50° - 97°x77° (2 sides) - 3000K - On/Off - Bronze	5812 lm
VK-10012-T2-T4-W40-ND-06	VEKTER 4 - VK-10012 - 2 x 12 LED - 2 x 28 W - 144°x50° - 97°x77° (2 sides) - 4000K - On/Off - Bronze	6228 lm
VK-10012-T2-T4-W30-ND-05	VEKTER 4 - VK-10012 - 2 x 12 LED - 2 x 28 W - 144°x50° - 97°x77° (2 sides) - 3000K - On/Off - Matt Silver	5812 lm
VK-10012-T2-T4-W40-ND-05	VEKTER 4 - VK-10012 - 2 x 12 LED - 2 x 28 W - 144°x50° - 97°x77° (2 sides) - 4000K - On/Off - Matt Silver	6228 lm
VK-10012-T2-T4-W30-DA-01	VEKTER 4 - VK-10012 - 2 x 12 LED - 2 x 28 W - 144°x50° - 97°x77° (2 sides) - 3000K - DALI - Black	5812 lm
VK-10012-T2-T4-W40-DA-01	VEKTER 4 - VK-10012 - 2 x 12 LED - 2 x 28 W - 144°x50° - 97°x77° (2 sides) - 4000K - DALI - Black	6228 lm
VK-10012-T2-T4-W30-DA-02	VEKTER 4 - VK-10012 - 2 x 12 LED - 2 x 28 W - 144°x50° - 97°x77° (2 sides) - 3000K - DALI - Dark Grey	5812 lm
VK-10012-T2-T4-W40-DA-02	VEKTER 4 - VK-10012 - 2 x 12 LED - 2 x 28 W - 144°x50° - 97°x77° (2 sides) - 4000K - DALI - Dark Grey	6228 lm
VK-10012-T3-T3-W40-ND-03	VEKTER 4 - VK-10012 - 2 x 12 LED - 2 x 28 W - 139°x68° - 139°x68° (2 sides) - 4000K - On/Off - White	6202 lm
VK-10012-T3-T3-W30-ND-03	VEKTER 4 - VK-10012 - 2 x 12 LED - 2 x 28 W - 139°x68° - 139°x68° (2 sides) - 3000K - On/Off - White	5788 lm
VK-10012-T3-T3-W40-ND-05	VEKTER 4 - VK-10012 - 2 x 12 LED - 2 x 28 W - 139°x68° - 139°x68° (2 sides) - 4000K - On/Off - Matt Silver	6202 lm
VK-10012-T3-T3-W30-ND-05	VEKTER 4 - VK-10012 - 2 x 12 LED - 2 x 28 W - 139°x68° - 139°x68° (2 sides) - 3000K - On/Off - Matt Silver	5788 lm
VK-10012-T3-T3-W40-DA-02	VEKTER 4 - VK-10012 - 2 x 12 LED - 2 x 28 W - 139°x68° - 139°x68° (2 sides) - 4000K - DALI - Dark Grey	6202 lm
VK-10012-T3-T3-W30-DA-02	VEKTER 4 - VK-10012 - 2 x 12 LED - 2 x 28 W - 139°x68° - 139°x68° (2 sides) - 3000K - DALI - Dark Grey	5788 lm
VK-10012-T3-T3-W40-DA-06	VEKTER 4 - VK-10012 - 2 x 12 LED - 2 x 28 W - 139°x68° - 139°x68° (2 sides) - 4000K - DALI - Bronze	6202 lm
VK-10012-T3-T3-W30-DA-06	VEKTER 4 - VK-10012 - 2 x 12 LED - 2 x 28 W - 139°x68° - 139°x68° (2 sides) - 3000K - DALI - Bronze	5788 lm
VK-10012-T3-T3-W40-ND-01	VEKTER 4 - VK-10012 - 2 x 12 LED - 2 x 28 W - 139°x68° - 139°x68° (2 sides) - 4000K - On/Off - Black	6202 lm
VK-10012-T3-T3-W30-ND-01	VEKTER 4 - VK-10012 - 2 x 12 LED - 2 x 28 W - 139°x68° - 139°x68° (2 sides) - 3000K - On/Off - Black	5788 lm
VK-10012-T3-T3-W40-DA-03	VEKTER 4 - VK-10012 - 2 x 12 LED - 2 x 28 W - 139°x68° - 139°x68° (2 sides) - 4000K - DALI - White	6202 lm
VK-10012-T3-T3-W30-DA-03	VEKTER 4 - VK-10012 - 2 x 12 LED - 2 x 28 W - 139°x68° - 139°x68° (2 sides) - 3000K - DALI - White	5788 lm
VK-10012-T3-T3-W40-DA-05	VEKTER 4 - VK-10012 - 2 x 12 LED - 2 x 28 W - 139°x68° - 139°x68° (2 sides) - 4000K - DALI - Matt Silver	6202 lm
VK-10012-T3-T3-W30-DA-05	VEKTER 4 - VK-10012 - 2 x 12 LED - 2 x 28 W - 139°x68° - 139°x68° (2 sides) - 3000K - DALI - Matt Silver	5788 lm
VK-10012-T3-T3-W40-ND-02	VEKTER 4 - VK-10012 - 2 x 12 LED - 2 x 28 W - 139°x68° - 139°x68° (2 sides) - 4000K - On/Off - Dark Grey	6202 lm
VK-10012-T3-T3-W30-ND-02	VEKTER 4 - VK-10012 - 2 x 12 LED - 2 x 28 W - 139°x68° - 139°x68° (2 sides) - 3000K - On/Off - Dark Grey	5788 lm
VK-10012-T3-T3-W40-ND-06	VEKTER 4 - VK-10012 - 2 x 12 LED - 2 x 28 W - 139°x68° - 139°x68° (2 sides) - 4000K - On/Off - Bronze	6202 lm
VK-10012-T3-T3-W30-ND-06	VEKTER 4 - VK-10012 - 2 x 12 LED - 2 x 28 W - 139°x68° - 139°x68° (2 sides) - 3000K - On/Off - Bronze	5788 lm
VK-10012-T3-T3-W40-DA-01	VEKTER 4 - VK-10012 - 2 x 12 LED - 2 x 28 W - 139°x68° - 139°x68° (2 sides) - 4000K - DALI - Black	6202 lm
VK-10012-T3-T3-W30-DA-01	VEKTER 4 - VK-10012 - 2 x 12 LED - 2 x 28 W - 139°x68° - 139°x68° (2 sides) - 3000K - DALI - Black	5788 lm
VK-10012-T4-T4-W30-DA-01	VEKTER 4 - VK-10012 - 2 x 12 LED - 2 x 28 W - 97°x77° - 97°x77° (2 sides) - 3000K - DALI - Black	5746 lm
VK-10012-T4-T4-W40-DA-01	VEKTER 4 - VK-10012 - 2 x 12 LED - 2 x 28 W - 97°x77° - 97°x77° (2 sides) - 4000K - DALI - Black	6158 lm
VK-10012-T4-T4-W30-ND-02	VEKTER 4 - VK-10012 - 2 x 12 LED - 2 x 28 W - 97°x77° - 97°x77° (2 sides) - 3000K - On/Off - Dark Grey	5746 lm
VK-10012-T4-T4-W40-ND-02	VEKTER 4 - VK-10012 - 2 x 12 LED - 2 x 28 W - 97°x77° - 97°x77° (2 sides) - 4000K - On/Off - Dark Grey	6158 lm
VK-10012-T4-T4-W30-ND-05	VEKTER 4 - VK-10012 - 2 x 12 LED - 2 x 28 W - 97°x77° - 97°x77° (2 sides) - 3000K - On/Off - Matt Silver	5746 lm
VK-10012-T4-T4-W40-ND-05	VEKTER 4 - VK-10012 - 2 x 12 LED - 2 x 28 W - 97°x77° - 97°x77° (2 sides) - 4000K - On/Off - Matt Silver	6158 lm
VK-10012-T4-T4-W30-ND-06	VEKTER 4 - VK-10012 - 2 x 12 LED - 2 x 28 W - 97°x77° - 97°x77° (2 sides) - 3000K - On/Off - Bronze	5746 lm
VK-10012-T4-T4-W40-ND-06	VEKTER 4 - VK-10012 - 2 x 12 LED - 2 x 28 W - 97°x77° - 97°x77° (2 sides) - 4000K - On/Off - Bronze	6158 lm
VK-10012-T4-T4-W30-ND-03	VEKTER 4 - VK-10012 - 2 x 12 LED - 2 x 28 W - 97°x77° - 97°x77° (2 sides) - 3000K - On/Off - White	5746 lm
VK-10012-T4-T4-W40-ND-03	VEKTER 4 - VK-10012 - 2 x 12 LED - 2 x 28 W - 97°x77° - 97°x77° (2 sides) - 4000K - On/Off - White	6158 lm
VK-10012-T4-T4-W30-DA-05	VEKTER 4 - VK-10012 - 2 x 12 LED - 2 x 28 W - 97°x77° - 97°x77° (2 sides) - 3000K - DALI - Matt Silver	5746 lm
VK-10012-T4-T4-W40-DA-05	VEKTER 4 - VK-10012 - 2 x 12 LED - 2 x 28 W - 97°x77° - 97°x77° (2 sides) - 4000K - DALI - Matt Silver	6158 lm
VK-10012-T4-T4-W30-DA-02	VEKTER 4 - VK-10012 - 2 x 12 LED - 2 x 28 W - 97°x77° - 97°x77° (2 sides) - 3000K - DALI - Dark Grey	5746 lm
VK-10012-T4-T4-W40-DA-02	VEKTER 4 - VK-10012 - 2 x 12 LED - 2 x 28 W - 97°x77° - 97°x77° (2 sides) - 4000K - DALI - Dark Grey	6158 lm
VK-10012-T4-T4-W30-DA-03	VEKTER 4 - VK-10012 - 2 x 12 LED - 2 x 28 W - 97°x77° - 97°x77° (2 sides) - 3000K - DALI - White	5746 lm
VK-10012-T4-T4-W40-DA-03	VEKTER 4 - VK-10012 - 2 x 12 LED - 2 x 28 W - 97°x77° - 97°x77° (2 sides) - 4000K - DALI - White	6158 lm
VK-10012-T4-T4-W30-ND-01	VEKTER 4 - VK-10012 - 2 x 12 LED - 2 x 28 W - 97°x77° - 97°x77° (2 sides) - 3000K - On/Off - Black	5746 lm

Мы оставляем за собой право вносить технические и конструктивные изменения.

10:43, 17-01-2020

<https://www.ligman.com/ru/vekte4-vk-10012/>

Европа
LIGMAN EUROPE s.r.o.
VGP Park Ustí nad Labem
P 2 120
40317, Přestanov
Czech Republic
+420 477 071 500
sales.cz@ligman.com

Страны азиатско-тихоокеанского региона
LIGMAN Lighting Co.,Ltd.
17/2 Moo4 Monthong
Bangnampreaw
24150, Chachoengsao
Thailand
+66 2 108 6700
info@ligman.com

VEKTER 4 (VK-10012)

VK-10012-T4-T4-W40-ND-01	VEKTER 4 - VK-10012 - 2 x 12 LED - 2 x 28 W - 97°x77° - 97°x77° (2 sides) - 4000K - On/Off - Black	6158 lm
VK-10012-T4-T4-W30-DA-06	VEKTER 4 - VK-10012 - 2 x 12 LED - 2 x 28 W - 97°x77° - 97°x77° (2 sides) - 3000K - DALI - Bronze	5746 lm
VK-10012-T4-T4-W40-DA-06	VEKTER 4 - VK-10012 - 2 x 12 LED - 2 x 28 W - 97°x77° - 97°x77° (2 sides) - 4000K - DALI - Bronze	6158 lm
VK-10012-W-T3-W30-DA-03	VEKTER 4 - VK-10012 - 2 x 12 LED - 2 x 28 W - 53° - 139°x68° (2 sides) - 3000K - DALI - White	6160 lm
VK-10012-W-T3-W40-DA-03	VEKTER 4 - VK-10012 - 2 x 12 LED - 2 x 28 W - 53° - 139°x68° (2 sides) - 4000K - DALI - White	6602 lm
VK-10012-W-T3-W30-ND-01	VEKTER 4 - VK-10012 - 2 x 12 LED - 2 x 28 W - 53° - 139°x68° (2 sides) - 3000K - On/Off - Black	6160 lm
VK-10012-W-T3-W40-ND-01	VEKTER 4 - VK-10012 - 2 x 12 LED - 2 x 28 W - 53° - 139°x68° (2 sides) - 4000K - On/Off - Black	6602 lm
VK-10012-W-T3-W30-ND-05	VEKTER 4 - VK-10012 - 2 x 12 LED - 2 x 28 W - 53° - 139°x68° (2 sides) - 3000K - On/Off - Matt Silver	6160 lm
VK-10012-W-T3-W40-ND-05	VEKTER 4 - VK-10012 - 2 x 12 LED - 2 x 28 W - 53° - 139°x68° (2 sides) - 4000K - On/Off - Matt Silver	6602 lm
VK-10012-W-T3-W30-ND-02	VEKTER 4 - VK-10012 - 2 x 12 LED - 2 x 28 W - 53° - 139°x68° (2 sides) - 3000K - On/Off - Dark Grey	6160 lm
VK-10012-W-T3-W40-ND-02	VEKTER 4 - VK-10012 - 2 x 12 LED - 2 x 28 W - 53° - 139°x68° (2 sides) - 4000K - On/Off - Dark Grey	6602 lm
VK-10012-W-T3-W30-DA-01	VEKTER 4 - VK-10012 - 2 x 12 LED - 2 x 28 W - 53° - 139°x68° (2 sides) - 3000K - DALI - Black	6160 lm
VK-10012-W-T3-W40-DA-01	VEKTER 4 - VK-10012 - 2 x 12 LED - 2 x 28 W - 53° - 139°x68° (2 sides) - 4000K - DALI - Black	6602 lm
VK-10012-W-T3-W30-ND-06	VEKTER 4 - VK-10012 - 2 x 12 LED - 2 x 28 W - 53° - 139°x68° (2 sides) - 3000K - On/Off - Bronze	6160 lm
VK-10012-W-T3-W40-ND-06	VEKTER 4 - VK-10012 - 2 x 12 LED - 2 x 28 W - 53° - 139°x68° (2 sides) - 4000K - On/Off - Bronze	6602 lm
VK-10012-W-T3-W30-DA-06	VEKTER 4 - VK-10012 - 2 x 12 LED - 2 x 28 W - 53° - 139°x68° (2 sides) - 3000K - DALI - Bronze	6160 lm
VK-10012-W-T3-W40-DA-06	VEKTER 4 - VK-10012 - 2 x 12 LED - 2 x 28 W - 53° - 139°x68° (2 sides) - 4000K - DALI - Bronze	6602 lm
VK-10012-W-T3-W30-ND-03	VEKTER 4 - VK-10012 - 2 x 12 LED - 2 x 28 W - 53° - 139°x68° (2 sides) - 3000K - On/Off - White	6160 lm
VK-10012-W-T3-W40-ND-03	VEKTER 4 - VK-10012 - 2 x 12 LED - 2 x 28 W - 53° - 139°x68° (2 sides) - 4000K - On/Off - White	6602 lm
VK-10012-W-T3-W30-DA-02	VEKTER 4 - VK-10012 - 2 x 12 LED - 2 x 28 W - 53° - 139°x68° (2 sides) - 3000K - DALI - Dark Grey	6160 lm
VK-10012-W-T3-W40-DA-02	VEKTER 4 - VK-10012 - 2 x 12 LED - 2 x 28 W - 53° - 139°x68° (2 sides) - 4000K - DALI - Dark Grey	6602 lm
VK-10012-W-T3-W30-DA-05	VEKTER 4 - VK-10012 - 2 x 12 LED - 2 x 28 W - 53° - 139°x68° (2 sides) - 3000K - DALI - Matt Silver	6160 lm
VK-10012-W-T3-W40-DA-05	VEKTER 4 - VK-10012 - 2 x 12 LED - 2 x 28 W - 53° - 139°x68° (2 sides) - 4000K - DALI - Matt Silver	6602 lm
VK-10012-EW-T4-W40-ND-06	VEKTER 4 - VK-10012 - 2 x 12 LED - 2 x 28 W - 119° - 97°x77° (2 sides) - 4000K - On/Off - Bronze	6660 lm
VK-10012-EW-T4-W30-ND-06	VEKTER 4 - VK-10012 - 2 x 12 LED - 2 x 28 W - 119° - 97°x77° (2 sides) - 3000K - On/Off - Bronze	6214 lm
VK-10012-EW-T4-W40-DA-06	VEKTER 4 - VK-10012 - 2 x 12 LED - 2 x 28 W - 119° - 97°x77° (2 sides) - 4000K - DALI - Bronze	6660 lm
VK-10012-EW-T4-W30-DA-06	VEKTER 4 - VK-10012 - 2 x 12 LED - 2 x 28 W - 119° - 97°x77° (2 sides) - 3000K - DALI - Bronze	6214 lm
VK-10012-EW-T4-W40-ND-03	VEKTER 4 - VK-10012 - 2 x 12 LED - 2 x 28 W - 119° - 97°x77° (2 sides) - 4000K - On/Off - White	6660 lm
VK-10012-EW-T4-W30-ND-03	VEKTER 4 - VK-10012 - 2 x 12 LED - 2 x 28 W - 119° - 97°x77° (2 sides) - 3000K - On/Off - White	6214 lm
VK-10012-EW-T4-W40-DA-01	VEKTER 4 - VK-10012 - 2 x 12 LED - 2 x 28 W - 119° - 97°x77° (2 sides) - 4000K - DALI - Black	6660 lm
VK-10012-EW-T4-W30-DA-01	VEKTER 4 - VK-10012 - 2 x 12 LED - 2 x 28 W - 119° - 97°x77° (2 sides) - 3000K - DALI - Black	6214 lm
VK-10012-EW-T4-W40-ND-05	VEKTER 4 - VK-10012 - 2 x 12 LED - 2 x 28 W - 119° - 97°x77° (2 sides) - 4000K - On/Off - Matt Silver	6660 lm
VK-10012-EW-T4-W30-ND-05	VEKTER 4 - VK-10012 - 2 x 12 LED - 2 x 28 W - 119° - 97°x77° (2 sides) - 3000K - On/Off - Matt Silver	6214 lm
VK-10012-EW-T4-W40-ND-02	VEKTER 4 - VK-10012 - 2 x 12 LED - 2 x 28 W - 119° - 97°x77° (2 sides) - 4000K - On/Off - Dark Grey	6660 lm
VK-10012-EW-T4-W30-ND-02	VEKTER 4 - VK-10012 - 2 x 12 LED - 2 x 28 W - 119° - 97°x77° (2 sides) - 3000K - On/Off - Dark Grey	6214 lm
VK-10012-EW-T4-W40-ND-01	VEKTER 4 - VK-10012 - 2 x 12 LED - 2 x 28 W - 119° - 97°x77° (2 sides) - 4000K - On/Off - Black	6660 lm
VK-10012-EW-T4-W30-ND-01	VEKTER 4 - VK-10012 - 2 x 12 LED - 2 x 28 W - 119° - 97°x77° (2 sides) - 3000K - On/Off - Black	6214 lm
VK-10012-EW-T4-W40-DA-03	VEKTER 4 - VK-10012 - 2 x 12 LED - 2 x 28 W - 119° - 97°x77° (2 sides) - 4000K - DALI - White	6660 lm
VK-10012-EW-T4-W30-DA-03	VEKTER 4 - VK-10012 - 2 x 12 LED - 2 x 28 W - 119° - 97°x77° (2 sides) - 3000K - DALI - White	6214 lm
VK-10012-EW-T4-W40-DA-02	VEKTER 4 - VK-10012 - 2 x 12 LED - 2 x 28 W - 119° - 97°x77° (2 sides) - 4000K - DALI - Dark Grey	6660 lm
VK-10012-EW-T4-W30-DA-02	VEKTER 4 - VK-10012 - 2 x 12 LED - 2 x 28 W - 119° - 97°x77° (2 sides) - 3000K - DALI - Dark Grey	6214 lm
VK-10012-EW-T4-W40-DA-05	VEKTER 4 - VK-10012 - 2 x 12 LED - 2 x 28 W - 119° - 97°x77° (2 sides) - 4000K - DALI - Matt Silver	6660 lm
VK-10012-EW-T4-W30-DA-05	VEKTER 4 - VK-10012 - 2 x 12 LED - 2 x 28 W - 119° - 97°x77° (2 sides) - 3000K - DALI - Matt Silver	6214 lm
VK-10012-M-W-W30-DA-05	VEKTER 4 - VK-10012 - 2 x 12 LED - 2 x 28 W - 31° - 53° (2 sides) - 3000K - DALI - Matt Silver	6174 lm
VK-10012-M-W-W40-DA-05	VEKTER 4 - VK-10012 - 2 x 12 LED - 2 x 28 W - 31° - 53° (2 sides) - 4000K - DALI - Matt Silver	6616 lm
VK-10012-M-W-W30-ND-01	VEKTER 4 - VK-10012 - 2 x 12 LED - 2 x 28 W - 31° - 53° (2 sides) - 3000K - On/Off - Black	6174 lm
VK-10012-M-W-W40-ND-01	VEKTER 4 - VK-10012 - 2 x 12 LED - 2 x 28 W - 31° - 53° (2 sides) - 4000K - On/Off - Black	6616 lm
VK-10012-M-W-W30-ND-03	VEKTER 4 - VK-10012 - 2 x 12 LED - 2 x 28 W - 31° - 53° (2 sides) - 3000K - On/Off - White	6174 lm
VK-10012-M-W-W40-ND-03	VEKTER 4 - VK-10012 - 2 x 12 LED - 2 x 28 W - 31° - 53° (2 sides) - 4000K - On/Off - White	6616 lm
VK-10012-M-W-W30-ND-02	VEKTER 4 - VK-10012 - 2 x 12 LED - 2 x 28 W - 31° - 53° (2 sides) - 3000K - On/Off - Dark Grey	6174 lm
VK-10012-M-W-W40-ND-02	VEKTER 4 - VK-10012 - 2 x 12 LED - 2 x 28 W - 31° - 53° (2 sides) - 4000K - On/Off - Dark Grey	6616 lm
VK-10012-M-W-W30-DA-01	VEKTER 4 - VK-10012 - 2 x 12 LED - 2 x 28 W - 31° - 53° (2 sides) - 3000K - DALI - Black	6174 lm
VK-10012-M-W-W40-DA-01	VEKTER 4 - VK-10012 - 2 x 12 LED - 2 x 28 W - 31° - 53° (2 sides) - 4000K - DALI - Black	6616 lm
VK-10012-M-W-W30-ND-06	VEKTER 4 - VK-10012 - 2 x 12 LED - 2 x 28 W - 31° - 53° (2 sides) - 3000K - On/Off - Bronze	6174 lm
VK-10012-M-W-W40-ND-06	VEKTER 4 - VK-10012 - 2 x 12 LED - 2 x 28 W - 31° - 53° (2 sides) - 4000K - On/Off - Bronze	6616 lm
VK-10012-M-W-W30-DA-02	VEKTER 4 - VK-10012 - 2 x 12 LED - 2 x 28 W - 31° - 53° (2 sides) - 3000K - DALI - Dark Grey	6174 lm
VK-10012-M-W-W40-DA-02	VEKTER 4 - VK-10012 - 2 x 12 LED - 2 x 28 W - 31° - 53° (2 sides) - 4000K - DALI - Dark Grey	6616 lm
VK-10012-M-W-W30-DA-06	VEKTER 4 - VK-10012 - 2 x 12 LED - 2 x 28 W - 31° - 53° (2 sides) - 3000K - DALI - Bronze	6174 lm
VK-10012-M-W-W40-DA-06	VEKTER 4 - VK-10012 - 2 x 12 LED - 2 x 28 W - 31° - 53° (2 sides) - 4000K - DALI - Bronze	6616 lm

VEKTER 4 (VK-10012)

VK-10012-M-W-W30-DA-03	VEKTER 4 - VK-10012 - 2 x 12 LED - 2 x 28 W - 31° - 53° (2 sides) - 3000K - DALI - White	6174 lm
VK-10012-M-W-W40-DA-03	VEKTER 4 - VK-10012 - 2 x 12 LED - 2 x 28 W - 31° - 53° (2 sides) - 4000K - DALI - White	6616 lm
VK-10012-M-W-W30-ND-05	VEKTER 4 - VK-10012 - 2 x 12 LED - 2 x 28 W - 31° - 53° (2 sides) - 3000K - On/Off - Matt Silver	6174 lm
VK-10012-M-W-W40-ND-05	VEKTER 4 - VK-10012 - 2 x 12 LED - 2 x 28 W - 31° - 53° (2 sides) - 4000K - On/Off - Matt Silver	6616 lm
VK-10012-T2-T3-W40-DA-01	VEKTER 4 - VK-10012 - 2 x 12 LED - 2 x 28 W - 144°x50° - 139°x68° (2 sides) - 4000K - DALI - Black	6228 lm
VK-10012-T2-T3-W30-DA-01	VEKTER 4 - VK-10012 - 2 x 12 LED - 2 x 28 W - 144°x50° - 139°x68° (2 sides) - 3000K - DALI - Black	5812 lm
VK-10012-T2-T3-W40-DA-06	VEKTER 4 - VK-10012 - 2 x 12 LED - 2 x 28 W - 144°x50° - 139°x68° (2 sides) - 4000K - DALI - Bronze	6228 lm
VK-10012-T2-T3-W30-DA-06	VEKTER 4 - VK-10012 - 2 x 12 LED - 2 x 28 W - 144°x50° - 139°x68° (2 sides) - 3000K - DALI - Bronze	5812 lm
VK-10012-T2-T3-W40-ND-05	VEKTER 4 - VK-10012 - 2 x 12 LED - 2 x 28 W - 144°x50° - 139°x68° (2 sides) - 4000K - On/Off - Matt Silver	6228 lm
VK-10012-T2-T3-W30-ND-05	VEKTER 4 - VK-10012 - 2 x 12 LED - 2 x 28 W - 144°x50° - 139°x68° (2 sides) - 3000K - On/Off - Matt Silver	5812 lm
VK-10012-T2-T3-W40-DA-02	VEKTER 4 - VK-10012 - 2 x 12 LED - 2 x 28 W - 144°x50° - 139°x68° (2 sides) - 4000K - DALI - Dark Grey	6228 lm
VK-10012-T2-T3-W30-DA-02	VEKTER 4 - VK-10012 - 2 x 12 LED - 2 x 28 W - 144°x50° - 139°x68° (2 sides) - 3000K - DALI - Dark Grey	5812 lm
VK-10012-T2-T3-W40-ND-02	VEKTER 4 - VK-10012 - 2 x 12 LED - 2 x 28 W - 144°x50° - 139°x68° (2 sides) - 4000K - On/Off - Dark Grey	6228 lm
VK-10012-T2-T3-W30-ND-02	VEKTER 4 - VK-10012 - 2 x 12 LED - 2 x 28 W - 144°x50° - 139°x68° (2 sides) - 3000K - On/Off - Dark Grey	5812 lm
VK-10012-T2-T3-W40-ND-01	VEKTER 4 - VK-10012 - 2 x 12 LED - 2 x 28 W - 144°x50° - 139°x68° (2 sides) - 4000K - On/Off - Black	6228 lm
VK-10012-T2-T3-W30-ND-01	VEKTER 4 - VK-10012 - 2 x 12 LED - 2 x 28 W - 144°x50° - 139°x68° (2 sides) - 3000K - On/Off - Black	5812 lm
VK-10012-T2-T3-W40-DA-05	VEKTER 4 - VK-10012 - 2 x 12 LED - 2 x 28 W - 144°x50° - 139°x68° (2 sides) - 4000K - DALI - Matt Silver	6228 lm
VK-10012-T2-T3-W30-DA-05	VEKTER 4 - VK-10012 - 2 x 12 LED - 2 x 28 W - 144°x50° - 139°x68° (2 sides) - 3000K - DALI - Matt Silver	5812 lm
VK-10012-T2-T3-W40-ND-03	VEKTER 4 - VK-10012 - 2 x 12 LED - 2 x 28 W - 144°x50° - 139°x68° (2 sides) - 4000K - On/Off - White	6228 lm
VK-10012-T2-T3-W30-ND-03	VEKTER 4 - VK-10012 - 2 x 12 LED - 2 x 28 W - 144°x50° - 139°x68° (2 sides) - 3000K - On/Off - White	5812 lm
VK-10012-T2-T3-W40-DA-03	VEKTER 4 - VK-10012 - 2 x 12 LED - 2 x 28 W - 144°x50° - 139°x68° (2 sides) - 4000K - DALI - White	6228 lm
VK-10012-T2-T3-W30-DA-03	VEKTER 4 - VK-10012 - 2 x 12 LED - 2 x 28 W - 144°x50° - 139°x68° (2 sides) - 3000K - DALI - White	5812 lm
VK-10012-T2-T3-W40-ND-06	VEKTER 4 - VK-10012 - 2 x 12 LED - 2 x 28 W - 144°x50° - 139°x68° (2 sides) - 4000K - On/Off - Bronze	6228 lm
VK-10012-T2-T3-W30-ND-06	VEKTER 4 - VK-10012 - 2 x 12 LED - 2 x 28 W - 144°x50° - 139°x68° (2 sides) - 3000K - On/Off - Bronze	5812 lm
VK-10012-T3-M-W30-DA-06	VEKTER 4 - VK-10012 - 2 x 12 LED - 2 x 28 W - 139°x68° - 31° (2 sides) - 3000K - DALI - Bronze	5788 lm
VK-10012-T3-M-W40-DA-06	VEKTER 4 - VK-10012 - 2 x 12 LED - 2 x 28 W - 139°x68° - 31° (2 sides) - 4000K - DALI - Bronze	6202 lm
VK-10012-T3-M-W30-ND-01	VEKTER 4 - VK-10012 - 2 x 12 LED - 2 x 28 W - 139°x68° - 31° (2 sides) - 3000K - On/Off - Black	5788 lm
VK-10012-T3-M-W40-ND-01	VEKTER 4 - VK-10012 - 2 x 12 LED - 2 x 28 W - 139°x68° - 31° (2 sides) - 4000K - On/Off - Black	6202 lm
VK-10012-T3-M-W30-ND-02	VEKTER 4 - VK-10012 - 2 x 12 LED - 2 x 28 W - 139°x68° - 31° (2 sides) - 3000K - On/Off - Dark Grey	5788 lm
VK-10012-T3-M-W40-ND-02	VEKTER 4 - VK-10012 - 2 x 12 LED - 2 x 28 W - 139°x68° - 31° (2 sides) - 4000K - On/Off - Dark Grey	6202 lm
VK-10012-T3-M-W30-DA-03	VEKTER 4 - VK-10012 - 2 x 12 LED - 2 x 28 W - 139°x68° - 31° (2 sides) - 3000K - DALI - White	5788 lm
VK-10012-T3-M-W40-DA-03	VEKTER 4 - VK-10012 - 2 x 12 LED - 2 x 28 W - 139°x68° - 31° (2 sides) - 4000K - DALI - White	6202 lm
VK-10012-T3-M-W30-ND-05	VEKTER 4 - VK-10012 - 2 x 12 LED - 2 x 28 W - 139°x68° - 31° (2 sides) - 3000K - On/Off - Matt Silver	5788 lm
VK-10012-T3-M-W40-ND-05	VEKTER 4 - VK-10012 - 2 x 12 LED - 2 x 28 W - 139°x68° - 31° (2 sides) - 4000K - On/Off - Matt Silver	6202 lm
VK-10012-T3-M-W30-DA-05	VEKTER 4 - VK-10012 - 2 x 12 LED - 2 x 28 W - 139°x68° - 31° (2 sides) - 3000K - DALI - Matt Silver	5788 lm
VK-10012-T3-M-W40-DA-05	VEKTER 4 - VK-10012 - 2 x 12 LED - 2 x 28 W - 139°x68° - 31° (2 sides) - 4000K - DALI - Matt Silver	6202 lm
VK-10012-T3-M-W30-ND-03	VEKTER 4 - VK-10012 - 2 x 12 LED - 2 x 28 W - 139°x68° - 31° (2 sides) - 3000K - On/Off - White	5788 lm
VK-10012-T3-M-W40-ND-03	VEKTER 4 - VK-10012 - 2 x 12 LED - 2 x 28 W - 139°x68° - 31° (2 sides) - 4000K - On/Off - White	6202 lm
VK-10012-T3-M-W30-DA-02	VEKTER 4 - VK-10012 - 2 x 12 LED - 2 x 28 W - 139°x68° - 31° (2 sides) - 3000K - DALI - Dark Grey	5788 lm
VK-10012-T3-M-W40-DA-02	VEKTER 4 - VK-10012 - 2 x 12 LED - 2 x 28 W - 139°x68° - 31° (2 sides) - 4000K - DALI - Dark Grey	6202 lm
VK-10012-T3-M-W30-ND-06	VEKTER 4 - VK-10012 - 2 x 12 LED - 2 x 28 W - 139°x68° - 31° (2 sides) - 3000K - On/Off - Bronze	5788 lm
VK-10012-T3-M-W40-ND-06	VEKTER 4 - VK-10012 - 2 x 12 LED - 2 x 28 W - 139°x68° - 31° (2 sides) - 4000K - On/Off - Bronze	6202 lm
VK-10012-T3-M-W30-DA-01	VEKTER 4 - VK-10012 - 2 x 12 LED - 2 x 28 W - 139°x68° - 31° (2 sides) - 3000K - DALI - Black	5788 lm
VK-10012-T3-M-W40-DA-01	VEKTER 4 - VK-10012 - 2 x 12 LED - 2 x 28 W - 139°x68° - 31° (2 sides) - 4000K - DALI - Black	6202 lm
VK-10012-T4-W-W30-ND-02	VEKTER 4 - VK-10012 - 2 x 12 LED - 2 x 28 W - 97°x77° - 53° (2 sides) - 3000K - On/Off - Dark Grey	5746 lm
VK-10012-T4-W-W40-ND-02	VEKTER 4 - VK-10012 - 2 x 12 LED - 2 x 28 W - 97°x77° - 53° (2 sides) - 4000K - On/Off - Dark Grey	6158 lm
VK-10012-T4-W-W30-ND-05	VEKTER 4 - VK-10012 - 2 x 12 LED - 2 x 28 W - 97°x77° - 53° (2 sides) - 3000K - On/Off - Matt Silver	5746 lm
VK-10012-T4-W-W40-ND-05	VEKTER 4 - VK-10012 - 2 x 12 LED - 2 x 28 W - 97°x77° - 53° (2 sides) - 4000K - On/Off - Matt Silver	6158 lm
VK-10012-T4-W-W30-ND-03	VEKTER 4 - VK-10012 - 2 x 12 LED - 2 x 28 W - 97°x77° - 53° (2 sides) - 3000K - On/Off - White	5746 lm
VK-10012-T4-W-W40-ND-03	VEKTER 4 - VK-10012 - 2 x 12 LED - 2 x 28 W - 97°x77° - 53° (2 sides) - 4000K - On/Off - White	6158 lm
VK-10012-T4-W-W30-ND-06	VEKTER 4 - VK-10012 - 2 x 12 LED - 2 x 28 W - 97°x77° - 53° (2 sides) - 3000K - On/Off - Bronze	5746 lm
VK-10012-T4-W-W40-ND-06	VEKTER 4 - VK-10012 - 2 x 12 LED - 2 x 28 W - 97°x77° - 53° (2 sides) - 4000K - On/Off - Bronze	6158 lm
VK-10012-T4-W-W30-DA-01	VEKTER 4 - VK-10012 - 2 x 12 LED - 2 x 28 W - 97°x77° - 53° (2 sides) - 3000K - DALI - Black	5746 lm
VK-10012-T4-W-W40-DA-01	VEKTER 4 - VK-10012 - 2 x 12 LED - 2 x 28 W - 97°x77° - 53° (2 sides) - 4000K - DALI - Black	6158 lm
VK-10012-T4-W-W30-ND-01	VEKTER 4 - VK-10012 - 2 x 12 LED - 2 x 28 W - 97°x77° - 53° (2 sides) - 3000K - On/Off - Black	5746 lm

VEKTER 4 (VK-10012)

VK-10012-T4-W-W40-ND-01	VEKTER 4 - VK-10012 - 2 x 12 LED - 2 x 28 W - 97°x77° - 53° (2 sides) - 4000K - On/Off - Black	6158 lm
VK-10012-T4-W-W30-DA-06	VEKTER 4 - VK-10012 - 2 x 12 LED - 2 x 28 W - 97°x77° - 53° (2 sides) - 3000K - DALI - Bronze	5746 lm
VK-10012-T4-W-W40-DA-06	VEKTER 4 - VK-10012 - 2 x 12 LED - 2 x 28 W - 97°x77° - 53° (2 sides) - 4000K - DALI - Bronze	6158 lm
VK-10012-T4-W-W30-DA-02	VEKTER 4 - VK-10012 - 2 x 12 LED - 2 x 28 W - 97°x77° - 53° (2 sides) - 3000K - DALI - Dark Grey	5746 lm
VK-10012-T4-W-W40-DA-02	VEKTER 4 - VK-10012 - 2 x 12 LED - 2 x 28 W - 97°x77° - 53° (2 sides) - 4000K - DALI - Dark Grey	6158 lm
VK-10012-T4-W-W30-DA-05	VEKTER 4 - VK-10012 - 2 x 12 LED - 2 x 28 W - 97°x77° - 53° (2 sides) - 3000K - DALI - Matt Silver	5746 lm
VK-10012-T4-W-W40-DA-05	VEKTER 4 - VK-10012 - 2 x 12 LED - 2 x 28 W - 97°x77° - 53° (2 sides) - 4000K - DALI - Matt Silver	6158 lm
VK-10012-T4-W-W30-DA-03	VEKTER 4 - VK-10012 - 2 x 12 LED - 2 x 28 W - 97°x77° - 53° (2 sides) - 3000K - DALI - White	5746 lm
VK-10012-T4-W-W40-DA-03	VEKTER 4 - VK-10012 - 2 x 12 LED - 2 x 28 W - 97°x77° - 53° (2 sides) - 4000K - DALI - White	6158 lm
VK-10012-W-M-W40-DA-03	VEKTER 4 - VK-10012 - 2 x 12 LED - 2 x 28 W - 53° - 31° (2 sides) - 4000K - DALI - White	6602 lm
VK-10012-W-M-W30-DA-03	VEKTER 4 - VK-10012 - 2 x 12 LED - 2 x 28 W - 53° - 31° (2 sides) - 3000K - DALI - White	6160 lm
VK-10012-W-M-W40-ND-06	VEKTER 4 - VK-10012 - 2 x 12 LED - 2 x 28 W - 53° - 31° (2 sides) - 4000K - On/Off - Bronze	6602 lm
VK-10012-W-M-W30-ND-06	VEKTER 4 - VK-10012 - 2 x 12 LED - 2 x 28 W - 53° - 31° (2 sides) - 3000K - On/Off - Bronze	6160 lm
VK-10012-W-M-W40-DA-01	VEKTER 4 - VK-10012 - 2 x 12 LED - 2 x 28 W - 53° - 31° (2 sides) - 4000K - DALI - Black	6602 lm
VK-10012-W-M-W30-DA-01	VEKTER 4 - VK-10012 - 2 x 12 LED - 2 x 28 W - 53° - 31° (2 sides) - 3000K - DALI - Black	6160 lm
VK-10012-W-M-W40-DA-06	VEKTER 4 - VK-10012 - 2 x 12 LED - 2 x 28 W - 53° - 31° (2 sides) - 4000K - DALI - Bronze	6602 lm
VK-10012-W-M-W30-DA-06	VEKTER 4 - VK-10012 - 2 x 12 LED - 2 x 28 W - 53° - 31° (2 sides) - 3000K - DALI - Bronze	6160 lm
VK-10012-W-M-W40-ND-03	VEKTER 4 - VK-10012 - 2 x 12 LED - 2 x 28 W - 53° - 31° (2 sides) - 4000K - On/Off - White	6602 lm
VK-10012-W-M-W30-ND-03	VEKTER 4 - VK-10012 - 2 x 12 LED - 2 x 28 W - 53° - 31° (2 sides) - 3000K - On/Off - White	6160 lm
VK-10012-W-M-W40-ND-05	VEKTER 4 - VK-10012 - 2 x 12 LED - 2 x 28 W - 53° - 31° (2 sides) - 4000K - On/Off - Matt Silver	6602 lm
VK-10012-W-M-W30-ND-05	VEKTER 4 - VK-10012 - 2 x 12 LED - 2 x 28 W - 53° - 31° (2 sides) - 3000K - On/Off - Matt Silver	6160 lm
VK-10012-W-M-W40-DA-02	VEKTER 4 - VK-10012 - 2 x 12 LED - 2 x 28 W - 53° - 31° (2 sides) - 4000K - DALI - Dark Grey	6602 lm
VK-10012-W-M-W30-DA-02	VEKTER 4 - VK-10012 - 2 x 12 LED - 2 x 28 W - 53° - 31° (2 sides) - 3000K - DALI - Dark Grey	6160 lm
VK-10012-W-M-W40-ND-02	VEKTER 4 - VK-10012 - 2 x 12 LED - 2 x 28 W - 53° - 31° (2 sides) - 4000K - On/Off - Dark Grey	6602 lm
VK-10012-W-M-W30-ND-02	VEKTER 4 - VK-10012 - 2 x 12 LED - 2 x 28 W - 53° - 31° (2 sides) - 3000K - On/Off - Dark Grey	6160 lm
VK-10012-W-M-W40-DA-05	VEKTER 4 - VK-10012 - 2 x 12 LED - 2 x 28 W - 53° - 31° (2 sides) - 4000K - DALI - Matt Silver	6602 lm
VK-10012-W-M-W30-DA-05	VEKTER 4 - VK-10012 - 2 x 12 LED - 2 x 28 W - 53° - 31° (2 sides) - 3000K - DALI - Matt Silver	6160 lm
VK-10012-W-M-W40-ND-01	VEKTER 4 - VK-10012 - 2 x 12 LED - 2 x 28 W - 53° - 31° (2 sides) - 4000K - On/Off - Black	6602 lm
VK-10012-W-M-W30-ND-01	VEKTER 4 - VK-10012 - 2 x 12 LED - 2 x 28 W - 53° - 31° (2 sides) - 3000K - On/Off - Black	6160 lm