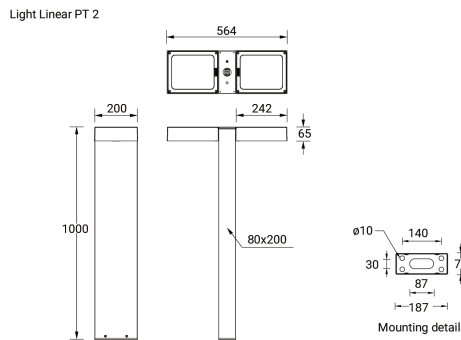
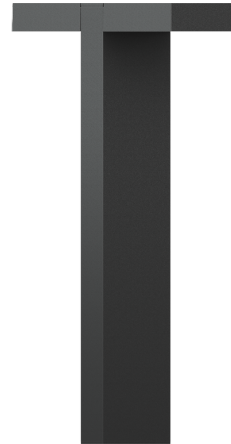


**LIGHT LINEAR PT 2 (LI-10031)**



**Структура светильника**

- Корпус из литого алюминия и столб из экструдированного алюминия предварительно обработаны перед нанесением порошкового покрытия, что обеспечивает высокую коррозионную стойкость
- Одинарный кабельный ввод
- Одинарный разъем IP68 поставляется с наружным кабелем 3x1,0 кв.
- Крепеж из нержавеющей стали класса 316
- Прочный уплотнитель из силиконовой резины
- Высокоэффективная оптика из ПММА
- Прозрачное закалённое стекло
- Встроенный механизм управления



**Символ цвета**



T2 / T2    T3 / T2    T4 / T2

**Цвет товара**



-05 М а т о в ы й серебряный RAL 9006    -06 Бронзовый RAL 6014    -03 Белый RAL 9003    -01 Черный RAL 9011



-02 Тёмно-серый RAL 7043

**Описание товара**

200x80 mm - 1000 mm - 2 sides

**Техническая информация**

Лампа	12 LED
Тип лампы	LED
Тип диммирования	On/Off
ЕЕС	A+
Материал	Aluminium
Вес	14.9 kg

Светильник	
Мощность	54 W
Люмен	5900 - 6338 lm
Эффективность	109 - 117 lm/W
ССТ	3000K, 4000K
Ток возбуждения	700 mA
Оптика	T2 [143°x56°], T3 [142°x70°], T4 [100°x76°]

Мы оставляем за собой право вносить технические и конструктивные изменения.

12:28, 13-01-2020

<https://www.ligman.com/ru/light-linear-pt-2-li-10031/>

Европа  
LIGMAN EUROPE s.r.o.  
VGP Park Ústí nad Labem  
P 2 120  
40317, Přestanov  
Czech Republic  
+420 477 071 500  
[sales.cz@ligman.com](mailto:sales.cz@ligman.com)

Страны азиатско-тихоокеанского региона  
LIGMAN Lighting Co.,Ltd.  
17/2 Moo4 Monthong  
Bangnampreaw  
24150, Chachoengsao  
Thailand  
+66 2 108 6700  
[info@ligman.com](mailto:info@ligman.com)

**LIGHT LINEAR PT 2 (LI-10031)**

Оптика (вверх) T4 [100°x76°], T3 [142°x70°],  
T2 [143°x56°]

---

**LIGHT LINEAR PT 2 (LI-10031)**

Аксессуары



Anchor bolt  
**A11191**

Variant reference	Variant name
LI-10031-T2-T4-W30-ND-05	LIGHT LINEAR PT 2 - LI-10031 - 2 x 12 LED - 2 x 27 W - 143°x56° - 100°x76° (2 sides) - 3000K - On/Off - Matt Silver
LI-10031-T2-T4-W40-ND-05	LIGHT LINEAR PT 2 - LI-10031 - 2 x 12 LED - 2 x 27 W - 143°x56° - 100°x76° (2 sides) - 4000K - On/Off - Matt Silver
LI-10031-T2-T4-W30-ND-06	LIGHT LINEAR PT 2 - LI-10031 - 2 x 12 LED - 2 x 27 W - 143°x56° - 100°x76° (2 sides) - 3000K - On/Off - Bronze
LI-10031-T2-T4-W40-ND-06	LIGHT LINEAR PT 2 - LI-10031 - 2 x 12 LED - 2 x 27 W - 143°x56° - 100°x76° (2 sides) - 4000K - On/Off - Bronze
LI-10031-T2-T4-W30-ND-03	LIGHT LINEAR PT 2 - LI-10031 - 2 x 12 LED - 2 x 27 W - 143°x56° - 100°x76° (2 sides) - 3000K - On/Off - White
LI-10031-T2-T4-W40-ND-03	LIGHT LINEAR PT 2 - LI-10031 - 2 x 12 LED - 2 x 27 W - 143°x56° - 100°x76° (2 sides) - 4000K - On/Off - White
LI-10031-T2-T4-W30-ND-01	LIGHT LINEAR PT 2 - LI-10031 - 2 x 12 LED - 2 x 27 W - 143°x56° - 100°x76° (2 sides) - 3000K - On/Off - Black
LI-10031-T2-T4-W40-ND-01	LIGHT LINEAR PT 2 - LI-10031 - 2 x 12 LED - 2 x 27 W - 143°x56° - 100°x76° (2 sides) - 4000K - On/Off - Black
LI-10031-T2-T4-W30-ND-02	LIGHT LINEAR PT 2 - LI-10031 - 2 x 12 LED - 2 x 27 W - 143°x56° - 100°x76° (2 sides) - 3000K - On/Off - Dark Grey
LI-10031-T2-T4-W40-ND-02	LIGHT LINEAR PT 2 - LI-10031 - 2 x 12 LED - 2 x 27 W - 143°x56° - 100°x76° (2 sides) - 4000K - On/Off - Dark Grey
LI-10031-T3-T4-W30-ND-02	LIGHT LINEAR PT 2 - LI-10031 - 2 x 12 LED - 2 x 27 W - 142°x70° - 100°x76° (2 sides) - 3000K - On/Off - Dark Grey
LI-10031-T3-T4-W40-ND-02	LIGHT LINEAR PT 2 - LI-10031 - 2 x 12 LED - 2 x 27 W - 142°x70° - 100°x76° (2 sides) - 4000K - On/Off - Dark Grey
LI-10031-T3-T4-W30-ND-06	LIGHT LINEAR PT 2 - LI-10031 - 2 x 12 LED - 2 x 27 W - 142°x70° - 100°x76° (2 sides) - 3000K - On/Off - Bronze
LI-10031-T3-T4-W40-ND-06	LIGHT LINEAR PT 2 - LI-10031 - 2 x 12 LED - 2 x 27 W - 142°x70° - 100°x76° (2 sides) - 4000K - On/Off - Bronze
LI-10031-T3-T4-W30-ND-03	LIGHT LINEAR PT 2 - LI-10031 - 2 x 12 LED - 2 x 27 W - 142°x70° - 100°x76° (2 sides) - 3000K - On/Off - White
LI-10031-T3-T4-W40-ND-03	LIGHT LINEAR PT 2 - LI-10031 - 2 x 12 LED - 2 x 27 W - 142°x70° - 100°x76° (2 sides) - 4000K - On/Off - White
LI-10031-T3-T4-W30-ND-01	LIGHT LINEAR PT 2 - LI-10031 - 2 x 12 LED - 2 x 27 W - 142°x70° - 100°x76° (2 sides) - 3000K - On/Off - Black
LI-10031-T3-T4-W40-ND-01	LIGHT LINEAR PT 2 - LI-10031 - 2 x 12 LED - 2 x 27 W - 142°x70° - 100°x76° (2 sides) - 4000K - On/Off - Black
LI-10031-T3-T4-W30-ND-05	LIGHT LINEAR PT 2 - LI-10031 - 2 x 12 LED - 2 x 27 W - 142°x70° - 100°x76° (2 sides) - 3000K - On/Off - Matt Silver
LI-10031-T3-T4-W40-ND-05	LIGHT LINEAR PT 2 - LI-10031 - 2 x 12 LED - 2 x 27 W - 142°x70° - 100°x76° (2 sides) - 4000K - On/Off - Matt Silver
LI-10031-T4-T4-W30-ND-02	LIGHT LINEAR PT 2 - LI-10031 - 2 x 12 LED - 2 x 27 W - 100°x76° - 100°x76° (2 sides) - 3000K - On/Off - Dark Grey
LI-10031-T4-T4-W40-ND-02	LIGHT LINEAR PT 2 - LI-10031 - 2 x 12 LED - 2 x 27 W - 100°x76° - 100°x76° (2 sides) - 4000K - On/Off - Dark Grey
LI-10031-T4-T4-W30-ND-05	LIGHT LINEAR PT 2 - LI-10031 - 2 x 12 LED - 2 x 27 W - 100°x76° - 100°x76° (2 sides) - 3000K - On/Off - Matt Silver
LI-10031-T4-T4-W40-ND-05	LIGHT LINEAR PT 2 - LI-10031 - 2 x 12 LED - 2 x 27 W - 100°x76° - 100°x76° (2 sides) - 4000K - On/Off - Matt Silver
LI-10031-T4-T4-W30-ND-01	LIGHT LINEAR PT 2 - LI-10031 - 2 x 12 LED - 2 x 27 W - 100°x76° - 100°x76° (2 sides) - 3000K - On/Off - Black
LI-10031-T4-T4-W40-ND-01	LIGHT LINEAR PT 2 - LI-10031 - 2 x 12 LED - 2 x 27 W - 100°x76° - 100°x76° (2 sides) - 4000K - On/Off - Black
LI-10031-T4-T4-W30-ND-03	LIGHT LINEAR PT 2 - LI-10031 - 2 x 12 LED - 2 x 27 W - 100°x76° - 100°x76° (2 sides) - 3000K - On/Off - White
LI-10031-T4-T4-W40-ND-03	LIGHT LINEAR PT 2 - LI-10031 - 2 x 12 LED - 2 x 27 W - 100°x76° - 100°x76° (2 sides) - 4000K - On/Off - White
LI-10031-T4-T4-W30-ND-06	LIGHT LINEAR PT 2 - LI-10031 - 2 x 12 LED - 2 x 27 W - 100°x76° - 100°x76° (2 sides) - 3000K - On/Off - Bronze
LI-10031-T4-T4-W40-ND-06	LIGHT LINEAR PT 2 - LI-10031 - 2 x 12 LED - 2 x 27 W - 100°x76° - 100°x76° (2 sides) - 4000K - On/Off - Bronze
LI-10031-T2-T3-W30-ND-06	LIGHT LINEAR PT 2 - LI-10031 - 2 x 12 LED - 2 x 27 W - 143°x56° - 142°x70° (2 sides) - 3000K - On/Off - Bronze
LI-10031-T2-T3-W40-ND-06	LIGHT LINEAR PT 2 - LI-10031 - 2 x 12 LED - 2 x 27 W - 143°x56° - 142°x70° (2 sides) - 4000K - On/Off - Bronze
LI-10031-T2-T3-W30-ND-05	LIGHT LINEAR PT 2 - LI-10031 - 2 x 12 LED - 2 x 27 W - 143°x56° - 142°x70° (2 sides) - 3000K - On/Off - Matt Silver
LI-10031-T2-T3-W40-ND-05	LIGHT LINEAR PT 2 - LI-10031 - 2 x 12 LED - 2 x 27 W - 143°x56° - 142°x70° (2 sides) - 4000K - On/Off - Matt Silver
LI-10031-T2-T3-W30-ND-02	LIGHT LINEAR PT 2 - LI-10031 - 2 x 12 LED - 2 x 27 W - 143°x56° - 142°x70° (2 sides) - 3000K - On/Off - Dark Grey
LI-10031-T2-T3-W40-ND-02	LIGHT LINEAR PT 2 - LI-10031 - 2 x 12 LED - 2 x 27 W - 143°x56° - 142°x70° (2 sides) - 4000K - On/Off - Dark Grey
LI-10031-T2-T3-W30-ND-01	LIGHT LINEAR PT 2 - LI-10031 - 2 x 12 LED - 2 x 27 W - 143°x56° - 142°x70° (2 sides) - 3000K - On/Off - Black
LI-10031-T2-T3-W40-ND-01	LIGHT LINEAR PT 2 - LI-10031 - 2 x 12 LED - 2 x 27 W - 143°x56° - 142°x70° (2 sides) - 4000K - On/Off - Black
LI-10031-T2-T3-W30-ND-03	LIGHT LINEAR PT 2 - LI-10031 - 2 x 12 LED - 2 x 27 W - 143°x56° - 142°x70° (2 sides) - 3000K - On/Off - White
LI-10031-T2-T3-W40-ND-03	LIGHT LINEAR PT 2 - LI-10031 - 2 x 12 LED - 2 x 27 W - 143°x56° - 142°x70° (2 sides) - 4000K - On/Off - White
LI-10031-T3-T3-W30-ND-01	LIGHT LINEAR PT 2 - LI-10031 - 2 x 12 LED - 2 x 27 W - 142°x70° - 142°x70° (2 sides) - 3000K - On/Off - Black
LI-10031-T3-T3-W40-ND-01	LIGHT LINEAR PT 2 - LI-10031 - 2 x 12 LED - 2 x 27 W - 142°x70° - 142°x70° (2 sides) - 4000K - On/Off - Black

## LIGHT LINEAR PT 2 (LI-10031)

LI-10031-T3-T3-W30-ND-05	LIGHT LINEAR PT 2 - LI-10031 - 2 x 12 LED - 2 x 27 W - 142°x70° - 142°x70° (2 sides) - 3000K - On/Off - Matt Silver
LI-10031-T3-T3-W40-ND-05	LIGHT LINEAR PT 2 - LI-10031 - 2 x 12 LED - 2 x 27 W - 142°x70° - 142°x70° (2 sides) - 4000K - On/Off - Matt Silver
LI-10031-T3-T3-W30-ND-02	LIGHT LINEAR PT 2 - LI-10031 - 2 x 12 LED - 2 x 27 W - 142°x70° - 142°x70° (2 sides) - 3000K - On/Off - Dark Grey
LI-10031-T3-T3-W40-ND-02	LIGHT LINEAR PT 2 - LI-10031 - 2 x 12 LED - 2 x 27 W - 142°x70° - 142°x70° (2 sides) - 4000K - On/Off - Dark Grey
LI-10031-T3-T3-W30-ND-03	LIGHT LINEAR PT 2 - LI-10031 - 2 x 12 LED - 2 x 27 W - 142°x70° - 142°x70° (2 sides) - 3000K - On/Off - White
LI-10031-T3-T3-W40-ND-03	LIGHT LINEAR PT 2 - LI-10031 - 2 x 12 LED - 2 x 27 W - 142°x70° - 142°x70° (2 sides) - 4000K - On/Off - White
LI-10031-T3-T3-W30-ND-06	LIGHT LINEAR PT 2 - LI-10031 - 2 x 12 LED - 2 x 27 W - 142°x70° - 142°x70° (2 sides) - 3000K - On/Off - Bronze
LI-10031-T3-T3-W40-ND-06	LIGHT LINEAR PT 2 - LI-10031 - 2 x 12 LED - 2 x 27 W - 142°x70° - 142°x70° (2 sides) - 4000K - On/Off - Bronze
LI-10031-T4-T3-W30-ND-06	LIGHT LINEAR PT 2 - LI-10031 - 2 x 12 LED - 2 x 27 W - 100°x76° - 142°x70° (2 sides) - 3000K - On/Off - Bronze
LI-10031-T4-T3-W40-ND-06	LIGHT LINEAR PT 2 - LI-10031 - 2 x 12 LED - 2 x 27 W - 100°x76° - 142°x70° (2 sides) - 4000K - On/Off - Bronze
LI-10031-T4-T3-W30-ND-01	LIGHT LINEAR PT 2 - LI-10031 - 2 x 12 LED - 2 x 27 W - 100°x76° - 142°x70° (2 sides) - 3000K - On/Off - Black
LI-10031-T4-T3-W40-ND-01	LIGHT LINEAR PT 2 - LI-10031 - 2 x 12 LED - 2 x 27 W - 100°x76° - 142°x70° (2 sides) - 4000K - On/Off - Black
LI-10031-T4-T3-W30-ND-05	LIGHT LINEAR PT 2 - LI-10031 - 2 x 12 LED - 2 x 27 W - 100°x76° - 142°x70° (2 sides) - 3000K - On/Off - Matt Silver
LI-10031-T4-T3-W40-ND-05	LIGHT LINEAR PT 2 - LI-10031 - 2 x 12 LED - 2 x 27 W - 100°x76° - 142°x70° (2 sides) - 4000K - On/Off - Matt Silver
LI-10031-T4-T3-W30-ND-03	LIGHT LINEAR PT 2 - LI-10031 - 2 x 12 LED - 2 x 27 W - 100°x76° - 142°x70° (2 sides) - 3000K - On/Off - White
LI-10031-T4-T3-W40-ND-03	LIGHT LINEAR PT 2 - LI-10031 - 2 x 12 LED - 2 x 27 W - 100°x76° - 142°x70° (2 sides) - 4000K - On/Off - White
LI-10031-T4-T3-W30-ND-02	LIGHT LINEAR PT 2 - LI-10031 - 2 x 12 LED - 2 x 27 W - 100°x76° - 142°x70° (2 sides) - 3000K - On/Off - Dark Grey
LI-10031-T4-T3-W40-ND-02	LIGHT LINEAR PT 2 - LI-10031 - 2 x 12 LED - 2 x 27 W - 100°x76° - 142°x70° (2 sides) - 4000K - On/Off - Dark Grey
LI-10031-T2-T2-W30-ND-03	LIGHT LINEAR PT 2 - LI-10031 - 2 x 12 LED - 2 x 27 W - 143°x56° - 143°x56° (2 sides) - 3000K - On/Off - White
LI-10031-T2-T2-W40-ND-03	LIGHT LINEAR PT 2 - LI-10031 - 2 x 12 LED - 2 x 27 W - 143°x56° - 143°x56° (2 sides) - 4000K - On/Off - White
LI-10031-T2-T2-W30-ND-01	LIGHT LINEAR PT 2 - LI-10031 - 2 x 12 LED - 2 x 27 W - 143°x56° - 143°x56° (2 sides) - 3000K - On/Off - Black
LI-10031-T2-T2-W40-ND-01	LIGHT LINEAR PT 2 - LI-10031 - 2 x 12 LED - 2 x 27 W - 143°x56° - 143°x56° (2 sides) - 4000K - On/Off - Black
LI-10031-T2-T2-W30-ND-02	LIGHT LINEAR PT 2 - LI-10031 - 2 x 12 LED - 2 x 27 W - 143°x56° - 143°x56° (2 sides) - 3000K - On/Off - Dark Grey
LI-10031-T2-T2-W40-ND-02	LIGHT LINEAR PT 2 - LI-10031 - 2 x 12 LED - 2 x 27 W - 143°x56° - 143°x56° (2 sides) - 4000K - On/Off - Dark Grey
LI-10031-T2-T2-W30-ND-05	LIGHT LINEAR PT 2 - LI-10031 - 2 x 12 LED - 2 x 27 W - 143°x56° - 143°x56° (2 sides) - 3000K - On/Off - Matt Silver
LI-10031-T2-T2-W40-ND-05	LIGHT LINEAR PT 2 - LI-10031 - 2 x 12 LED - 2 x 27 W - 143°x56° - 143°x56° (2 sides) - 4000K - On/Off - Matt Silver
LI-10031-T2-T2-W30-ND-06	LIGHT LINEAR PT 2 - LI-10031 - 2 x 12 LED - 2 x 27 W - 143°x56° - 143°x56° (2 sides) - 3000K - On/Off - Bronze
LI-10031-T2-T2-W40-ND-06	LIGHT LINEAR PT 2 - LI-10031 - 2 x 12 LED - 2 x 27 W - 143°x56° - 143°x56° (2 sides) - 4000K - On/Off - Bronze
LI-10031-T3-T2-W30-ND-05	LIGHT LINEAR PT 2 - LI-10031 - 2 x 12 LED - 2 x 27 W - 142°x70° - 143°x56° (2 sides) - 3000K - On/Off - Matt Silver
LI-10031-T3-T2-W40-ND-05	LIGHT LINEAR PT 2 - LI-10031 - 2 x 12 LED - 2 x 27 W - 142°x70° - 143°x56° (2 sides) - 4000K - On/Off - Matt Silver
LI-10031-T3-T2-W30-ND-01	LIGHT LINEAR PT 2 - LI-10031 - 2 x 12 LED - 2 x 27 W - 142°x70° - 143°x56° (2 sides) - 3000K - On/Off - Black
LI-10031-T3-T2-W40-ND-01	LIGHT LINEAR PT 2 - LI-10031 - 2 x 12 LED - 2 x 27 W - 142°x70° - 143°x56° (2 sides) - 4000K - On/Off - Black
LI-10031-T3-T2-W30-ND-02	LIGHT LINEAR PT 2 - LI-10031 - 2 x 12 LED - 2 x 27 W - 142°x70° - 143°x56° (2 sides) - 3000K - On/Off - Dark Grey
LI-10031-T3-T2-W40-ND-02	LIGHT LINEAR PT 2 - LI-10031 - 2 x 12 LED - 2 x 27 W - 142°x70° - 143°x56° (2 sides) - 4000K - On/Off - Dark Grey
LI-10031-T3-T2-W30-ND-06	LIGHT LINEAR PT 2 - LI-10031 - 2 x 12 LED - 2 x 27 W - 142°x70° - 143°x56° (2 sides) - 3000K - On/Off - Bronze
LI-10031-T3-T2-W40-ND-06	LIGHT LINEAR PT 2 - LI-10031 - 2 x 12 LED - 2 x 27 W - 142°x70° - 143°x56° (2 sides) - 4000K - On/Off - Bronze
LI-10031-T3-T2-W30-ND-03	LIGHT LINEAR PT 2 - LI-10031 - 2 x 12 LED - 2 x 27 W - 142°x70° - 143°x56° (2 sides) - 3000K - On/Off - White
LI-10031-T3-T2-W40-ND-03	LIGHT LINEAR PT 2 - LI-10031 - 2 x 12 LED - 2 x 27 W - 142°x70° - 143°x56° (2 sides) - 4000K - On/Off - White
LI-10031-T4-T2-W30-ND-02	LIGHT LINEAR PT 2 - LI-10031 - 2 x 12 LED - 2 x 27 W - 100°x76° - 143°x56° (2 sides) - 3000K - On/Off - Dark Grey
LI-10031-T4-T2-W40-ND-02	LIGHT LINEAR PT 2 - LI-10031 - 2 x 12 LED - 2 x 27 W - 100°x76° - 143°x56° (2 sides) - 4000K - On/Off - Dark Grey
LI-10031-T4-T2-W30-ND-06	LIGHT LINEAR PT 2 - LI-10031 - 2 x 12 LED - 2 x 27 W - 100°x76° - 143°x56° (2 sides) - 3000K - On/Off - Bronze
LI-10031-T4-T2-W40-ND-06	LIGHT LINEAR PT 2 - LI-10031 - 2 x 12 LED - 2 x 27 W - 100°x76° - 143°x56° (2 sides) - 4000K - On/Off - Bronze
LI-10031-T4-T2-W30-ND-01	LIGHT LINEAR PT 2 - LI-10031 - 2 x 12 LED - 2 x 27 W - 100°x76° - 143°x56° (2 sides) - 3000K - On/Off - Black
LI-10031-T4-T2-W40-ND-01	LIGHT LINEAR PT 2 - LI-10031 - 2 x 12 LED - 2 x 27 W - 100°x76° - 143°x56° (2 sides) - 4000K - On/Off - Black
LI-10031-T4-T2-W30-ND-03	LIGHT LINEAR PT 2 - LI-10031 - 2 x 12 LED - 2 x 27 W - 100°x76° - 143°x56° (2 sides) - 3000K - On/Off - White
LI-10031-T4-T2-W40-ND-03	LIGHT LINEAR PT 2 - LI-10031 - 2 x 12 LED - 2 x 27 W - 100°x76° - 143°x56° (2 sides) - 4000K - On/Off - White
LI-10031-T4-T2-W30-ND-05	LIGHT LINEAR PT 2 - LI-10031 - 2 x 12 LED - 2 x 27 W - 100°x76° - 143°x56° (2 sides) - 3000K - On/Off - Matt Silver
LI-10031-T4-T2-W40-ND-05	LIGHT LINEAR PT 2 - LI-10031 - 2 x 12 LED - 2 x 27 W - 100°x76° - 143°x56° (2 sides) - 4000K - On/Off - Matt Silver