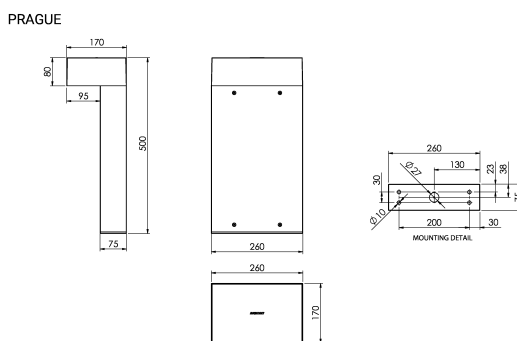


PRAGUE 3 (PRA-10021)

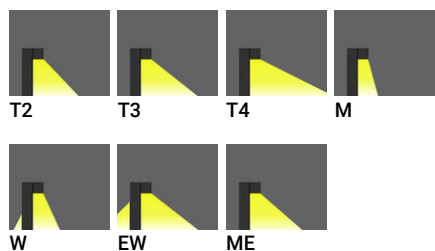


Структура светильника

- Корпус из литого алюминия, рама и столб из экструдированного алюминия предварительно обработаны перед нанесением порошкового покрытия, что обеспечивает высокую коррозионную стойкость
- Одинарный кабельный ввод
- Одинарный разъем IP68 поставляется с наружным кабелем 3x1,0 кв.
- Крепеж из нержавеющей стали класса 316
- Прочный уплотнитель из силиконовой резины
- Прозрачное закалённое стекло
- Высокоэффективная оптика из ПММА
- Встроенный механизм управления



Символ цвета



Цвет товара



Описание товара

260x75 mm - 500 mm

Техническая информация

Лампа	12 LED
Тип лампы	LED
Тип диммирования	On/Off, DALI, 1-10V
ЕЕС	A+
Материал	Aluminium
Вес	7.0 kg

Светильник	
Мощность	19.7 W
Люмен	2045 - 2422 lm
Эффективность	104 - 123 lm/W
ССТ	3000K, 4000K
Ток возбуждения	500mA

Мы оставляем за собой право вносить технические и конструктивные изменения.

07:47, 16-01-2020

<https://www.ligman.com/ru/prague-3-pra-10021/>

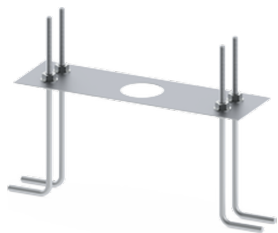
Европа
LIGMAN EUROPE s.r.o.
VGP Park Ústí nad Labem
P 2 120
40317, Přestanov
Czech Republic
+420 477 071 500
sales.cz@ligman.com

Страны азиатско-тихоокеанского региона
LIGMAN Lighting Co.,Ltd.
17/2 Moo4 Monthong
Bangnampreaw
24150, Chachoengsao
Thailand
+66 2 108 6700
info@ligman.com

PRAGUE 3 (PRA-10021)**Оптика**

T2 [137°x58°], T3 [124°x86°],
T4 [108°x66°], M [30°], W
[56°], EW [109°x102°], ME
[140°x62°]

PRAGUE 3 (PRA-10021)Аксессуары



Anchor bolt
A12091

PRAGUE 3 (PRA-10021)

Variant reference	Variant name	Люмен (Светильник)
PRA-10021-T2-W30-ND-02	PRAGUE 3 - PRA-10021 - 12 LED - 19.7 W - 137°x58° - 3000K - On/Off - Dark Grey	2228 lm
PRA-10021-T2-W40-ND-02	PRAGUE 3 - PRA-10021 - 12 LED - 19.7 W - 137°x58° - 4000K - On/Off - Dark Grey	2359 lm
PRA-10021-T2-W30-ND-06	PRAGUE 3 - PRA-10021 - 12 LED - 19.7 W - 137°x58° - 3000K - On/Off - Bronze	2228 lm
PRA-10021-T2-W40-ND-06	PRAGUE 3 - PRA-10021 - 12 LED - 19.7 W - 137°x58° - 4000K - On/Off - Bronze	2359 lm
PRA-10021-T2-W30-DA-01	PRAGUE 3 - PRA-10021 - 12 LED - 19.7 W - 137°x58° - 3000K - DALI - Black	2228 lm
PRA-10021-T2-W40-DA-01	PRAGUE 3 - PRA-10021 - 12 LED - 19.7 W - 137°x58° - 4000K - DALI - Black	2359 lm
PRA-10021-T2-W30-ND-03	PRAGUE 3 - PRA-10021 - 12 LED - 19.7 W - 137°x58° - 3000K - On/Off - White	2228 lm
PRA-10021-T2-W40-ND-03	PRAGUE 3 - PRA-10021 - 12 LED - 19.7 W - 137°x58° - 4000K - On/Off - White	2359 lm
PRA-10021-T2-W30-DA-02	PRAGUE 3 - PRA-10021 - 12 LED - 19.7 W - 137°x58° - 3000K - DALI - Dark Grey	2228 lm
PRA-10021-T2-W40-DA-02	PRAGUE 3 - PRA-10021 - 12 LED - 19.7 W - 137°x58° - 4000K - DALI - Dark Grey	2359 lm
PRA-10021-T2-W30-DA-05	PRAGUE 3 - PRA-10021 - 12 LED - 19.7 W - 137°x58° - 3000K - DALI - Matt Silver	2228 lm
PRA-10021-T2-W40-DA-05	PRAGUE 3 - PRA-10021 - 12 LED - 19.7 W - 137°x58° - 4000K - DALI - Matt Silver	2359 lm
PRA-10021-T2-W30-DI-02	PRAGUE 3 - PRA-10021 - 12 LED - 19.7 W - 137°x58° - 3000K - 1-10V - Dark Grey	2228 lm
PRA-10021-T2-W40-DI-02	PRAGUE 3 - PRA-10021 - 12 LED - 19.7 W - 137°x58° - 4000K - 1-10V - Dark Grey	2359 lm
PRA-10021-T2-W30-DI-05	PRAGUE 3 - PRA-10021 - 12 LED - 19.7 W - 137°x58° - 3000K - 1-10V - Matt Silver	2228 lm
PRA-10021-T2-W40-DI-05	PRAGUE 3 - PRA-10021 - 12 LED - 19.7 W - 137°x58° - 4000K - 1-10V - Matt Silver	2359 lm
PRA-10021-T2-W30-DA-03	PRAGUE 3 - PRA-10021 - 12 LED - 19.7 W - 137°x58° - 3000K - DALI - White	2228 lm
PRA-10021-T2-W40-DA-03	PRAGUE 3 - PRA-10021 - 12 LED - 19.7 W - 137°x58° - 4000K - DALI - White	2359 lm
PRA-10021-T2-W30-ND-05	PRAGUE 3 - PRA-10021 - 12 LED - 19.7 W - 137°x58° - 3000K - On/Off - Matt Silver	2228 lm
PRA-10021-T2-W40-ND-05	PRAGUE 3 - PRA-10021 - 12 LED - 19.7 W - 137°x58° - 4000K - On/Off - Matt Silver	2359 lm
PRA-10021-T2-W30-DA-06	PRAGUE 3 - PRA-10021 - 12 LED - 19.7 W - 137°x58° - 3000K - DALI - Bronze	2228 lm
PRA-10021-T2-W40-DA-06	PRAGUE 3 - PRA-10021 - 12 LED - 19.7 W - 137°x58° - 4000K - DALI - Bronze	2359 lm
PRA-10021-T2-W30-DI-01	PRAGUE 3 - PRA-10021 - 12 LED - 19.7 W - 137°x58° - 3000K - 1-10V - Black	2228 lm
PRA-10021-T2-W40-DI-01	PRAGUE 3 - PRA-10021 - 12 LED - 19.7 W - 137°x58° - 4000K - 1-10V - Black	2359 lm
PRA-10021-T2-W30-DI-06	PRAGUE 3 - PRA-10021 - 12 LED - 19.7 W - 137°x58° - 3000K - 1-10V - Bronze	2228 lm
PRA-10021-T2-W40-DI-06	PRAGUE 3 - PRA-10021 - 12 LED - 19.7 W - 137°x58° - 4000K - 1-10V - Bronze	2359 lm
PRA-10021-T2-W30-ND-01	PRAGUE 3 - PRA-10021 - 12 LED - 19.7 W - 137°x58° - 3000K - On/Off - Black	2228 lm
PRA-10021-T2-W40-ND-01	PRAGUE 3 - PRA-10021 - 12 LED - 19.7 W - 137°x58° - 4000K - On/Off - Black	2359 lm
PRA-10021-T2-W30-DI-03	PRAGUE 3 - PRA-10021 - 12 LED - 19.7 W - 137°x58° - 3000K - 1-10V - White	2228 lm
PRA-10021-T2-W40-DI-03	PRAGUE 3 - PRA-10021 - 12 LED - 19.7 W - 137°x58° - 4000K - 1-10V - White	2359 lm
PRA-10021-T3-W40-DA-05	PRAGUE 3 - PRA-10021 - 12 LED - 19.7 W - 124°x86° - 4000K - DALI - Matt Silver	2176 lm
PRA-10021-T3-W30-DA-05	PRAGUE 3 - PRA-10021 - 12 LED - 19.7 W - 124°x86° - 3000K - DALI - Matt Silver	2055 lm
PRA-10021-T3-W40-ND-03	PRAGUE 3 - PRA-10021 - 12 LED - 19.7 W - 124°x86° - 4000K - On/Off - White	2176 lm
PRA-10021-T3-W30-ND-03	PRAGUE 3 - PRA-10021 - 12 LED - 19.7 W - 124°x86° - 3000K - On/Off - White	2055 lm
PRA-10021-T3-W40-ND-01	PRAGUE 3 - PRA-10021 - 12 LED - 19.7 W - 124°x86° - 4000K - On/Off - Black	2176 lm
PRA-10021-T3-W30-ND-01	PRAGUE 3 - PRA-10021 - 12 LED - 19.7 W - 124°x86° - 3000K - On/Off - Black	2055 lm
PRA-10021-T3-W40-DI-05	PRAGUE 3 - PRA-10021 - 12 LED - 19.7 W - 124°x86° - 4000K - 1-10V - Matt Silver	2176 lm
PRA-10021-T3-W30-DI-05	PRAGUE 3 - PRA-10021 - 12 LED - 19.7 W - 124°x86° - 3000K - 1-10V - Matt Silver	2055 lm
PRA-10021-T3-W40-DI-01	PRAGUE 3 - PRA-10021 - 12 LED - 19.7 W - 124°x86° - 4000K - 1-10V - Black	2176 lm
PRA-10021-T3-W30-DI-01	PRAGUE 3 - PRA-10021 - 12 LED - 19.7 W - 124°x86° - 3000K - 1-10V - Black	2055 lm
PRA-10021-T3-W40-DI-02	PRAGUE 3 - PRA-10021 - 12 LED - 19.7 W - 124°x86° - 4000K - 1-10V - Dark Grey	2176 lm
PRA-10021-T3-W30-DI-02	PRAGUE 3 - PRA-10021 - 12 LED - 19.7 W - 124°x86° - 3000K - 1-10V - Dark Grey	2055 lm
PRA-10021-T3-W40-DI-06	PRAGUE 3 - PRA-10021 - 12 LED - 19.7 W - 124°x86° - 4000K - 1-10V - Bronze	2176 lm
PRA-10021-T3-W30-DI-06	PRAGUE 3 - PRA-10021 - 12 LED - 19.7 W - 124°x86° - 3000K - 1-10V - Bronze	2055 lm
PRA-10021-T3-W40-DI-03	PRAGUE 3 - PRA-10021 - 12 LED - 19.7 W - 124°x86° - 4000K - 1-10V - White	2176 lm
PRA-10021-T3-W30-DI-03	PRAGUE 3 - PRA-10021 - 12 LED - 19.7 W - 124°x86° - 3000K - 1-10V - White	2055 lm
PRA-10021-T3-W40-DA-03	PRAGUE 3 - PRA-10021 - 12 LED - 19.7 W - 124°x86° - 4000K - DALI - White	2176 lm
PRA-10021-T3-W30-DA-03	PRAGUE 3 - PRA-10021 - 12 LED - 19.7 W - 124°x86° - 3000K - DALI - White	2055 lm
PRA-10021-T3-W40-DA-02	PRAGUE 3 - PRA-10021 - 12 LED - 19.7 W - 124°x86° - 4000K - DALI - Dark Grey	2176 lm
PRA-10021-T3-W30-DA-02	PRAGUE 3 - PRA-10021 - 12 LED - 19.7 W - 124°x86° - 3000K - DALI - Dark Grey	2055 lm
PRA-10021-T3-W40-ND-06	PRAGUE 3 - PRA-10021 - 12 LED - 19.7 W - 124°x86° - 4000K - On/Off - Bronze	2176 lm
PRA-10021-T3-W30-ND-06	PRAGUE 3 - PRA-10021 - 12 LED - 19.7 W - 124°x86° - 3000K - On/Off - Bronze	2055 lm
PRA-10021-T3-W40-ND-05	PRAGUE 3 - PRA-10021 - 12 LED - 19.7 W - 124°x86° - 4000K - On/Off - Matt Silver	2176 lm
PRA-10021-T3-W30-ND-05	PRAGUE 3 - PRA-10021 - 12 LED - 19.7 W - 124°x86° - 3000K - On/Off - Matt Silver	2055 lm
PRA-10021-T3-W40-DA-01	PRAGUE 3 - PRA-10021 - 12 LED - 19.7 W - 124°x86° - 4000K - DALI - Black	2176 lm
PRA-10021-T3-W30-DA-01	PRAGUE 3 - PRA-10021 - 12 LED - 19.7 W - 124°x86° - 3000K - DALI - Black	2055 lm
PRA-10021-T3-W40-DA-06	PRAGUE 3 - PRA-10021 - 12 LED - 19.7 W - 124°x86° - 4000K - DALI - Bronze	2176 lm
PRA-10021-T3-W30-DA-06	PRAGUE 3 - PRA-10021 - 12 LED - 19.7 W - 124°x86° - 3000K - DALI - Bronze	2055 lm

Мы оставляем за собой право вносить технические и конструктивные изменения.

07:47, 16-01-2020

<https://www.ligman.com/ru/prague-3-pra-10021/>

Европа
LIGMAN EUROPE s.r.o.
VGP Park Ústí nad Labem
P 2 120
40317, Přestanov
Czech Republic
+420 477 071 500
sales.cz@ligman.com

Страны азиатско-тихоокеанского региона
LIGMAN Lighting Co.,Ltd.
17/2 Moo4 Monthong
Bangnampreaw
24150, Chachoengsao
Thailand
+66 2 108 6700
info@ligman.com

PRAGUE 3 (PRA-10021)

PRA-10021-T3-W40-ND-02	PRAGUE 3 - PRA-10021 - 12 LED - 19.7 W - 124°x86° - 4000K - On/Off - Dark Grey	2176 lm
PRA-10021-T3-W30-ND-02	PRAGUE 3 - PRA-10021 - 12 LED - 19.7 W - 124°x86° - 3000K - On/Off - Dark Grey	2055 lm
PRA-10021-T4-W30-ND-02	PRAGUE 3 - PRA-10021 - 12 LED - 19.7 W - 108°x66° - 3000K - On/Off - Dark Grey	2045 lm
PRA-10021-T4-W40-ND-02	PRAGUE 3 - PRA-10021 - 12 LED - 19.7 W - 108°x66° - 4000K - On/Off - Dark Grey	2166 lm
PRA-10021-T4-W30-DA-03	PRAGUE 3 - PRA-10021 - 12 LED - 19.7 W - 108°x66° - 3000K - DALI - White	2045 lm
PRA-10021-T4-W40-DA-03	PRAGUE 3 - PRA-10021 - 12 LED - 19.7 W - 108°x66° - 4000K - DALI - White	2166 lm
PRA-10021-T4-W30-ND-05	PRAGUE 3 - PRA-10021 - 12 LED - 19.7 W - 108°x66° - 3000K - On/Off - Matt Silver	2045 lm
PRA-10021-T4-W40-ND-05	PRAGUE 3 - PRA-10021 - 12 LED - 19.7 W - 108°x66° - 4000K - On/Off - Matt Silver	2166 lm
PRA-10021-T4-W30-DI-02	PRAGUE 3 - PRA-10021 - 12 LED - 19.7 W - 108°x66° - 3000K - 1-10V - Dark Grey	2045 lm
PRA-10021-T4-W40-DI-02	PRAGUE 3 - PRA-10021 - 12 LED - 19.7 W - 108°x66° - 4000K - 1-10V - Dark Grey	2166 lm
PRA-10021-T4-W30-DI-01	PRAGUE 3 - PRA-10021 - 12 LED - 19.7 W - 108°x66° - 3000K - 1-10V - Black	2045 lm
PRA-10021-T4-W40-DI-01	PRAGUE 3 - PRA-10021 - 12 LED - 19.7 W - 108°x66° - 4000K - 1-10V - Black	2166 lm
PRA-10021-T4-W30-DA-01	PRAGUE 3 - PRA-10021 - 12 LED - 19.7 W - 108°x66° - 3000K - DALI - Black	2045 lm
PRA-10021-T4-W40-DA-01	PRAGUE 3 - PRA-10021 - 12 LED - 19.7 W - 108°x66° - 4000K - DALI - Black	2166 lm
PRA-10021-T4-W30-DI-05	PRAGUE 3 - PRA-10021 - 12 LED - 19.7 W - 108°x66° - 3000K - 1-10V - Matt Silver	2045 lm
PRA-10021-T4-W40-DI-05	PRAGUE 3 - PRA-10021 - 12 LED - 19.7 W - 108°x66° - 4000K - 1-10V - Matt Silver	2166 lm
PRA-10021-T4-W30-ND-01	PRAGUE 3 - PRA-10021 - 12 LED - 19.7 W - 108°x66° - 3000K - On/Off - Black	2045 lm
PRA-10021-T4-W40-ND-01	PRAGUE 3 - PRA-10021 - 12 LED - 19.7 W - 108°x66° - 4000K - On/Off - Black	2166 lm
PRA-10021-T4-W30-DI-03	PRAGUE 3 - PRA-10021 - 12 LED - 19.7 W - 108°x66° - 3000K - 1-10V - White	2045 lm
PRA-10021-T4-W40-DI-03	PRAGUE 3 - PRA-10021 - 12 LED - 19.7 W - 108°x66° - 4000K - 1-10V - White	2166 lm
PRA-10021-T4-W30-DA-02	PRAGUE 3 - PRA-10021 - 12 LED - 19.7 W - 108°x66° - 3000K - DALI - Dark Grey	2045 lm
PRA-10021-T4-W40-DA-02	PRAGUE 3 - PRA-10021 - 12 LED - 19.7 W - 108°x66° - 4000K - DALI - Dark Grey	2166 lm
PRA-10021-T4-W30-DA-06	PRAGUE 3 - PRA-10021 - 12 LED - 19.7 W - 108°x66° - 3000K - DALI - Bronze	2045 lm
PRA-10021-T4-W40-DA-06	PRAGUE 3 - PRA-10021 - 12 LED - 19.7 W - 108°x66° - 4000K - DALI - Bronze	2166 lm
PRA-10021-T4-W30-ND-03	PRAGUE 3 - PRA-10021 - 12 LED - 19.7 W - 108°x66° - 3000K - On/Off - White	2045 lm
PRA-10021-T4-W40-ND-03	PRAGUE 3 - PRA-10021 - 12 LED - 19.7 W - 108°x66° - 4000K - On/Off - White	2166 lm
PRA-10021-T4-W30-DA-05	PRAGUE 3 - PRA-10021 - 12 LED - 19.7 W - 108°x66° - 3000K - DALI - Matt Silver	2045 lm
PRA-10021-T4-W40-DA-05	PRAGUE 3 - PRA-10021 - 12 LED - 19.7 W - 108°x66° - 4000K - DALI - Matt Silver	2166 lm
PRA-10021-T4-W30-ND-06	PRAGUE 3 - PRA-10021 - 12 LED - 19.7 W - 108°x66° - 3000K - On/Off - Bronze	2045 lm
PRA-10021-T4-W40-ND-06	PRAGUE 3 - PRA-10021 - 12 LED - 19.7 W - 108°x66° - 4000K - On/Off - Bronze	2166 lm
PRA-10021-T4-W30-DI-06	PRAGUE 3 - PRA-10021 - 12 LED - 19.7 W - 108°x66° - 3000K - 1-10V - Bronze	2045 lm
PRA-10021-T4-W40-DI-06	PRAGUE 3 - PRA-10021 - 12 LED - 19.7 W - 108°x66° - 4000K - 1-10V - Bronze	2166 lm
PRA-10021-M-W30-DA-01	PRAGUE 3 - PRA-10021 - 12 LED - 19.7 W - 30° - 3000K - DALI - Black	2287 lm
PRA-10021-M-W40-DA-01	PRAGUE 3 - PRA-10021 - 12 LED - 19.7 W - 30° - 4000K - DALI - Black	2422 lm
PRA-10021-M-W30-DA-05	PRAGUE 3 - PRA-10021 - 12 LED - 19.7 W - 30° - 3000K - DALI - Matt Silver	2287 lm
PRA-10021-M-W40-DA-05	PRAGUE 3 - PRA-10021 - 12 LED - 19.7 W - 30° - 4000K - DALI - Matt Silver	2422 lm
PRA-10021-M-W30-DI-01	PRAGUE 3 - PRA-10021 - 12 LED - 19.7 W - 30° - 3000K - 1-10V - Black	2287 lm
PRA-10021-M-W40-DI-01	PRAGUE 3 - PRA-10021 - 12 LED - 19.7 W - 30° - 4000K - 1-10V - Black	2422 lm
PRA-10021-M-W30-DA-06	PRAGUE 3 - PRA-10021 - 12 LED - 19.7 W - 30° - 3000K - DALI - Bronze	2287 lm
PRA-10021-M-W40-DA-06	PRAGUE 3 - PRA-10021 - 12 LED - 19.7 W - 30° - 4000K - DALI - Bronze	2422 lm
PRA-10021-M-W30-DA-03	PRAGUE 3 - PRA-10021 - 12 LED - 19.7 W - 30° - 3000K - DALI - White	2287 lm
PRA-10021-M-W40-DA-03	PRAGUE 3 - PRA-10021 - 12 LED - 19.7 W - 30° - 4000K - DALI - White	2422 lm
PRA-10021-M-W30-DA-02	PRAGUE 3 - PRA-10021 - 12 LED - 19.7 W - 30° - 3000K - DALI - Dark Grey	2287 lm
PRA-10021-M-W40-DA-02	PRAGUE 3 - PRA-10021 - 12 LED - 19.7 W - 30° - 4000K - DALI - Dark Grey	2422 lm
PRA-10021-M-W30-DI-03	PRAGUE 3 - PRA-10021 - 12 LED - 19.7 W - 30° - 3000K - 1-10V - White	2287 lm
PRA-10021-M-W40-DI-03	PRAGUE 3 - PRA-10021 - 12 LED - 19.7 W - 30° - 4000K - 1-10V - White	2422 lm
PRA-10021-M-W30-DI-05	PRAGUE 3 - PRA-10021 - 12 LED - 19.7 W - 30° - 3000K - 1-10V - Matt Silver	2287 lm
PRA-10021-M-W40-DI-05	PRAGUE 3 - PRA-10021 - 12 LED - 19.7 W - 30° - 4000K - 1-10V - Matt Silver	2422 lm
PRA-10021-M-W30-ND-01	PRAGUE 3 - PRA-10021 - 12 LED - 19.7 W - 30° - 3000K - On/Off - Black	2287 lm
PRA-10021-M-W40-ND-01	PRAGUE 3 - PRA-10021 - 12 LED - 19.7 W - 30° - 4000K - On/Off - Black	2422 lm
PRA-10021-M-W30-ND-05	PRAGUE 3 - PRA-10021 - 12 LED - 19.7 W - 30° - 3000K - On/Off - Matt Silver	2287 lm
PRA-10021-M-W40-ND-05	PRAGUE 3 - PRA-10021 - 12 LED - 19.7 W - 30° - 4000K - On/Off - Matt Silver	2422 lm
PRA-10021-M-W30-DI-06	PRAGUE 3 - PRA-10021 - 12 LED - 19.7 W - 30° - 3000K - 1-10V - Bronze	2287 lm
PRA-10021-M-W40-DI-06	PRAGUE 3 - PRA-10021 - 12 LED - 19.7 W - 30° - 4000K - 1-10V - Bronze	2422 lm
PRA-10021-M-W30-DI-02	PRAGUE 3 - PRA-10021 - 12 LED - 19.7 W - 30° - 3000K - 1-10V - Dark Grey	2287 lm
PRA-10021-M-W40-DI-02	PRAGUE 3 - PRA-10021 - 12 LED - 19.7 W - 30° - 4000K - 1-10V - Dark Grey	2422 lm
PRA-10021-M-W30-ND-03	PRAGUE 3 - PRA-10021 - 12 LED - 19.7 W - 30° - 3000K - On/Off - White	2287 lm
PRA-10021-M-W40-ND-03	PRAGUE 3 - PRA-10021 - 12 LED - 19.7 W - 30° - 4000K - On/Off - White	2422 lm
PRA-10021-M-W30-ND-06	PRAGUE 3 - PRA-10021 - 12 LED - 19.7 W - 30° - 3000K - On/Off - Bronze	2287 lm

PRAGUE 3 (PRA-10021)

PRA-10021-M-W40-ND-06	PRAGUE 3 - PRA-10021 - 12 LED - 19.7 W - 30° - 4000K - On/Off - Bronze	2422 lm
PRA-10021-M-W30-ND-02	PRAGUE 3 - PRA-10021 - 12 LED - 19.7 W - 30° - 3000K - On/Off - Dark Grey	2287 lm
PRA-10021-M-W40-ND-02	PRAGUE 3 - PRA-10021 - 12 LED - 19.7 W - 30° - 4000K - On/Off - Dark Grey	2422 lm
PRA-10021-W-W30-DI-06	PRAGUE 3 - PRA-10021 - 12 LED - 19.7 W - 56° - 3000K - 1-10V - Bronze	2268 lm
PRA-10021-W-W40-DI-06	PRAGUE 3 - PRA-10021 - 12 LED - 19.7 W - 56° - 4000K - 1-10V - Bronze	2402 lm
PRA-10021-W-W30-DA-06	PRAGUE 3 - PRA-10021 - 12 LED - 19.7 W - 56° - 3000K - DALI - Bronze	2268 lm
PRA-10021-W-W40-DA-06	PRAGUE 3 - PRA-10021 - 12 LED - 19.7 W - 56° - 4000K - DALI - Bronze	2402 lm
PRA-10021-W-W30-ND-03	PRAGUE 3 - PRA-10021 - 12 LED - 19.7 W - 56° - 3000K - On/Off - White	2268 lm
PRA-10021-W-W40-ND-03	PRAGUE 3 - PRA-10021 - 12 LED - 19.7 W - 56° - 4000K - On/Off - White	2402 lm
PRA-10021-W-W30-DA-05	PRAGUE 3 - PRA-10021 - 12 LED - 19.7 W - 56° - 3000K - DALI - Matt Silver	2268 lm
PRA-10021-W-W40-DA-05	PRAGUE 3 - PRA-10021 - 12 LED - 19.7 W - 56° - 4000K - DALI - Matt Silver	2402 lm
PRA-10021-W-W30-ND-06	PRAGUE 3 - PRA-10021 - 12 LED - 19.7 W - 56° - 3000K - On/Off - Bronze	2268 lm
PRA-10021-W-W40-ND-06	PRAGUE 3 - PRA-10021 - 12 LED - 19.7 W - 56° - 4000K - On/Off - Bronze	2402 lm
PRA-10021-W-W30-ND-01	PRAGUE 3 - PRA-10021 - 12 LED - 19.7 W - 56° - 3000K - On/Off - Black	2268 lm
PRA-10021-W-W40-ND-01	PRAGUE 3 - PRA-10021 - 12 LED - 19.7 W - 56° - 4000K - On/Off - Black	2402 lm
PRA-10021-W-W30-DI-05	PRAGUE 3 - PRA-10021 - 12 LED - 19.7 W - 56° - 3000K - 1-10V - Matt Silver	2268 lm
PRA-10021-W-W40-DI-05	PRAGUE 3 - PRA-10021 - 12 LED - 19.7 W - 56° - 4000K - 1-10V - Matt Silver	2402 lm
PRA-10021-W-W30-DA-02	PRAGUE 3 - PRA-10021 - 12 LED - 19.7 W - 56° - 3000K - DALI - Dark Grey	2268 lm
PRA-10021-W-W40-DA-02	PRAGUE 3 - PRA-10021 - 12 LED - 19.7 W - 56° - 4000K - DALI - Dark Grey	2402 lm
PRA-10021-W-W30-DI-03	PRAGUE 3 - PRA-10021 - 12 LED - 19.7 W - 56° - 3000K - 1-10V - White	2268 lm
PRA-10021-W-W40-DI-03	PRAGUE 3 - PRA-10021 - 12 LED - 19.7 W - 56° - 4000K - 1-10V - White	2402 lm
PRA-10021-W-W30-DA-01	PRAGUE 3 - PRA-10021 - 12 LED - 19.7 W - 56° - 3000K - DALI - Black	2268 lm
PRA-10021-W-W40-DA-01	PRAGUE 3 - PRA-10021 - 12 LED - 19.7 W - 56° - 4000K - DALI - Black	2402 lm
PRA-10021-W-W30-ND-02	PRAGUE 3 - PRA-10021 - 12 LED - 19.7 W - 56° - 3000K - On/Off - Dark Grey	2268 lm
PRA-10021-W-W40-ND-02	PRAGUE 3 - PRA-10021 - 12 LED - 19.7 W - 56° - 4000K - On/Off - Dark Grey	2402 lm
PRA-10021-W-W30-DI-02	PRAGUE 3 - PRA-10021 - 12 LED - 19.7 W - 56° - 3000K - 1-10V - Dark Grey	2268 lm
PRA-10021-W-W40-DI-02	PRAGUE 3 - PRA-10021 - 12 LED - 19.7 W - 56° - 4000K - 1-10V - Dark Grey	2402 lm
PRA-10021-W-W30-DI-01	PRAGUE 3 - PRA-10021 - 12 LED - 19.7 W - 56° - 3000K - 1-10V - Black	2268 lm
PRA-10021-W-W40-DI-01	PRAGUE 3 - PRA-10021 - 12 LED - 19.7 W - 56° - 4000K - 1-10V - Black	2402 lm
PRA-10021-W-W30-DA-03	PRAGUE 3 - PRA-10021 - 12 LED - 19.7 W - 56° - 3000K - DALI - White	2268 lm
PRA-10021-W-W40-DA-03	PRAGUE 3 - PRA-10021 - 12 LED - 19.7 W - 56° - 4000K - DALI - White	2402 lm
PRA-10021-W-W30-ND-05	PRAGUE 3 - PRA-10021 - 12 LED - 19.7 W - 56° - 3000K - On/Off - Matt Silver	2268 lm
PRA-10021-W-W40-ND-05	PRAGUE 3 - PRA-10021 - 12 LED - 19.7 W - 56° - 4000K - On/Off - Matt Silver	2402 lm
PRA-10021-EW-W30-ND-06	PRAGUE 3 - PRA-10021 - 12 LED - 19.7 W - 109°x102° - 3000K - On/Off - Bronze	2198 lm
PRA-10021-EW-W40-ND-06	PRAGUE 3 - PRA-10021 - 12 LED - 19.7 W - 109°x102° - 4000K - On/Off - Bronze	2327 lm
PRA-10021-EW-W30-ND-02	PRAGUE 3 - PRA-10021 - 12 LED - 19.7 W - 109°x102° - 3000K - On/Off - Dark Grey	2198 lm
PRA-10021-EW-W40-ND-02	PRAGUE 3 - PRA-10021 - 12 LED - 19.7 W - 109°x102° - 4000K - On/Off - Dark Grey	2327 lm
PRA-10021-EW-W30-DA-03	PRAGUE 3 - PRA-10021 - 12 LED - 19.7 W - 109°x102° - 3000K - DALI - White	2198 lm
PRA-10021-EW-W40-DA-03	PRAGUE 3 - PRA-10021 - 12 LED - 19.7 W - 109°x102° - 4000K - DALI - White	2327 lm
PRA-10021-EW-W30-DA-06	PRAGUE 3 - PRA-10021 - 12 LED - 19.7 W - 109°x102° - 3000K - DALI - Bronze	2198 lm
PRA-10021-EW-W40-DA-06	PRAGUE 3 - PRA-10021 - 12 LED - 19.7 W - 109°x102° - 4000K - DALI - Bronze	2327 lm
PRA-10021-EW-W30-ND-01	PRAGUE 3 - PRA-10021 - 12 LED - 19.7 W - 109°x102° - 3000K - On/Off - Black	2198 lm
PRA-10021-EW-W40-ND-01	PRAGUE 3 - PRA-10021 - 12 LED - 19.7 W - 109°x102° - 4000K - On/Off - Black	2327 lm
PRA-10021-EW-W30-ND-05	PRAGUE 3 - PRA-10021 - 12 LED - 19.7 W - 109°x102° - 3000K - On/Off - Matt Silver	2198 lm
PRA-10021-EW-W40-ND-05	PRAGUE 3 - PRA-10021 - 12 LED - 19.7 W - 109°x102° - 4000K - On/Off - Matt Silver	2327 lm
PRA-10021-EW-W30-DA-01	PRAGUE 3 - PRA-10021 - 12 LED - 19.7 W - 109°x102° - 3000K - DALI - Black	2198 lm
PRA-10021-EW-W40-DA-01	PRAGUE 3 - PRA-10021 - 12 LED - 19.7 W - 109°x102° - 4000K - DALI - Black	2327 lm
PRA-10021-EW-W30-DI-05	PRAGUE 3 - PRA-10021 - 12 LED - 19.7 W - 109°x102° - 3000K - 1-10V - Matt Silver	2198 lm
PRA-10021-EW-W40-DI-05	PRAGUE 3 - PRA-10021 - 12 LED - 19.7 W - 109°x102° - 4000K - 1-10V - Matt Silver	2327 lm
PRA-10021-EW-W30-DI-06	PRAGUE 3 - PRA-10021 - 12 LED - 19.7 W - 109°x102° - 3000K - 1-10V - Bronze	2198 lm
PRA-10021-EW-W40-DI-06	PRAGUE 3 - PRA-10021 - 12 LED - 19.7 W - 109°x102° - 4000K - 1-10V - Bronze	2327 lm
PRA-10021-EW-W30-DI-01	PRAGUE 3 - PRA-10021 - 12 LED - 19.7 W - 109°x102° - 3000K - 1-10V - Black	2198 lm
PRA-10021-EW-W40-DI-01	PRAGUE 3 - PRA-10021 - 12 LED - 19.7 W - 109°x102° - 4000K - 1-10V - Black	2327 lm
PRA-10021-EW-W30-DI-02	PRAGUE 3 - PRA-10021 - 12 LED - 19.7 W - 109°x102° - 3000K - 1-10V - Dark Grey	2198 lm
PRA-10021-EW-W40-DI-02	PRAGUE 3 - PRA-10021 - 12 LED - 19.7 W - 109°x102° - 4000K - 1-10V - Dark Grey	2327 lm
PRA-10021-EW-W30-DI-03	PRAGUE 3 - PRA-10021 - 12 LED - 19.7 W - 109°x102° - 3000K - 1-10V - White	2198 lm
PRA-10021-EW-W40-DI-03	PRAGUE 3 - PRA-10021 - 12 LED - 19.7 W - 109°x102° - 4000K - 1-10V - White	2327 lm
PRA-10021-EW-W30-DA-02	PRAGUE 3 - PRA-10021 - 12 LED - 19.7 W - 109°x102° - 3000K - DALI - Dark Grey	2198 lm
PRA-10021-EW-W40-DA-02	PRAGUE 3 - PRA-10021 - 12 LED - 19.7 W - 109°x102° - 4000K - DALI - Dark Grey	2327 lm

PRAGUE 3 (PRA-10021)

PRA-10021-EW-W30-DA-05	PRAGUE 3 - PRA-10021 - 12 LED - 19.7 W - 109°x102° - 3000K - DALI - Matt Silver	2198 lm
PRA-10021-EW-W40-DA-05	PRAGUE 3 - PRA-10021 - 12 LED - 19.7 W - 109°x102° - 4000K - DALI - Matt Silver	2327 lm
PRA-10021-EW-W30-ND-03	PRAGUE 3 - PRA-10021 - 12 LED - 19.7 W - 109°x102° - 3000K - On/Off - White	2198 lm
PRA-10021-EW-W40-ND-03	PRAGUE 3 - PRA-10021 - 12 LED - 19.7 W - 109°x102° - 4000K - On/Off - White	2327 lm
PRA-10021-ME-W40-DI-01	PRAGUE 3 - PRA-10021 - 12 LED - 19.7 W - 140°x62° - 4000K - 1-10V - Black	2266 lm
PRA-10021-ME-W30-DI-01	PRAGUE 3 - PRA-10021 - 12 LED - 19.7 W - 140°x62° - 3000K - 1-10V - Black	2140 lm
PRA-10021-ME-W40-DA-03	PRAGUE 3 - PRA-10021 - 12 LED - 19.7 W - 140°x62° - 4000K - DALI - White	2266 lm
PRA-10021-ME-W30-DA-03	PRAGUE 3 - PRA-10021 - 12 LED - 19.7 W - 140°x62° - 3000K - DALI - White	2140 lm
PRA-10021-ME-W40-DA-02	PRAGUE 3 - PRA-10021 - 12 LED - 19.7 W - 140°x62° - 4000K - DALI - Dark Grey	2266 lm
PRA-10021-ME-W30-DA-02	PRAGUE 3 - PRA-10021 - 12 LED - 19.7 W - 140°x62° - 3000K - DALI - Dark Grey	2140 lm
PRA-10021-ME-W40-DI-06	PRAGUE 3 - PRA-10021 - 12 LED - 19.7 W - 140°x62° - 4000K - 1-10V - Bronze	2266 lm
PRA-10021-ME-W30-DI-06	PRAGUE 3 - PRA-10021 - 12 LED - 19.7 W - 140°x62° - 3000K - 1-10V - Bronze	2140 lm
PRA-10021-ME-W40-DI-02	PRAGUE 3 - PRA-10021 - 12 LED - 19.7 W - 140°x62° - 4000K - 1-10V - Dark Grey	2266 lm
PRA-10021-ME-W30-DI-02	PRAGUE 3 - PRA-10021 - 12 LED - 19.7 W - 140°x62° - 3000K - 1-10V - Dark Grey	2140 lm
PRA-10021-ME-W40-ND-06	PRAGUE 3 - PRA-10021 - 12 LED - 19.7 W - 140°x62° - 4000K - On/Off - Bronze	2266 lm
PRA-10021-ME-W30-ND-06	PRAGUE 3 - PRA-10021 - 12 LED - 19.7 W - 140°x62° - 3000K - On/Off - Bronze	2140 lm
PRA-10021-ME-W40-ND-05	PRAGUE 3 - PRA-10021 - 12 LED - 19.7 W - 140°x62° - 4000K - On/Off - Matt Silver	2266 lm
PRA-10021-ME-W30-ND-05	PRAGUE 3 - PRA-10021 - 12 LED - 19.7 W - 140°x62° - 3000K - On/Off - Matt Silver	2140 lm
PRA-10021-ME-W40-DI-05	PRAGUE 3 - PRA-10021 - 12 LED - 19.7 W - 140°x62° - 4000K - 1-10V - Matt Silver	2266 lm
PRA-10021-ME-W30-DI-05	PRAGUE 3 - PRA-10021 - 12 LED - 19.7 W - 140°x62° - 3000K - 1-10V - Matt Silver	2140 lm
PRA-10021-ME-W40-DA-05	PRAGUE 3 - PRA-10021 - 12 LED - 19.7 W - 140°x62° - 4000K - DALI - Matt Silver	2266 lm
PRA-10021-ME-W30-DA-05	PRAGUE 3 - PRA-10021 - 12 LED - 19.7 W - 140°x62° - 3000K - DALI - Matt Silver	2140 lm
PRA-10021-ME-W40-ND-03	PRAGUE 3 - PRA-10021 - 12 LED - 19.7 W - 140°x62° - 4000K - On/Off - White	2266 lm
PRA-10021-ME-W30-ND-03	PRAGUE 3 - PRA-10021 - 12 LED - 19.7 W - 140°x62° - 3000K - On/Off - White	2140 lm
PRA-10021-ME-W40-ND-01	PRAGUE 3 - PRA-10021 - 12 LED - 19.7 W - 140°x62° - 4000K - On/Off - Black	2266 lm
PRA-10021-ME-W30-ND-01	PRAGUE 3 - PRA-10021 - 12 LED - 19.7 W - 140°x62° - 3000K - On/Off - Black	2140 lm
PRA-10021-ME-W40-ND-02	PRAGUE 3 - PRA-10021 - 12 LED - 19.7 W - 140°x62° - 4000K - On/Off - Dark Grey	2266 lm
PRA-10021-ME-W30-ND-02	PRAGUE 3 - PRA-10021 - 12 LED - 19.7 W - 140°x62° - 3000K - On/Off - Dark Grey	2140 lm
PRA-10021-ME-W40-DA-06	PRAGUE 3 - PRA-10021 - 12 LED - 19.7 W - 140°x62° - 4000K - DALI - Bronze	2266 lm
PRA-10021-ME-W30-DA-06	PRAGUE 3 - PRA-10021 - 12 LED - 19.7 W - 140°x62° - 3000K - DALI - Bronze	2140 lm
PRA-10021-ME-W40-DI-03	PRAGUE 3 - PRA-10021 - 12 LED - 19.7 W - 140°x62° - 4000K - 1-10V - White	2266 lm
PRA-10021-ME-W30-DI-03	PRAGUE 3 - PRA-10021 - 12 LED - 19.7 W - 140°x62° - 3000K - 1-10V - White	2140 lm
PRA-10021-ME-W40-DA-01	PRAGUE 3 - PRA-10021 - 12 LED - 19.7 W - 140°x62° - 4000K - DALI - Black	2266 lm
PRA-10021-ME-W30-DA-01	PRAGUE 3 - PRA-10021 - 12 LED - 19.7 W - 140°x62° - 3000K - DALI - Black	2140 lm