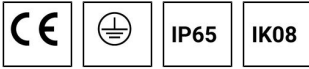


VEKTER 3 (VK-10001)

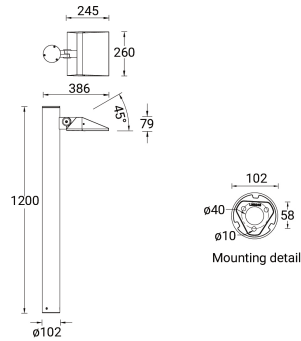


Структура светильника

- Корпус из литого алюминия и столб из экструдированного алюминия предварительно обработаны перед нанесением порошкового покрытия, что обеспечивает высокую коррозионную стойкость
- Одинарный кабельный ввод
- Крепеж из нержавеющей стали класса 316
- Прочный уплотнитель из силиконовой резины
- Высокоэффективная оптика из ПММА
- Встроенный механизм управления



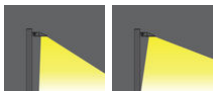
Vekter 3



Символ цвета



M W EW T2



T3 T4

Цвет товара



-05 Матовый серебряный RAL 9006
 -01 Черный RAL 9011
 -02 Тёмно-серый RAL 7043
 -03 Белый RAL 9003



-06 Бронзовый RAL 6014

Описание товара

Ø102 - 1200 mm - 1 side

Техническая информация

Лампа	12 LED
Тип лампы	LED
Тип диммирования	On/Off, DALI, 1-10V
ЕЕС	A++
Материал	Aluminium
Вес	7.5 kg

Светильник	
Мощность	20 W
Люмен	2148 - 2473 lm
Эффективность	107 - 124 lm/W
ССТ	4000K, 3000K
Ток возбуждения	500 mA
Оптика	M [31°], W [53°], EW [119°], T2 [144°x50°], T3 [139°x68°], T4 [97°x77°]

Мы оставляем за собой право вносить технические и конструктивные изменения.

10:00, 17-01-2020

<https://www.ligman.com/ru/vekte-3-vk-10001/>

Европа
 LIGMAN EUROPE s.r.o.
 VGP Park Ústí nad Labem
 P 2 120
 40317, Přestanov
 Czech Republic
 +420 477 071 500
sales.cz@ligman.com

Страны азиатско-тихоокеанского региона
 LIGMAN Lighting Co.,Ltd.
 17/2 Moo4 Monthong
 Bangnampreaw
 24150, Chachoengsao
 Thailand
 +66 2 108 6700
info@ligman.com

VEKTER 3 (VK-10001)**Аксессуары**



Anchor bolt
A10791

VEKTER 3 (VK-10001)

Variant reference	Variant name	Люмен (Светильник)
VK-10001-M-W40-ND-05	VEKTER 3 - VK-10001 - 12 LED - 20 W - 31° - 4000K - On/Off - Matt Silver	2446 lm
VK-10001-M-W30-ND-05	VEKTER 3 - VK-10001 - 12 LED - 20 W - 31° - 3000K - On/Off - Matt Silver	2286 lm
VK-10001-M-W40-ND-01	VEKTER 3 - VK-10001 - 12 LED - 20 W - 31° - 4000K - On/Off - Black	2446 lm
VK-10001-M-W30-ND-01	VEKTER 3 - VK-10001 - 12 LED - 20 W - 31° - 3000K - On/Off - Black	2286 lm
VK-10001-M-W40-DA-05	VEKTER 3 - VK-10001 - 12 LED - 20 W - 31° - 4000K - DALI - Matt Silver	2446 lm
VK-10001-M-W30-DA-05	VEKTER 3 - VK-10001 - 12 LED - 20 W - 31° - 3000K - DALI - Matt Silver	2286 lm
VK-10001-M-W40-DA-02	VEKTER 3 - VK-10001 - 12 LED - 20 W - 31° - 4000K - DALI - Dark Grey	2446 lm
VK-10001-M-W30-DA-02	VEKTER 3 - VK-10001 - 12 LED - 20 W - 31° - 3000K - DALI - Dark Grey	2286 lm
VK-10001-M-W40-DI-03	VEKTER 3 - VK-10001 - 12 LED - 20 W - 31° - 4000K - 1-10V - White	2446 lm
VK-10001-M-W30-DI-03	VEKTER 3 - VK-10001 - 12 LED - 20 W - 31° - 3000K - 1-10V - White	2286 lm
VK-10001-M-W40-ND-02	VEKTER 3 - VK-10001 - 12 LED - 20 W - 31° - 4000K - On/Off - Dark Grey	2446 lm
VK-10001-M-W30-ND-02	VEKTER 3 - VK-10001 - 12 LED - 20 W - 31° - 3000K - On/Off - Dark Grey	2286 lm
VK-10001-M-W40-DI-06	VEKTER 3 - VK-10001 - 12 LED - 20 W - 31° - 4000K - 1-10V - Bronze	2446 lm
VK-10001-M-W30-DI-06	VEKTER 3 - VK-10001 - 12 LED - 20 W - 31° - 3000K - 1-10V - Bronze	2286 lm
VK-10001-M-W40-DA-03	VEKTER 3 - VK-10001 - 12 LED - 20 W - 31° - 4000K - DALI - White	2446 lm
VK-10001-M-W30-DA-03	VEKTER 3 - VK-10001 - 12 LED - 20 W - 31° - 3000K - DALI - White	2286 lm
VK-10001-M-W40-ND-06	VEKTER 3 - VK-10001 - 12 LED - 20 W - 31° - 4000K - On/Off - Bronze	2446 lm
VK-10001-M-W30-ND-06	VEKTER 3 - VK-10001 - 12 LED - 20 W - 31° - 3000K - On/Off - Bronze	2286 lm
VK-10001-M-W40-DA-06	VEKTER 3 - VK-10001 - 12 LED - 20 W - 31° - 4000K - DALI - Bronze	2446 lm
VK-10001-M-W30-DA-06	VEKTER 3 - VK-10001 - 12 LED - 20 W - 31° - 3000K - DALI - Bronze	2286 lm
VK-10001-M-W40-DI-05	VEKTER 3 - VK-10001 - 12 LED - 20 W - 31° - 4000K - 1-10V - Matt Silver	2446 lm
VK-10001-M-W30-DI-05	VEKTER 3 - VK-10001 - 12 LED - 20 W - 31° - 3000K - 1-10V - Matt Silver	2286 lm
VK-10001-M-W40-DI-02	VEKTER 3 - VK-10001 - 12 LED - 20 W - 31° - 4000K - 1-10V - Dark Grey	2446 lm
VK-10001-M-W30-DI-02	VEKTER 3 - VK-10001 - 12 LED - 20 W - 31° - 3000K - 1-10V - Dark Grey	2286 lm
VK-10001-M-W40-ND-03	VEKTER 3 - VK-10001 - 12 LED - 20 W - 31° - 4000K - On/Off - White	2446 lm
VK-10001-M-W30-ND-03	VEKTER 3 - VK-10001 - 12 LED - 20 W - 31° - 3000K - On/Off - White	2286 lm
VK-10001-M-W40-DI-01	VEKTER 3 - VK-10001 - 12 LED - 20 W - 31° - 4000K - 1-10V - Black	2446 lm
VK-10001-M-W30-DI-01	VEKTER 3 - VK-10001 - 12 LED - 20 W - 31° - 3000K - 1-10V - Black	2286 lm
VK-10001-M-W40-DA-01	VEKTER 3 - VK-10001 - 12 LED - 20 W - 31° - 4000K - DALI - Black	2446 lm
VK-10001-M-W30-DA-01	VEKTER 3 - VK-10001 - 12 LED - 20 W - 31° - 3000K - DALI - Black	2286 lm
VK-10001-W-W30-DI-05	VEKTER 3 - VK-10001 - 12 LED - 20 W - 53° - 3000K - 1-10V - Matt Silver	2299 lm
VK-10001-W-W40-DI-05	VEKTER 3 - VK-10001 - 12 LED - 20 W - 53° - 4000K - 1-10V - Matt Silver	2460 lm
VK-10001-W-W30-DI-06	VEKTER 3 - VK-10001 - 12 LED - 20 W - 53° - 3000K - 1-10V - Bronze	2299 lm
VK-10001-W-W40-DI-06	VEKTER 3 - VK-10001 - 12 LED - 20 W - 53° - 4000K - 1-10V - Bronze	2460 lm
VK-10001-W-W30-DI-03	VEKTER 3 - VK-10001 - 12 LED - 20 W - 53° - 3000K - 1-10V - White	2299 lm
VK-10001-W-W40-DI-03	VEKTER 3 - VK-10001 - 12 LED - 20 W - 53° - 4000K - 1-10V - White	2460 lm
VK-10001-W-W30-DA-05	VEKTER 3 - VK-10001 - 12 LED - 20 W - 53° - 3000K - DALI - Matt Silver	2299 lm
VK-10001-W-W40-DA-05	VEKTER 3 - VK-10001 - 12 LED - 20 W - 53° - 4000K - DALI - Matt Silver	2460 lm
VK-10001-W-W30-DI-01	VEKTER 3 - VK-10001 - 12 LED - 20 W - 53° - 3000K - 1-10V - Black	2299 lm
VK-10001-W-W40-DI-01	VEKTER 3 - VK-10001 - 12 LED - 20 W - 53° - 4000K - 1-10V - Black	2460 lm
VK-10001-W-W30-DA-03	VEKTER 3 - VK-10001 - 12 LED - 20 W - 53° - 3000K - DALI - White	2299 lm
VK-10001-W-W40-DA-03	VEKTER 3 - VK-10001 - 12 LED - 20 W - 53° - 4000K - DALI - White	2460 lm
VK-10001-W-W30-DA-06	VEKTER 3 - VK-10001 - 12 LED - 20 W - 53° - 3000K - DALI - Bronze	2299 lm
VK-10001-W-W40-DA-06	VEKTER 3 - VK-10001 - 12 LED - 20 W - 53° - 4000K - DALI - Bronze	2460 lm
VK-10001-W-W30-DA-01	VEKTER 3 - VK-10001 - 12 LED - 20 W - 53° - 3000K - DALI - Black	2299 lm
VK-10001-W-W40-DA-01	VEKTER 3 - VK-10001 - 12 LED - 20 W - 53° - 4000K - DALI - Black	2460 lm
VK-10001-W-W30-ND-03	VEKTER 3 - VK-10001 - 12 LED - 20 W - 53° - 3000K - On/Off - White	2299 lm
VK-10001-W-W40-ND-03	VEKTER 3 - VK-10001 - 12 LED - 20 W - 53° - 4000K - On/Off - White	2460 lm
VK-10001-W-W30-ND-05	VEKTER 3 - VK-10001 - 12 LED - 20 W - 53° - 3000K - On/Off - Matt Silver	2299 lm
VK-10001-W-W40-ND-05	VEKTER 3 - VK-10001 - 12 LED - 20 W - 53° - 4000K - On/Off - Matt Silver	2460 lm
VK-10001-W-W30-ND-01	VEKTER 3 - VK-10001 - 12 LED - 20 W - 53° - 3000K - On/Off - Black	2299 lm
VK-10001-W-W40-ND-01	VEKTER 3 - VK-10001 - 12 LED - 20 W - 53° - 4000K - On/Off - Black	2460 lm
VK-10001-W-W30-ND-02	VEKTER 3 - VK-10001 - 12 LED - 20 W - 53° - 3000K - On/Off - Dark Grey	2299 lm
VK-10001-W-W40-ND-02	VEKTER 3 - VK-10001 - 12 LED - 20 W - 53° - 4000K - On/Off - Dark Grey	2460 lm
VK-10001-W-W30-DA-02	VEKTER 3 - VK-10001 - 12 LED - 20 W - 53° - 3000K - DALI - Dark Grey	2299 lm
VK-10001-W-W40-DA-02	VEKTER 3 - VK-10001 - 12 LED - 20 W - 53° - 4000K - DALI - Dark Grey	2460 lm
VK-10001-W-W30-ND-06	VEKTER 3 - VK-10001 - 12 LED - 20 W - 53° - 3000K - On/Off - Bronze	2299 lm
VK-10001-W-W40-ND-06	VEKTER 3 - VK-10001 - 12 LED - 20 W - 53° - 4000K - On/Off - Bronze	2460 lm

VEKTER 3 (VK-10001)

VK-10001-W-W30-DI-02	VEKTER 3 - VK-10001 - 12 LED - 20 W - 53° - 3000K - 1-10V - Dark Grey	2299 lm
VK-10001-W-W40-DI-02	VEKTER 3 - VK-10001 - 12 LED - 20 W - 53° - 4000K - 1-10V - Dark Grey	2460 lm
VK-10001-EW-W40-ND-02	VEKTER 3 - VK-10001 - 12 LED - 20 W - 119° - 4000K - On/Off - Dark Grey	2473 lm
VK-10001-EW-W30-ND-02	VEKTER 3 - VK-10001 - 12 LED - 20 W - 119° - 3000K - On/Off - Dark Grey	2312 lm
VK-10001-EW-W40-DA-05	VEKTER 3 - VK-10001 - 12 LED - 20 W - 119° - 4000K - DALI - Matt Silver	2473 lm
VK-10001-EW-W30-DA-05	VEKTER 3 - VK-10001 - 12 LED - 20 W - 119° - 3000K - DALI - Matt Silver	2312 lm
VK-10001-EW-W40-ND-01	VEKTER 3 - VK-10001 - 12 LED - 20 W - 119° - 4000K - On/Off - Black	2473 lm
VK-10001-EW-W30-ND-01	VEKTER 3 - VK-10001 - 12 LED - 20 W - 119° - 3000K - On/Off - Black	2312 lm
VK-10001-EW-W40-DI-05	VEKTER 3 - VK-10001 - 12 LED - 20 W - 119° - 4000K - 1-10V - Matt Silver	2473 lm
VK-10001-EW-W30-DI-05	VEKTER 3 - VK-10001 - 12 LED - 20 W - 119° - 3000K - 1-10V - Matt Silver	2312 lm
VK-10001-EW-W40-ND-06	VEKTER 3 - VK-10001 - 12 LED - 20 W - 119° - 4000K - On/Off - Bronze	2473 lm
VK-10001-EW-W30-ND-06	VEKTER 3 - VK-10001 - 12 LED - 20 W - 119° - 3000K - On/Off - Bronze	2312 lm
VK-10001-EW-W40-DI-03	VEKTER 3 - VK-10001 - 12 LED - 20 W - 119° - 4000K - 1-10V - White	2473 lm
VK-10001-EW-W30-DI-03	VEKTER 3 - VK-10001 - 12 LED - 20 W - 119° - 3000K - 1-10V - White	2312 lm
VK-10001-EW-W40-DA-06	VEKTER 3 - VK-10001 - 12 LED - 20 W - 119° - 4000K - DALI - Bronze	2473 lm
VK-10001-EW-W30-DA-06	VEKTER 3 - VK-10001 - 12 LED - 20 W - 119° - 3000K - DALI - Bronze	2312 lm
VK-10001-EW-W40-ND-05	VEKTER 3 - VK-10001 - 12 LED - 20 W - 119° - 4000K - On/Off - Matt Silver	2473 lm
VK-10001-EW-W30-ND-05	VEKTER 3 - VK-10001 - 12 LED - 20 W - 119° - 3000K - On/Off - Matt Silver	2312 lm
VK-10001-EW-W40-DI-01	VEKTER 3 - VK-10001 - 12 LED - 20 W - 119° - 4000K - 1-10V - Black	2473 lm
VK-10001-EW-W30-DI-01	VEKTER 3 - VK-10001 - 12 LED - 20 W - 119° - 3000K - 1-10V - Black	2312 lm
VK-10001-EW-W40-DA-03	VEKTER 3 - VK-10001 - 12 LED - 20 W - 119° - 4000K - DALI - White	2473 lm
VK-10001-EW-W30-DA-03	VEKTER 3 - VK-10001 - 12 LED - 20 W - 119° - 3000K - DALI - White	2312 lm
VK-10001-EW-W40-ND-03	VEKTER 3 - VK-10001 - 12 LED - 20 W - 119° - 4000K - On/Off - White	2473 lm
VK-10001-EW-W30-ND-03	VEKTER 3 - VK-10001 - 12 LED - 20 W - 119° - 3000K - On/Off - White	2312 lm
VK-10001-EW-W40-DI-06	VEKTER 3 - VK-10001 - 12 LED - 20 W - 119° - 4000K - 1-10V - Bronze	2473 lm
VK-10001-EW-W30-DI-06	VEKTER 3 - VK-10001 - 12 LED - 20 W - 119° - 3000K - 1-10V - Bronze	2312 lm
VK-10001-EW-W40-DA-02	VEKTER 3 - VK-10001 - 12 LED - 20 W - 119° - 4000K - DALI - Dark Grey	2473 lm
VK-10001-EW-W30-DA-02	VEKTER 3 - VK-10001 - 12 LED - 20 W - 119° - 3000K - DALI - Dark Grey	2312 lm
VK-10001-EW-W40-DA-01	VEKTER 3 - VK-10001 - 12 LED - 20 W - 119° - 4000K - DALI - Black	2473 lm
VK-10001-EW-W30-DA-01	VEKTER 3 - VK-10001 - 12 LED - 20 W - 119° - 3000K - DALI - Black	2312 lm
VK-10001-EW-W40-DI-02	VEKTER 3 - VK-10001 - 12 LED - 20 W - 119° - 4000K - 1-10V - Dark Grey	2473 lm
VK-10001-EW-W30-DI-02	VEKTER 3 - VK-10001 - 12 LED - 20 W - 119° - 3000K - 1-10V - Dark Grey	2312 lm
VK-10001-T2-W30-ND-01	VEKTER 3 - VK-10001 - 12 LED - 20 W - 144°x50° - 3000K - On/Off - Black	2159 lm
VK-10001-T2-W40-ND-01	VEKTER 3 - VK-10001 - 12 LED - 20 W - 144°x50° - 4000K - On/Off - Black	2310 lm
VK-10001-T2-W30-DA-05	VEKTER 3 - VK-10001 - 12 LED - 20 W - 144°x50° - 3000K - DALI - Matt Silver	2159 lm
VK-10001-T2-W40-DA-05	VEKTER 3 - VK-10001 - 12 LED - 20 W - 144°x50° - 4000K - DALI - Matt Silver	2310 lm
VK-10001-T2-W30-ND-06	VEKTER 3 - VK-10001 - 12 LED - 20 W - 144°x50° - 3000K - On/Off - Bronze	2159 lm
VK-10001-T2-W40-ND-06	VEKTER 3 - VK-10001 - 12 LED - 20 W - 144°x50° - 4000K - On/Off - Bronze	2310 lm
VK-10001-T2-W30-DA-02	VEKTER 3 - VK-10001 - 12 LED - 20 W - 144°x50° - 3000K - DALI - Dark Grey	2159 lm
VK-10001-T2-W40-DA-02	VEKTER 3 - VK-10001 - 12 LED - 20 W - 144°x50° - 4000K - DALI - Dark Grey	2310 lm
VK-10001-T2-W30-DA-06	VEKTER 3 - VK-10001 - 12 LED - 20 W - 144°x50° - 3000K - DALI - Bronze	2159 lm
VK-10001-T2-W40-DA-06	VEKTER 3 - VK-10001 - 12 LED - 20 W - 144°x50° - 4000K - DALI - Bronze	2310 lm
VK-10001-T2-W30-ND-02	VEKTER 3 - VK-10001 - 12 LED - 20 W - 144°x50° - 3000K - On/Off - Dark Grey	2159 lm
VK-10001-T2-W40-ND-02	VEKTER 3 - VK-10001 - 12 LED - 20 W - 144°x50° - 4000K - On/Off - Dark Grey	2310 lm
VK-10001-T2-W30-ND-05	VEKTER 3 - VK-10001 - 12 LED - 20 W - 144°x50° - 3000K - On/Off - Matt Silver	2159 lm
VK-10001-T2-W40-ND-05	VEKTER 3 - VK-10001 - 12 LED - 20 W - 144°x50° - 4000K - On/Off - Matt Silver	2310 lm
VK-10001-T2-W30-ND-03	VEKTER 3 - VK-10001 - 12 LED - 20 W - 144°x50° - 3000K - On/Off - White	2159 lm
VK-10001-T2-W40-ND-03	VEKTER 3 - VK-10001 - 12 LED - 20 W - 144°x50° - 4000K - On/Off - White	2310 lm
VK-10001-T2-W30-DA-03	VEKTER 3 - VK-10001 - 12 LED - 20 W - 144°x50° - 3000K - DALI - White	2159 lm
VK-10001-T2-W40-DA-03	VEKTER 3 - VK-10001 - 12 LED - 20 W - 144°x50° - 4000K - DALI - White	2310 lm
VK-10001-T2-W30-DI-02	VEKTER 3 - VK-10001 - 12 LED - 20 W - 144°x50° - 3000K - 1-10V - Dark Grey	2159 lm
VK-10001-T2-W40-DI-02	VEKTER 3 - VK-10001 - 12 LED - 20 W - 144°x50° - 4000K - 1-10V - Dark Grey	2310 lm
VK-10001-T2-W30-DA-01	VEKTER 3 - VK-10001 - 12 LED - 20 W - 144°x50° - 3000K - DALI - Black	2159 lm
VK-10001-T2-W40-DA-01	VEKTER 3 - VK-10001 - 12 LED - 20 W - 144°x50° - 4000K - DALI - Black	2310 lm
VK-10001-T2-W30-DI-01	VEKTER 3 - VK-10001 - 12 LED - 20 W - 144°x50° - 3000K - 1-10V - Black	2159 lm
VK-10001-T2-W40-DI-01	VEKTER 3 - VK-10001 - 12 LED - 20 W - 144°x50° - 4000K - 1-10V - Black	2310 lm
VK-10001-T2-W30-DI-05	VEKTER 3 - VK-10001 - 12 LED - 20 W - 144°x50° - 3000K - 1-10V - Matt Silver	2159 lm
VK-10001-T2-W40-DI-05	VEKTER 3 - VK-10001 - 12 LED - 20 W - 144°x50° - 4000K - 1-10V - Matt Silver	2310 lm
VK-10001-T2-W30-DI-06	VEKTER 3 - VK-10001 - 12 LED - 20 W - 144°x50° - 3000K - 1-10V - Bronze	2159 lm

VEKTER 3 (VK-10001)

VK-10001-T2-W40-DI-06	VEKTER 3 - VK-10001 - 12 LED - 20 W - 144°x50° - 4000K - 1-10V - Bronze	2310 lm
VK-10001-T2-W30-DI-03	VEKTER 3 - VK-10001 - 12 LED - 20 W - 144°x50° - 3000K - 1-10V - White	2159 lm
VK-10001-T2-W40-DI-03	VEKTER 3 - VK-10001 - 12 LED - 20 W - 144°x50° - 4000K - 1-10V - White	2310 lm
VK-10001-T3-W30-DI-01	VEKTER 3 - VK-10001 - 12 LED - 20 W - 139°x68° - 3000K - 1-10V - Black	2148 lm
VK-10001-T3-W40-DI-01	VEKTER 3 - VK-10001 - 12 LED - 20 W - 139°x68° - 4000K - 1-10V - Black	2298 lm
VK-10001-T3-W30-DA-05	VEKTER 3 - VK-10001 - 12 LED - 20 W - 139°x68° - 3000K - DALI - Matt Silver	2148 lm
VK-10001-T3-W40-DA-05	VEKTER 3 - VK-10001 - 12 LED - 20 W - 139°x68° - 4000K - DALI - Matt Silver	2298 lm
VK-10001-T3-W30-ND-05	VEKTER 3 - VK-10001 - 12 LED - 20 W - 139°x68° - 3000K - On/Off - Matt Silver	2148 lm
VK-10001-T3-W40-ND-05	VEKTER 3 - VK-10001 - 12 LED - 20 W - 139°x68° - 4000K - On/Off - Matt Silver	2298 lm
VK-10001-T3-W30-DA-03	VEKTER 3 - VK-10001 - 12 LED - 20 W - 139°x68° - 3000K - DALI - White	2148 lm
VK-10001-T3-W40-DA-03	VEKTER 3 - VK-10001 - 12 LED - 20 W - 139°x68° - 4000K - DALI - White	2298 lm
VK-10001-T3-W30-ND-02	VEKTER 3 - VK-10001 - 12 LED - 20 W - 139°x68° - 3000K - On/Off - Dark Grey	2148 lm
VK-10001-T3-W40-ND-02	VEKTER 3 - VK-10001 - 12 LED - 20 W - 139°x68° - 4000K - On/Off - Dark Grey	2298 lm
VK-10001-T3-W30-DI-06	VEKTER 3 - VK-10001 - 12 LED - 20 W - 139°x68° - 3000K - 1-10V - Bronze	2148 lm
VK-10001-T3-W40-DI-06	VEKTER 3 - VK-10001 - 12 LED - 20 W - 139°x68° - 4000K - 1-10V - Bronze	2298 lm
VK-10001-T3-W30-ND-06	VEKTER 3 - VK-10001 - 12 LED - 20 W - 139°x68° - 3000K - On/Off - Bronze	2148 lm
VK-10001-T3-W40-ND-06	VEKTER 3 - VK-10001 - 12 LED - 20 W - 139°x68° - 4000K - On/Off - Bronze	2298 lm
VK-10001-T3-W30-DI-03	VEKTER 3 - VK-10001 - 12 LED - 20 W - 139°x68° - 3000K - 1-10V - White	2148 lm
VK-10001-T3-W40-DI-03	VEKTER 3 - VK-10001 - 12 LED - 20 W - 139°x68° - 4000K - 1-10V - White	2298 lm
VK-10001-T3-W30-ND-01	VEKTER 3 - VK-10001 - 12 LED - 20 W - 139°x68° - 3000K - On/Off - Black	2148 lm
VK-10001-T3-W40-ND-01	VEKTER 3 - VK-10001 - 12 LED - 20 W - 139°x68° - 4000K - On/Off - Black	2298 lm
VK-10001-T3-W30-DA-06	VEKTER 3 - VK-10001 - 12 LED - 20 W - 139°x68° - 3000K - DALI - Bronze	2148 lm
VK-10001-T3-W40-DA-06	VEKTER 3 - VK-10001 - 12 LED - 20 W - 139°x68° - 4000K - DALI - Bronze	2298 lm
VK-10001-T3-W30-DA-01	VEKTER 3 - VK-10001 - 12 LED - 20 W - 139°x68° - 3000K - DALI - Black	2148 lm
VK-10001-T3-W40-DA-01	VEKTER 3 - VK-10001 - 12 LED - 20 W - 139°x68° - 4000K - DALI - Black	2298 lm
VK-10001-T3-W30-DA-02	VEKTER 3 - VK-10001 - 12 LED - 20 W - 139°x68° - 3000K - DALI - Dark Grey	2148 lm
VK-10001-T3-W40-DA-02	VEKTER 3 - VK-10001 - 12 LED - 20 W - 139°x68° - 4000K - DALI - Dark Grey	2298 lm
VK-10001-T3-W30-DI-05	VEKTER 3 - VK-10001 - 12 LED - 20 W - 139°x68° - 3000K - 1-10V - Matt Silver	2148 lm
VK-10001-T3-W40-DI-05	VEKTER 3 - VK-10001 - 12 LED - 20 W - 139°x68° - 4000K - 1-10V - Matt Silver	2298 lm
VK-10001-T3-W30-DI-02	VEKTER 3 - VK-10001 - 12 LED - 20 W - 139°x68° - 3000K - 1-10V - Dark Grey	2148 lm
VK-10001-T3-W40-DI-02	VEKTER 3 - VK-10001 - 12 LED - 20 W - 139°x68° - 4000K - 1-10V - Dark Grey	2298 lm
VK-10001-T3-W30-ND-03	VEKTER 3 - VK-10001 - 12 LED - 20 W - 139°x68° - 3000K - On/Off - White	2148 lm
VK-10001-T3-W40-ND-03	VEKTER 3 - VK-10001 - 12 LED - 20 W - 139°x68° - 4000K - On/Off - White	2298 lm
VK-10001-T4-W40-DA-01	VEKTER 3 - VK-10001 - 12 LED - 20 W - 97°x77° - 4000K - DALI - Black	2303 lm
VK-10001-T4-W30-DA-01	VEKTER 3 - VK-10001 - 12 LED - 20 W - 97°x77° - 3000K - DALI - Black	2153 lm
VK-10001-T4-W40-ND-05	VEKTER 3 - VK-10001 - 12 LED - 20 W - 97°x77° - 4000K - On/Off - Matt Silver	2303 lm
VK-10001-T4-W30-ND-05	VEKTER 3 - VK-10001 - 12 LED - 20 W - 97°x77° - 3000K - On/Off - Matt Silver	2153 lm
VK-10001-T4-W40-DI-01	VEKTER 3 - VK-10001 - 12 LED - 20 W - 97°x77° - 4000K - 1-10V - Black	2303 lm
VK-10001-T4-W30-DI-01	VEKTER 3 - VK-10001 - 12 LED - 20 W - 97°x77° - 3000K - 1-10V - Black	2153 lm
VK-10001-T4-W40-DA-03	VEKTER 3 - VK-10001 - 12 LED - 20 W - 97°x77° - 4000K - DALI - White	2303 lm
VK-10001-T4-W30-DA-03	VEKTER 3 - VK-10001 - 12 LED - 20 W - 97°x77° - 3000K - DALI - White	2153 lm
VK-10001-T4-W40-DI-06	VEKTER 3 - VK-10001 - 12 LED - 20 W - 97°x77° - 4000K - 1-10V - Bronze	2303 lm
VK-10001-T4-W30-DI-06	VEKTER 3 - VK-10001 - 12 LED - 20 W - 97°x77° - 3000K - 1-10V - Bronze	2153 lm
VK-10001-T4-W40-ND-02	VEKTER 3 - VK-10001 - 12 LED - 20 W - 97°x77° - 4000K - On/Off - Dark Grey	2303 lm
VK-10001-T4-W30-ND-02	VEKTER 3 - VK-10001 - 12 LED - 20 W - 97°x77° - 3000K - On/Off - Dark Grey	2153 lm
VK-10001-T4-W40-DA-02	VEKTER 3 - VK-10001 - 12 LED - 20 W - 97°x77° - 4000K - DALI - Dark Grey	2303 lm
VK-10001-T4-W30-DA-02	VEKTER 3 - VK-10001 - 12 LED - 20 W - 97°x77° - 3000K - DALI - Dark Grey	2153 lm
VK-10001-T4-W40-DA-06	VEKTER 3 - VK-10001 - 12 LED - 20 W - 97°x77° - 4000K - DALI - Bronze	2303 lm
VK-10001-T4-W30-DA-06	VEKTER 3 - VK-10001 - 12 LED - 20 W - 97°x77° - 3000K - DALI - Bronze	2153 lm
VK-10001-T4-W40-DI-02	VEKTER 3 - VK-10001 - 12 LED - 20 W - 97°x77° - 4000K - 1-10V - Dark Grey	2303 lm
VK-10001-T4-W30-DI-02	VEKTER 3 - VK-10001 - 12 LED - 20 W - 97°x77° - 3000K - 1-10V - Dark Grey	2153 lm
VK-10001-T4-W40-ND-06	VEKTER 3 - VK-10001 - 12 LED - 20 W - 97°x77° - 4000K - On/Off - Bronze	2303 lm
VK-10001-T4-W30-ND-06	VEKTER 3 - VK-10001 - 12 LED - 20 W - 97°x77° - 3000K - On/Off - Bronze	2153 lm
VK-10001-T4-W40-DA-05	VEKTER 3 - VK-10001 - 12 LED - 20 W - 97°x77° - 4000K - DALI - Matt Silver	2303 lm
VK-10001-T4-W30-DA-05	VEKTER 3 - VK-10001 - 12 LED - 20 W - 97°x77° - 3000K - DALI - Matt Silver	2153 lm
VK-10001-T4-W40-ND-01	VEKTER 3 - VK-10001 - 12 LED - 20 W - 97°x77° - 4000K - On/Off - Black	2303 lm
VK-10001-T4-W30-ND-01	VEKTER 3 - VK-10001 - 12 LED - 20 W - 97°x77° - 3000K - On/Off - Black	2153 lm
VK-10001-T4-W40-DI-05	VEKTER 3 - VK-10001 - 12 LED - 20 W - 97°x77° - 4000K - 1-10V - Matt Silver	2303 lm
VK-10001-T4-W30-DI-05	VEKTER 3 - VK-10001 - 12 LED - 20 W - 97°x77° - 3000K - 1-10V - Matt Silver	2153 lm

Мы оставляем за собой право вносить технические и конструктивные изменения.

10:00, 17-01-2020

<https://www.ligman.com/ru/vekker-3-vk-10001/>

Европа
LIGMAN EUROPE s.r.o.
VGP Park Ústí nad Labem
P 2 120
40317, Přestanov
Czech Republic
+420 477 071 500
sales.cz@ligman.com

Страны азиатско-тихоокеанского региона
LIGMAN Lighting Co.,Ltd.
17/2 Moo4 Monthong
Bangnampreaw
24150, Chachoengsao
Thailand
+66 2 108 6700
info@ligman.com

VEKTER 3 (VK-10001)

VK-10001-T4-W40-DI-03	VEKTER 3 - VK-10001 - 12 LED - 20 W - 97°x77° - 4000K - 1-10V - White	2303 lm
VK-10001-T4-W30-DI-03	VEKTER 3 - VK-10001 - 12 LED - 20 W - 97°x77° - 3000K - 1-10V - White	2153 lm
VK-10001-T4-W40-ND-03	VEKTER 3 - VK-10001 - 12 LED - 20 W - 97°x77° - 4000K - On/Off - White	2303 lm
VK-10001-T4-W30-ND-03	VEKTER 3 - VK-10001 - 12 LED - 20 W - 97°x77° - 3000K - On/Off - White	2153 lm